



Photoelectric sensors
W12 Teflon, Through-beam photoelectric sensor

WSE12-3P2411T01



Model Name > [WSE12-3P2411T01](#)
Part No. > [1041465](#)



Illustration may differ

At a glance

- Best-in-class optical performance due to superior OES technology
- Autocollimation in retro-reflective sensors
- Background and foreground suppression with second emitter LED in proximity sensors
- Highly visible, bright, precise light spot
- Rugged metal housing, optional with Teflon® coating
- Connection via cable or rotatable connector
- Mounting options with through holes, base blind holes, oblong through holes and dovetail
- IO-Link communication available (optional)

Your benefits

Reliable detection due to superior ASIC (application-specific integrated circuit) technology and immunity to optical interference factors from the industrial environment

PinPoint LED technology for a bright, small and precise light spot, enabling quick and easy sensor alignment

Precise switching characteristics ensure reliable object detection, reducing downtime caused by re-adjusting sensors during recipe changes

Quick and easy setup due to highly visible status LEDs

Wide range of products enclosed in a rugged metal housing enables application flexibility in a broad range of industrial environments

Uniform design for entire product family regardless of connection, which ensures simple machine integration

Quick and easy mounting due to several mounting options

Easy installation using SICK accessories



Features

Sensor/detection principle:	Through-beam photoelectric sensor
Dimensions (W x H x D):	15.6 mm x 48.5 mm x 42 mm
Housing design (light emission):	Rectangular
Sensing range max.:	0 m ... 20 m
Sensing range:	0 m ... 15 m

Type of light:	Infrared light
Light source:	LED ¹⁾
Wave length:	880 nm
Angle of dispersion:	Ca. 1.5 °
Special features:	IR sender, Teflon coated housing
Adjustment:	Potentiometer, 5 turns
Light spot size (distance):	Ø 220 mm (15 m)

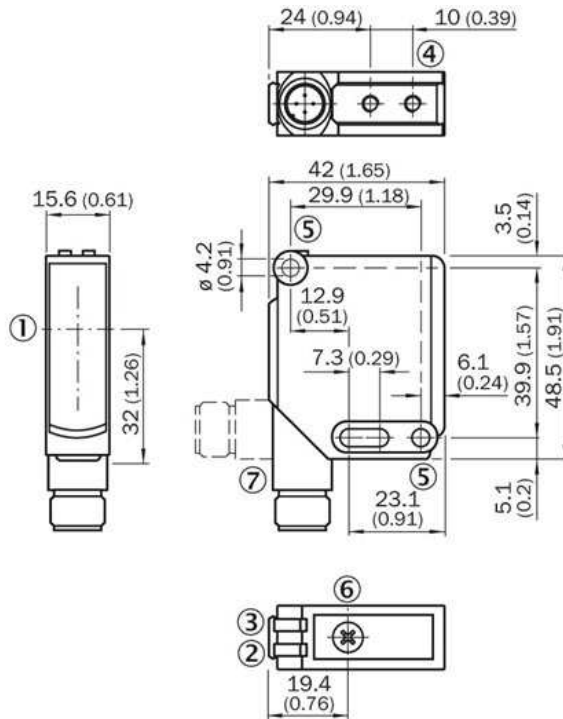
¹⁾ Average service life of 100,000 h at $T_A = +25\text{ °C}$

Mechanics/electronics

Supply voltage:	10 V DC ... 30 V DC ¹⁾
Ripple:	$\leq 5\text{ Vpp}$ ²⁾
Power consumption, sender:	$\leq 30\text{ mA}$ ³⁾
Power consumption, receiver:	$\leq 15\text{ mA}$ ⁴⁾
Output type:	PNP
Output function:	Complementary
Switching mode:	Light/dark switching
Signal voltage PNP HIGH/LOW:	$> U_v - 2,5\text{ V} / \text{ca. } 0\text{ V}$
Output current I _{max.} :	100 mA
Response time:	$\leq 330\text{ }\mu\text{s}$ ⁵⁾
Switching frequency:	1,500 Hz ⁶⁾
Connection type:	Connector M12, 4-pin
Circuit protection:::	A, C, D ^{7) 8) 9)}
Protection class:	II
Weight:	120 g
Housing material:	PTFE
Enclosure rating:	IP 66 IP 67 IP 69K
Test input sender off:	TE to 0 V
Ambient operating temperature:	-40 °C ... 60 °C
Ambient storage temperature:	-40 °C ... 75 °C
Part number of individual components:	Receiver, WE12-3P2411T01, 2046740, Sender, WS12-3D2410T01, 2047323
UL File No.:	NRKH.E181493 & NRKH7.E181493

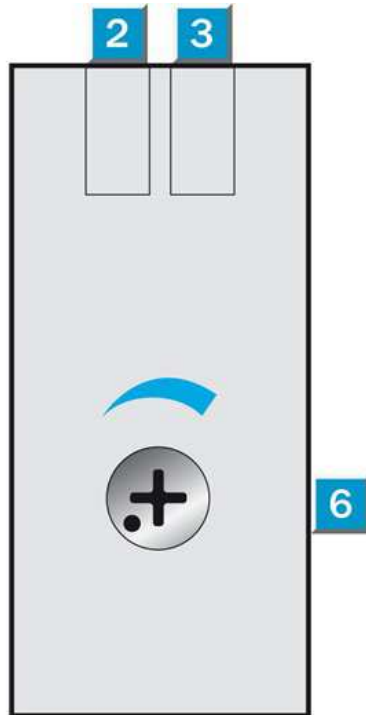
¹⁾ Limit values, operation in short-circuit protected network max. 8 A ²⁾ May not exceed or fall short of V_S tolerances ^{3) 4)} Without load ⁵⁾ Signal transit time with resistive load ⁶⁾ With light/dark ratio 1:1 ⁷⁾ $A = V_S$ connections reverse-polarity protected ⁸⁾ C = interference suppression ⁹⁾ D = outputs overcurrent and short-circuit protected

Dimensional drawing



- |1| Optical axis
- |2| LED indicator yellow: Light received
- |3| Green LED indicator: supply voltage active
- |4| M4 threaded mounting hole, 4 mm deep
- |5| Mounting hole, \varnothing 4.2 mm
- |6| Sensitivity adjustment: poti
- |7| Connection

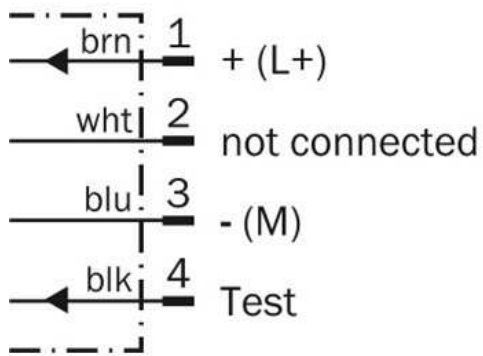
Adjustments possible



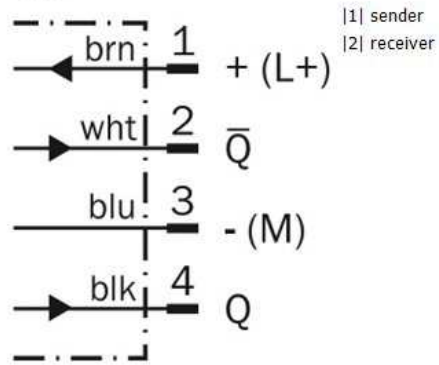
- |2| LED indicator yellow: Light received
- |3| Green LED indicator: supply voltage active
- |6| Sensitivity adjustment: poti

Connection diagram

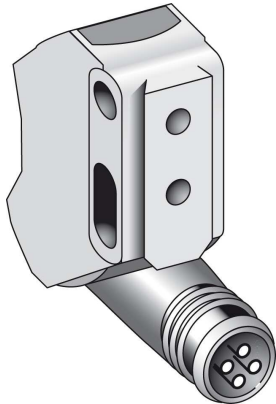
①



②



Connection type



Australia

Phone +61 3 9457 0600
1800 33 48 02 – tollfree
E-Mail sales@sick.com.au

Belgium/Luxembourg

Phone +32 (0)2 466 55 66
E-Mail info@sick.be

Brasil

Phone +55 11 3215-4900
E-Mail marketing@sick.com.br

Canada

Phone +1 905 771 14 44
E-Mail information@sick.com

Česká republika

Phone +420 2 57 91 18 50
E-Mail sick@sick.cz

China

Phone +86 4000 121 000
E-Mail info.china@sick.net.cn
Phone +852-2153 6300
E-Mail ghk@sick.com.hk

Danmark

Phone +45 45 82 64 00
E-Mail sick@sick.dk

Deutschland

Phone +49 211 5301-301
E-Mail info@sick.de

España

Phone +34 93 480 31 00
E-Mail info@sick.es

France

Phone +33 1 64 62 35 00
E-Mail info@sick.fr

Great Britain

Phone +44 (0)1727 831121
E-Mail info@sick.co.uk

India

Phone +91-22-4033 8333
E-Mail info@sick-india.com

Israel

Phone +972-4-6881000
E-Mail info@sick-sensors.com

Italia

Phone +39 02 27 43 41
E-Mail info@sick.it

Japan

Phone +81 (0)3 5309 2112
E-Mail support@sick.jp

Magyarország

Phone +36 1 371 2680
E-Mail office@sick.hu

Nederland

Phone +31 (0)30 229 25 44
E-Mail info@sick.nl

Norge

Phone +47 67 81 50 00
E-Mail sick@sick.no

Österreich

Phone +43 (0)22 36 62 28 8-0
E-Mail office@sick.at

Polska

Phone +48 22 837 40 50
E-Mail info@sick.pl

România

Phone +40 356 171 120
E-Mail office@sick.ro

Russia

Phone +7-495-775-05-30
E-Mail info@sick.ru

Schweiz

Phone +41 41 619 29 39
E-Mail contact@sick.ch

Singapore

Phone +65 6744 3732
E-Mail sales.gsg@sick.com

Slovenija

Phone +386 (0)1-47 69 990
E-Mail office@sick.si

South Africa

Phone +27 11 472 3733
E-Mail info@sickautomation.co.za

South Korea

Phone +82 2 786 6321/4
E-Mail info@sickkorea.net

Suomi

Phone +358-9-25 15 800
E-Mail sick@sick.fi

Sverige

Phone +46 10 110 10 00
E-Mail info@sick.se

Taiwan

Phone +886 2 2375-6288
E-Mail sales@sick.com.tw

Türkiye

Phone +90 (216) 528 50 00
E-Mail info@sick.com.tr

United Arab Emirates

Phone +971 (0) 4 88 65 878
E-Mail info@sick.ae

USA/México

Phone +1(952) 941-6780
1 (800) 325-7425 – tollfree
E-Mail info@sickusa.com

More representatives and agencies
at www.sick.com