



Bar code scanners
CLV62x / CLV620 / Mid Range

CLV620-2000



Model Name > [CLV620-2000](#)
Part No. > [1041550](#)



At a glance

- CAN, Ethernet TCP/IP, PROFINET, and EtherNet/IP available on board, no additional gateway needed (depending on variant)
- SMART620 code reconstruction technology
- Flexible sorting, filtering, and logical functions
- Advanced, easy-to-use SOPAS configuration software
- High scanning frequency of up to 1,200 Hz
- Small housing
- Advanced remote diagnostics and network monitoring capabilities available over Ethernet
- IP 65 or IP 69K rated (depending on type)

Your benefits

- High read rate on damaged and obscured codes using SMART620 code recognition technology
- Increased scanner intelligence enables sophisticated configuration of logical operations, reducing the control system programming effort. Data is then delivered in the desired format
- No supplementary Ethernet gateway required with Ethernet models - lowers costs
- The CLV62x scanner can be used as a multiplexer in any CAN scanner network from SICK - no supplementary multiplexer necessary
- Real-time decoding at very high speeds
- Small size and simple setup enables fast installation, even in compact machines



Features

| | |
|---------------------|--------------------------------|
| Version: | Mid Range |
| Connection type: | Cable |
| Reading field: | Side (105 °) |
| Scanner design: | Line scanner |
| Focus: | Fixed focus |
| Light source: | Visible red light (655 nm) |
| MTBF: | 40,000 h |
| Laser class: | 2 (EN 60825-1 (A2:2001-03)) |
| Field of view: | ≤ 50 ° |
| Code resolution: | 0.2 mm ... 1 mm |
| Reading distance: | 45 mm ... 345 mm ¹⁾ |
| Scanning frequency: | 400 Hz ... 1,200 Hz |

1) For details see reading field diagram

Performance

| | |
|---|---|
| Bar code types: | Interleaved 2 of 5, All current code types, Codabar, Code 128, Code 39, Code 93, GS1 DataBar, GS1-128/EAN 128, MSI/Plessey, Pharmacode, Telepen, UPC/GTIN/EAN |
| Print ratio: | 2:1 ... 3:1 |
| No. of codes per scan: | 1 ... 20 (Standard decoder), 1 ... 6 (SMART620) |
| No. of codes per reading interval: | 1 ... 50 (auto-discriminating) |
| No. of characters per reading interval: | 1,500, 500 (for multiplexer function in CAN operation) |
| No. of multiple readings: | 1 ... 99 |

Interfaces

| | |
|---|--|
| Serial (RS-232, RS-422/485): | ✓ |
| Remark (Serial (RS-232, RS-422/485)): | AUX (only RS-232) |
| Function (Serial (RS-232, RS-422/485)): | Host, AUX |
| Data transmission rate (Serial (RS-232, RS-422/485)): | 2,400 Baud ... 115 kBaud, AUX: 57.6 kBaud |
| Ethernet: | - |
| Protocol (Ethernet): | PROFINET Dual Port (optional via external connection module CDF600-2), EtherCAT (optional via external connection module CDF600) |
| CAN bus: | ✓ |
| Function (CAN bus): | SICK CAN sensor network (Master/Slave, Multiplexer/Server) |
| Protocol (CAN bus): | CANopen, CSN (SICK CAN Sensor Network) |
| Data transmission rate (CAN bus): | 20 kbit/s ... 1 Mbit/s |
| PROFIBUS DP: | ✓ |
| Remark (PROFIBUS DP): | Optional via external connection module (CDF600-2) |
| DeviceNet: | ✓ |
| Remark (DeviceNet): | Optional via external connection module (CDM + CMF) |
| Switching inputs: | 4 ("Sensor 1", "Sensor 2", 2 inputs via optional parameter storage CMC600 in CDB620/CDM420) |
| Switching outputs: | 4 ("Result 1", "Result 2", 2 outputs via optional parameter storage CMC600 in CDB620/CDM420) |
| Reading pulse: | Auto pulse, CAN, Non-powered, Switching inputs, Serial interface |
| Optical indicators: | 6 LEDs (Ready, Result, laser, Data, CAN, LNK TX) |
| Acoustic indicators: | Beeper/buzzer (can be switched off, can be allocated as a result indication function) |
| Configuration software: | SOPAS ET |

Mechanics/electronics

| | |
|------------------------|--|
| Electrical connection: | 1 x 15-pin D-Sub HD male connector (0.9 m) |
| Operating voltage: | 10 V DC ... 30 V DC |
| Power consumption: | 4.5 W |
| Housing: | Die-cast aluminum |
| Housing color: | Light blue (RAL 5012) |
| Front screen: | Glass |
| Enclosure rating: | IP 65 (DIN 40 050) |
| Protection class: | III (VDE 0106/IEC 1010-1) |
| Weight: | 250 g, without connecting cable |
| Dimensions: | 80 mm x 66 mm x 38 mm |

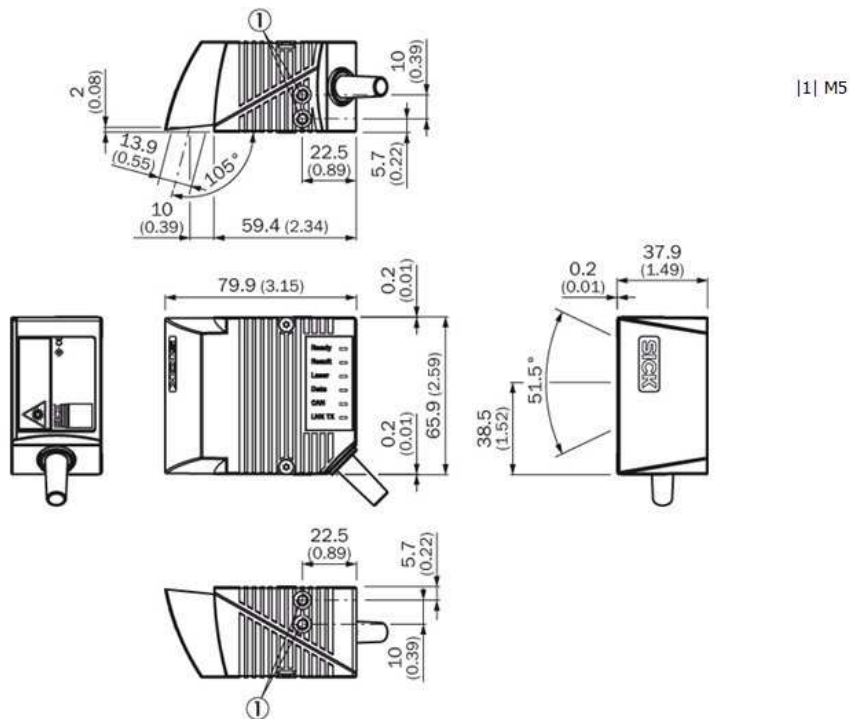
Ambient data

| | |
|--------------------------------------|--|
| Electromagnetic compatibility (EMC): | EN 61000-6-3 (2001-10)/EN 61000-6-2:2005 |
| Vibration resistance: | EN 60068-2-6 (1995) |
| Shock resistance: | EN 60068-2-27 (1993) |
| Ambient operating temperature: | 0 °C ... +40 °C |
| Storage temperature: | -20 °C ... +70 °C |
| Permissible relative humidity: | 90 %, non-condensing |
| Bar code print contrast (PCS): | ≥ 60 % |
| Ambient light immunity: | 2,000 lx, on bar code |

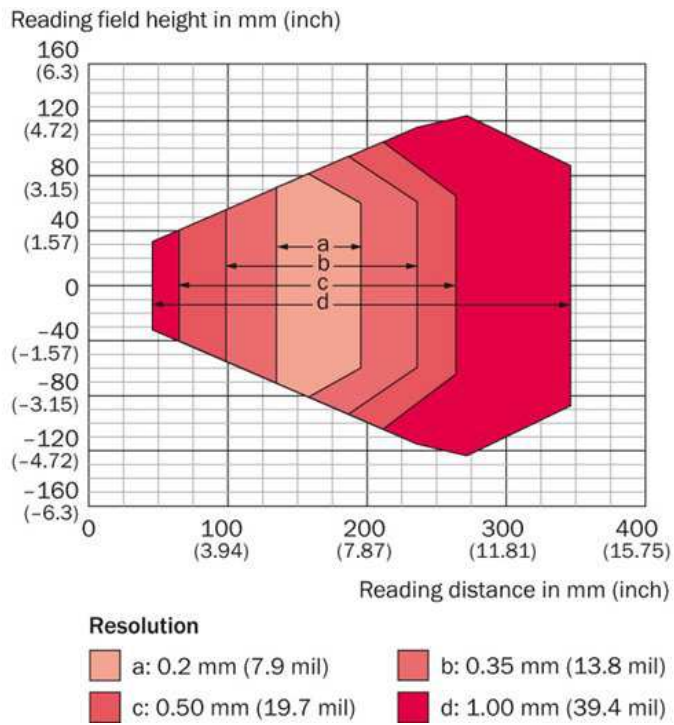
General notes

Note on use: For Ethernet connection please use an Ethernet version of CLV6xx

Dimensional drawing



Reading field diagram



Australia

Phone +61 3 9457 0600
1800 33 48 02 – tollfree
E-Mail sales@sick.com.au

Belgium/Luxembourg

Phone +32 (0)2 466 55 66
E-Mail info@sick.be

Brasil

Phone +55 11 3215-4900
E-Mail marketing@sick.com.br

Canada

Phone +1 905 771 14 44
E-Mail information@sick.com

Česká republika

Phone +420 2 57 91 18 50
E-Mail sick@sick.cz

China

Phone +86 4000 121 000
E-Mail info.china@sick.net.cn
Phone +852-2153 6300
E-Mail ghk@sick.com.hk

Danmark

Phone +45 45 82 64 00
E-Mail sick@sick.dk

Deutschland

Phone +49 211 5301-301
E-Mail info@sick.de

España

Phone +34 93 480 31 00
E-Mail info@sick.es

France

Phone +33 1 64 62 35 00
E-Mail info@sick.fr

Great Britain

Phone +44 (0)1727 831121
E-Mail info@sick.co.uk

India

Phone +91-22-4033 8333
E-Mail info@sick-india.com

Israel

Phone +972-4-6881000
E-Mail info@sick-sensors.com

Italia

Phone +39 02 27 43 41
E-Mail info@sick.it

Japan

Phone +81 (0)3 5309 2112
E-Mail support@sick.jp

Magyarország

Phone +36 1 371 2680
E-Mail office@sick.hu

Nederland

Phone +31 (0)30 229 25 44
E-Mail info@sick.nl

Norge

Phone +47 67 81 50 00
E-Mail sick@sick.no

Österreich

Phone +43 (0)22 36 62 28 8-0
E-Mail office@sick.at

Polska

Phone +48 22 837 40 50
E-Mail info@sick.pl

România

Phone +40 356 171 120
E-Mail office@sick.ro

Russia

Phone +7-495-775-05-30
E-Mail info@sick.ru

Schweiz

Phone +41 41 619 29 39
E-Mail contact@sick.ch

Singapore

Phone +65 6744 3732
E-Mail sales.gsg@sick.com

Slovenija

Phone +386 (0)1-47 69 990
E-Mail office@sick.si

South Africa

Phone +27 11 472 3733
E-Mail info@sickautomation.co.za

South Korea

Phone +82 2 786 6321/4
E-Mail info@sickkorea.net

Suomi

Phone +358-9-25 15 800
E-Mail sick@sick.fi

Sverige

Phone +46 10 110 10 00
E-Mail info@sick.se

Taiwan

Phone +886 2 2375-6288
E-Mail sales@sick.com.tw

Türkiye

Phone +90 (216) 528 50 00
E-Mail info@sick.com.tr

United Arab Emirates

Phone +971 (0) 4 88 65 878
E-Mail info@sick.ae

USA/México

Phone +1(952) 941-6780
1 (800) 325-7425 – tollfree
E-Mail info@sickusa.com

More representatives and agencies
at www.sick.com