



## Magnetic Cylinder Sensors Sensors for C-slot cylinders

MZ2Q-CSSPSKU0



**Model Name** > [MZ2Q-CSSPSKU0](#)  
**Part No.** > [1042237](#)



**At a glance**

- Magnetic cylinder sensor for all conventional pneumatic cylinders, linear slides, and grippers with C-slots
- Easy adjustment of two switching points via teach-in pushbutton
- Detection range up to 50 mm stroke
- Drop-in mounting from above simplifies handling and assembly

**Your benefits**

- One sensor with two adjustable switching points reduces installation time and costs
- Highest levels of flexibility thanks to a detection zone up to 50 mm
- Reliable solution for precise pneumatic applications due to intuitive and accurate definition of two switching points
- Convenient installation and sensor replacement due to drop-in installation
- Flexible sensor settings, monitoring, advanced diagnostics, and visualization thanks to IO-Link



**Features**

|                              |   |
|------------------------------|---|
| Output type:                 | PNP   |
| Output function:             | NO  |
| Electrical wiring:           | DC 4-wire   |
| Teach-in:                    | 1   |
| Cylinder type:               | C-slot  |
| Cylinder types with adapter: | SMC rail cylinder CDQ2<br>SMC rail cylinder ECDQ2 |
| Housing length:              | 19.5 mm   |
| Enclosure rating:            | IP 67 <sup>1)</sup>                               |

<sup>1)</sup> According to EN 60529

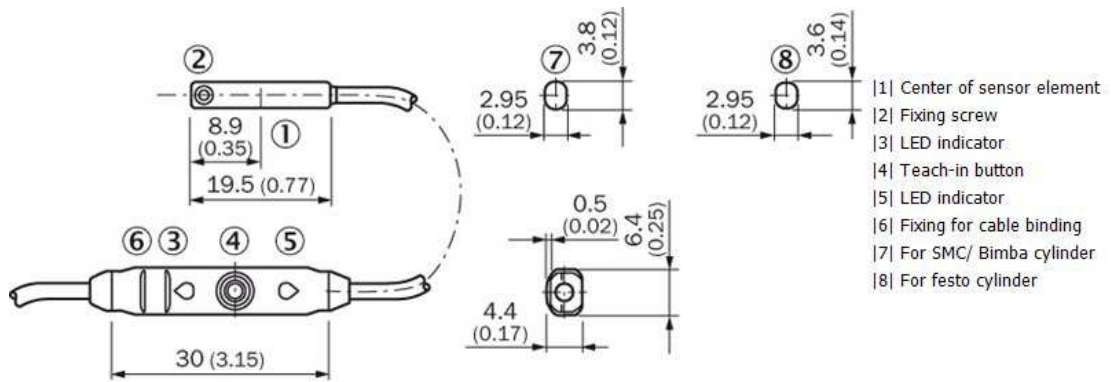
**Mechanics/electronics**

|                                 |                       |
|---------------------------------|-----------------------|
| Connection type:                | Cable, 4-wire, 2 m    |
| For SMC cylinder:               | ✓                     |
| For Festo cylinder:             | -                     |
| Supply voltage:                 | 12 V DC ... 30 V DC   |
| Power consumption:              | ≤ 15 mA <sup>1)</sup> |
| Voltage drop:                   | ≤ 2.2 V               |
| Output current I <sub>a</sub> : | ≤ 100 mA              |

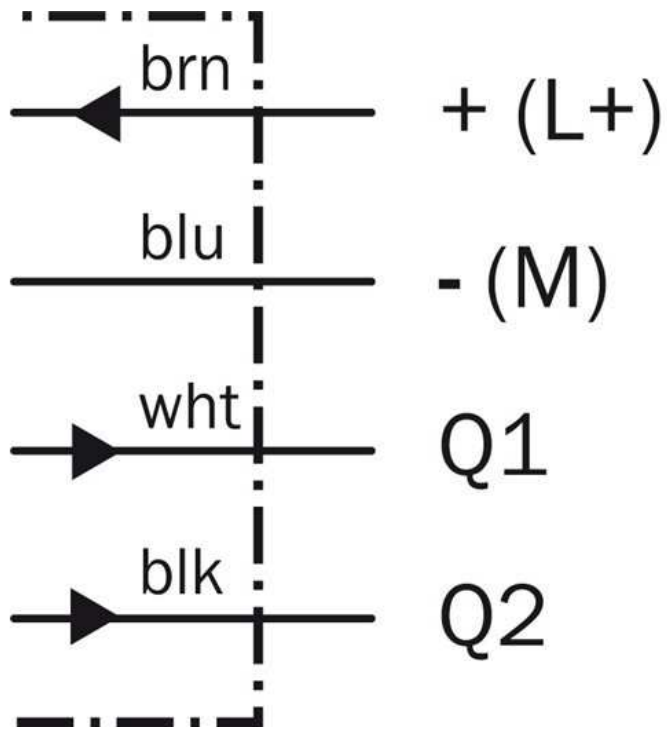
|                                 |                                |
|---------------------------------|--------------------------------|
| EMC:                            | According to EN 60947-5-2      |
| Cable material:                 | PUR                            |
| Conductor cross-section:        | 0.08 mm <sup>2</sup>           |
| Reverse polarity protection:    | ✓                              |
| Short-circuit protection:       | ✓                              |
| Housing material:               | Plastic                        |
| Power-up pulse protection:      | ✓                              |
| IO-Link:                        | -                              |
| Repeatability:                  | ≤ 0.1 mT <sup>2)</sup>         |
| Shock and vibration resistance: | 30 g, 11 ms/10 ... 55 Hz, 1 mm |
| Ambient operating temperature:  | -20 °C ... +75 °C              |
| Protection class:               | III                            |
| Detection area:                 | 0 mm x 50 mm                   |
| Hysteresis typ.:                | 1 mT                           |

1) Without load 2) Ub and Ta constant

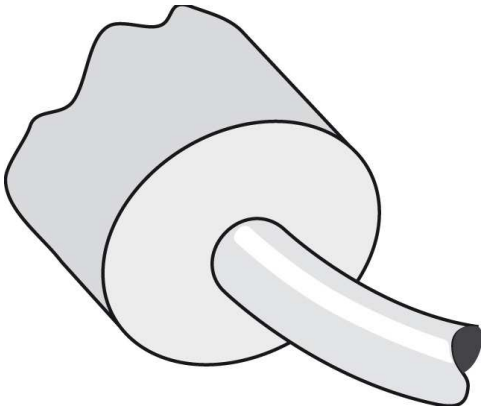
### Dimensional drawing



Connection diagram



Connection type



**Australia**

Phone +61 3 9457 0600  
1800 33 48 02 – tollfree  
E-Mail sales@sick.com.au

**Belgium/Luxembourg**

Phone +32 (0)2 466 55 66  
E-Mail info@sick.be

**Brasil**

Phone +55 11 3215-4900  
E-Mail marketing@sick.com.br

**Canada**

Phone +1 905 771 14 44  
E-Mail information@sick.com

**Česká republika**

Phone +420 2 57 91 18 50  
E-Mail sick@sick.cz

**China**

Phone +86 4000 121 000  
E-Mail info.china@sick.net.cn  
Phone +852-2153 6300  
E-Mail ghk@sick.com.hk

**Danmark**

Phone +45 45 82 64 00  
E-Mail sick@sick.dk

**Deutschland**

Phone +49 211 5301-301  
E-Mail info@sick.de

**España**

Phone +34 93 480 31 00  
E-Mail info@sick.es

**France**

Phone +33 1 64 62 35 00  
E-Mail info@sick.fr

**Great Britain**

Phone +44 (0)1727 831121  
E-Mail info@sick.co.uk

**India**

Phone +91-22-4033 8333  
E-Mail info@sick-india.com

**Israel**

Phone +972-4-6881000  
E-Mail info@sick-sensors.com

**Italia**

Phone +39 02 27 43 41  
E-Mail info@sick.it

**Japan**

Phone +81 (0)3 5309 2112  
E-Mail support@sick.jp

**Magyarország**

Phone +36 1 371 2680  
E-Mail office@sick.hu

**Nederland**

Phone +31 (0)30 229 25 44  
E-Mail info@sick.nl

**Norge**

Phone +47 67 81 50 00  
E-Mail sick@sick.no

**Österreich**

Phone +43 (0)22 36 62 28 8-0  
E-Mail office@sick.at

**Polska**

Phone +48 22 837 40 50  
E-Mail info@sick.pl

**România**

Phone +40 356 171 120  
E-Mail office@sick.ro

**Russia**

Phone +7-495-775-05-30  
E-Mail info@sick.ru

**Schweiz**

Phone +41 41 619 29 39  
E-Mail contact@sick.ch

**Singapore**

Phone +65 6744 3732  
E-Mail sales.gsg@sick.com

**Slovenija**

Phone +386 (0)1-47 69 990  
E-Mail office@sick.si

**South Africa**

Phone +27 11 472 3733  
E-Mail info@sickautomation.co.za

**South Korea**

Phone +82 2 786 6321/4  
E-Mail info@sickkorea.net

**Suomi**

Phone +358-9-25 15 800  
E-Mail sick@sick.fi

**Sverige**

Phone +46 10 110 10 00  
E-Mail info@sick.se

**Taiwan**

Phone +886 2 2375-6288  
E-Mail sales@sick.com.tw

**Türkiye**

Phone +90 (216) 528 50 00  
E-Mail info@sick.com.tr

**United Arab Emirates**

Phone +971 (0) 4 88 65 878  
E-Mail info@sick.ae

**USA/México**

Phone +1(952) 941-6780  
1 (800) 325-7425 – tollfree  
E-Mail info@sickusa.com

More representatives and agencies  
at [www.sick.com](http://www.sick.com)