



Photoelectric sensors
W15, Photoelectric retro-reflective sensor,
Standard optics

WL15-P2430



Model Name > [WL15-P2430](#)
Part No. > [1043321](#)



Illustration may differ

At a glance

- Photoelectric retro-reflective sensor in hybrid design with 5 m sensing range
- Mounting flexibility: M18 front mount using plastic nut or snap ring, side assembly with 24.1 mm through holes
- Flush mounting possible using the snap ring
- Transparent back cover
- Highly visible sender LED
- Options with an adjustable delay of 0 - 2s

Your benefits

- Compatible with many competitor models, making it easy to install and commission
- Flush mounting reduces setup time and prevents obstructions to material flow on conveyor sections
- Clearly visible LED indicators reduce setup time and simplify troubleshooting
- Quick and easy alignment due to highly visible light spot



Features

Sensor/detection principle:	Photoelectric retro-reflective sensor, Standard optics
Dimensions (W x H x D):	16.2 mm x 48.5 mm x 31.9 mm
Housing design (light emission):	Hybrid
Thread diameter (housing):	M18 x 1
Sensing range max.:	0.035 m ... 5 m ¹⁾
Sensing range:	0.035 m ... 3.5 m
Type of light:	Visible red light
Light source:	LED ²⁾
Wave length:	650 nm
Angle of dispersion:	1.5 °
Light spot size (distance):	Ø 140 mm (3.5 m)

¹⁾ PL80A ²⁾ Average service life of 100,000 h at T_A = +25 °C

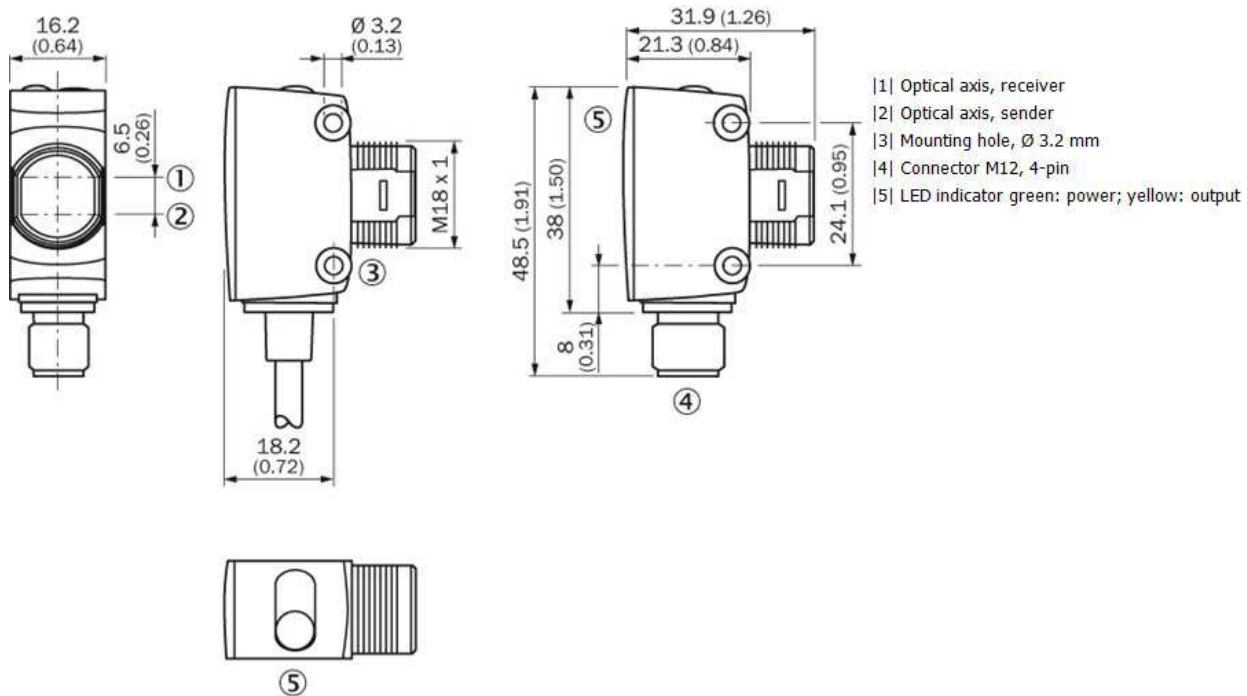
Mechanics/electronics

Supply voltage:	10 V DC ... 30 V DC ¹⁾
Ripple:	≤ 5 Vpp ²⁾
Power consumption:	≤ 30 mA ³⁾
Output type:	PNP

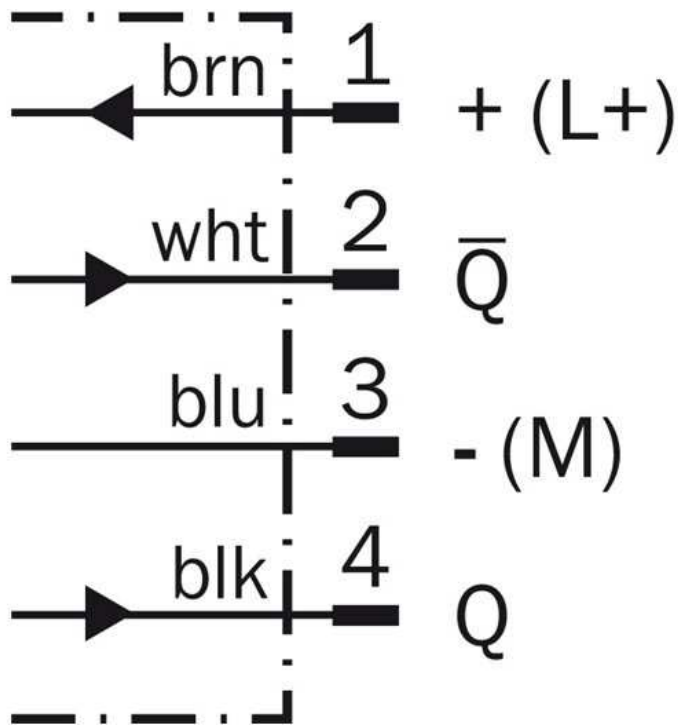
Output function:	Complementary
Switching mode:	Light/dark switching
Output current I _{max} :	≤ 100 mA
Response time:	≤ 1.25 ms ⁴⁾
Switching frequency:	400 Hz ⁵⁾
Connection type:	Connector M12, 4-pin
Circuit protection:::	A, B, D ^{6) 7) 8)}
Protection class:	II ⁹⁾
Weight:	10 g
Polarisation filter:	✓
Special device:	-
Optics material:	PMMA
Enclosure rating:	IP 67
Items supplied:	Snap-ring and M18 nut
Ambient operating temperature:	-25 °C ... +55 °C
Ambient storage temperature:	-25 °C ... +70 °C
UL File No.:	NRKH.E189383 & NRKH7.E189383
Housing material:	ABS, Plastic

1) Limit values, operation in short-circuit protected network max. 8 A ²⁾ May not exceed or fall short of V_S tolerances ³⁾ Without load ⁴⁾ Signal transit time with resistive load ⁵⁾ With light/dark ratio 1:1 ⁶⁾ A = V_S connections reverse-polarity protected ⁷⁾ B = inputs and output reverse-polarity protected ⁸⁾ D = outputs overcurrent and short-circuit protected ⁹⁾ Reference voltage: 50 V DC

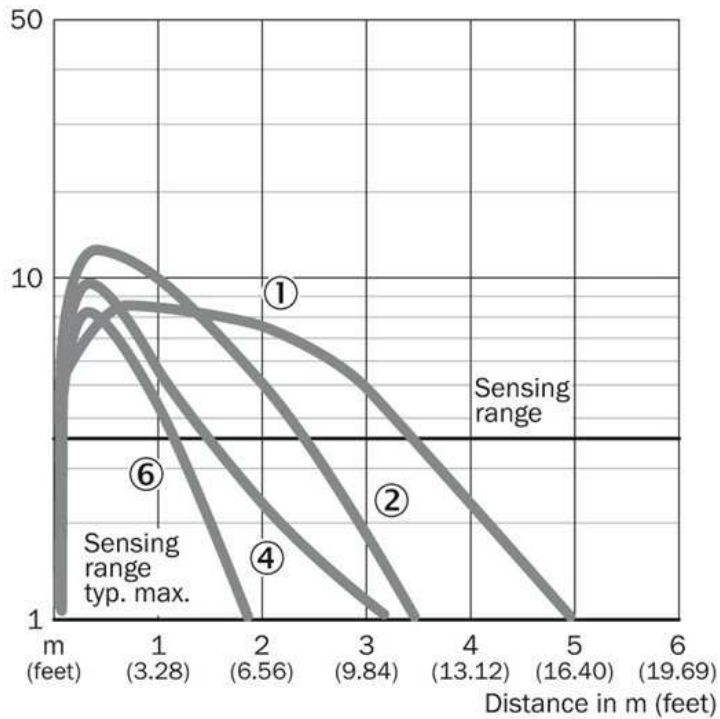
Dimensional drawing



Connection diagram

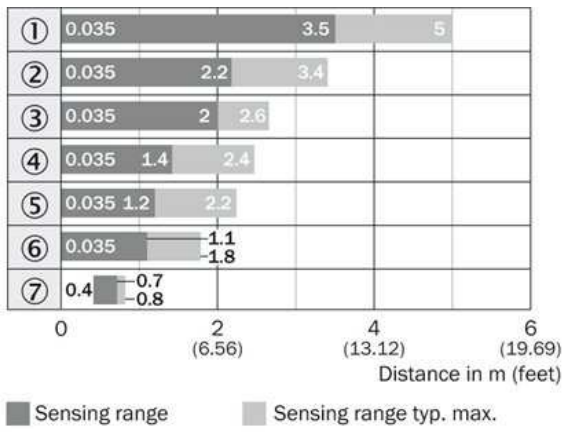


Characteristic curve



- [1] PL80A
- [2] P250
- [3] C110A
- [4] PL50A, PL40A
- [5] PL30A, PL31A
- [6] PL20A
- [7] Reflective tape REF-Plus

Sensing range diagram

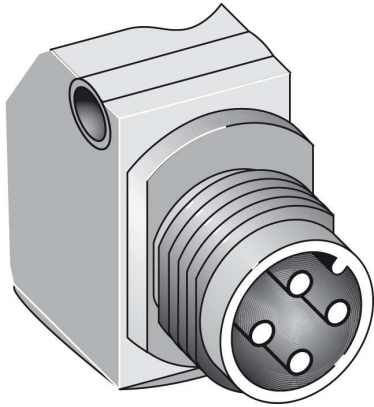


- |1| PL80A
- |2| P250
- |3| C110A
- |4| PL50A, PL40A
- |5| PL30A, PL31A
- |6| PL20A
- |7| Reflective tape REF-Plus

Reflector type

- ① PL80A
- ② P250
- ③ C110
- ④ PL50A/PL40A
- ⑤ PL30A/PL31A
- ⑥ PL20A
- ⑦ Reflective tape REF-Plus

Connection type



Australia

Phone +61 3 9457 0600
1800 33 48 02 – tollfree
E-Mail sales@sick.com.au

Belgium/Luxembourg

Phone +32 (0)2 466 55 66
E-Mail info@sick.be

Brasil

Phone +55 11 3215-4900
E-Mail marketing@sick.com.br

Canada

Phone +1 905 771 14 44
E-Mail information@sick.com

Česká republika

Phone +420 2 57 91 18 50
E-Mail sick@sick.cz

China

Phone +86 4000 121 000
E-Mail info.china@sick.net.cn
Phone +852-2153 6300
E-Mail ghk@sick.com.hk

Danmark

Phone +45 45 82 64 00
E-Mail sick@sick.dk

Deutschland

Phone +49 211 5301-301
E-Mail info@sick.de

España

Phone +34 93 480 31 00
E-Mail info@sick.es

France

Phone +33 1 64 62 35 00
E-Mail info@sick.fr

Great Britain

Phone +44 (0)1727 831121
E-Mail info@sick.co.uk

India

Phone +91-22-4033 8333
E-Mail info@sick-india.com

Israel

Phone +972-4-6881000
E-Mail info@sick-sensors.com

Italia

Phone +39 02 27 43 41
E-Mail info@sick.it

Japan

Phone +81 (0)3 5309 2112
E-Mail support@sick.jp

Magyarország

Phone +36 1 371 2680
E-Mail office@sick.hu

Nederland

Phone +31 (0)30 229 25 44
E-Mail info@sick.nl

Norge

Phone +47 67 81 50 00
E-Mail sick@sick.no

Österreich

Phone +43 (0)22 36 62 28 8-0
E-Mail office@sick.at

Polska

Phone +48 22 837 40 50
E-Mail info@sick.pl

România

Phone +40 356 171 120
E-Mail office@sick.ro

Russia

Phone +7-495-775-05-30
E-Mail info@sick.ru

Schweiz

Phone +41 41 619 29 39
E-Mail contact@sick.ch

Singapore

Phone +65 6744 3732
E-Mail sales.gsg@sick.com

Slovenija

Phone +386 (0)1-47 69 990
E-Mail office@sick.si

South Africa

Phone +27 11 472 3733
E-Mail info@sickautomation.co.za

South Korea

Phone +82 2 786 6321/4
E-Mail info@sickkorea.net

Suomi

Phone +358-9-25 15 800
E-Mail sick@sick.fi

Sverige

Phone +46 10 110 10 00
E-Mail info@sick.se

Taiwan

Phone +886 2 2375-6288
E-Mail sales@sick.com.tw

Türkiye

Phone +90 (216) 528 50 00
E-Mail info@sick.com.tr

United Arab Emirates

Phone +971 (0) 4 88 65 878
E-Mail info@sick.ae

USA/México

Phone +1(952) 941-6780
1 (800) 325-7425 – tollfree
E-Mail info@sickusa.com

More representatives and agencies
at www.sick.com