



Photoelectric sensors
W15, Through-beam photoelectric sensor

WSE15-B2430



Model Name > [WSE15-B2430](#)
Part No. > [1043328](#)



Illustration may differ

At a glance

- Through-beam photoelectric sensor in hybrid design with
- 5 m sensing range
- M18 front mount using plastic nut or snap ring, side assembly with 24.1 mm through holes
- Flush mounting possible using the snap ring
- Transparent back cover
- Highly visible sender LED

Your benefits

- Compatible with many competitor models, making it easy to install and commission
- Flush mounting reduces setup time and prevents obstructions to material flow on conveyor sections
- Clearly visible LED indicators reduce setup time and simplify troubleshooting
- Quick and easy alignment due to highly visible light spot



Features

Sensor/detection principle:	Through-beam photoelectric sensor
Dimensions (W x H x D):	16.2 mm x 48.5 mm x 31.9 mm
Housing design (light emission):	Hybrid
Thread diameter (housing):	M18 x 1
Sensing range max.:	0 m ... 5 m
Sensing range:	0 m ... 3.8 m
Type of light:	Visible red light
Light source:	LED ¹⁾
Wave length:	650 nm
Angle of dispersion:	1.5 °
Light spot size (distance):	160 mm (4 m)

¹⁾ Average service life of 100,000 h at T_A = +25 °C

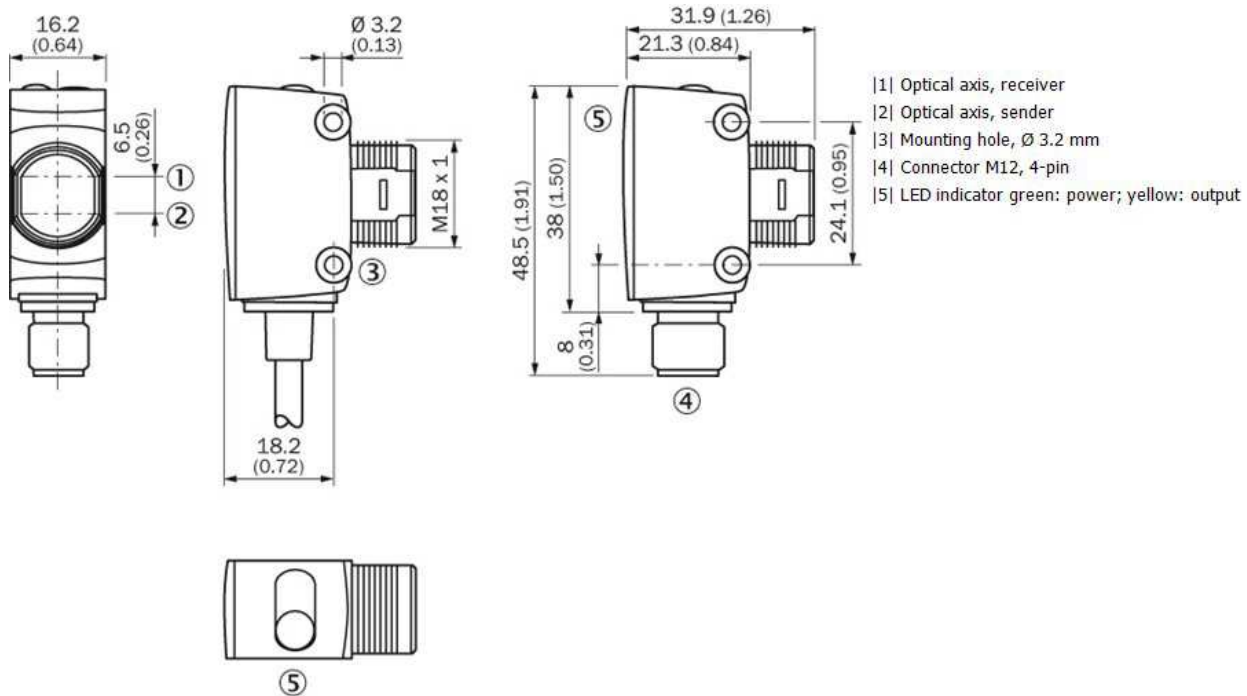
Mechanics/electronics

Supply voltage:	10 V DC ... 30 V DC ¹⁾
Ripple:	≤ 5 Vpp ²⁾
Power consumption:	≤ 30 mA ³⁾
Output type:	NPN, PNP

Switching mode:	Light switching
Output current I _{max} ·:	≤ 100 mA
Response time:	≤ 1.4 ms ⁴⁾
Switching frequency:	350 Hz ⁵⁾
Connection type:	Connector M12, 4-pin
Circuit protection:::	A, B, D ^{6) 7) 8)}
Protection class:	II ⁹⁾
Weight:	20 g
Optics material:	PMMA
Enclosure rating:	IP 67
Items supplied:	Snap-ring and M18 nut
Ambient operating temperature:	-25 °C ... +55 °C
Ambient storage temperature:	-25 °C ... +70 °C
UL File No.:	NRKH.E189383 & NRKH7.E189383
Housing material:	ABS, Plastic

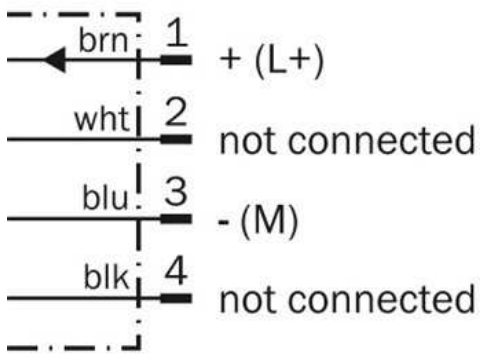
1) Limit values, operation in short-circuit protected network max. 8 A 2) May not exceed or fall short of V_S tolerances 3) Without load 4) Signal transit time with resistive load
5) With light/dark ratio 1:1 6) A = V_S connections reverse-polarity protected 7) B = inputs and output reverse-polarity protected 8) D = outputs overcurrent and short-circuit protected 9) Reference voltage: 50 V DC

Dimensional drawing

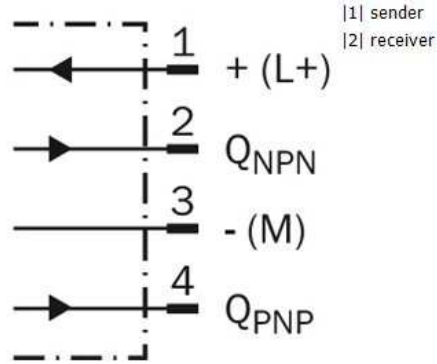


Connection diagram

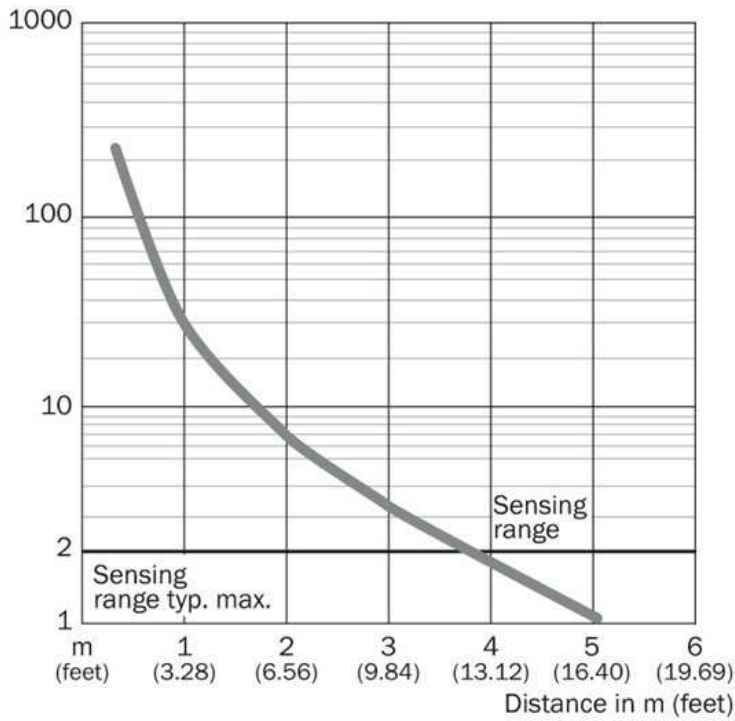
①



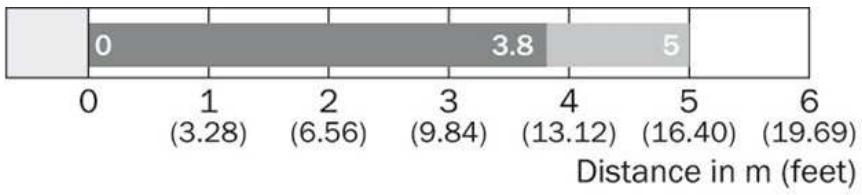
②



Characteristic curve



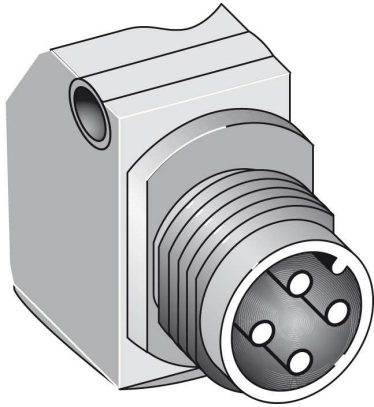
Sensing range diagram



■ Sensing range

■ Sensing range typ. max.

Connection type



Australia

Phone +61 3 9457 0600
1800 33 48 02 – tollfree
E-Mail sales@sick.com.au

Belgium/Luxembourg

Phone +32 (0)2 466 55 66
E-Mail info@sick.be

Brasil

Phone +55 11 3215-4900
E-Mail marketing@sick.com.br

Canada

Phone +1 905 771 14 44
E-Mail information@sick.com

Česká republika

Phone +420 2 57 91 18 50
E-Mail sick@sick.cz

China

Phone +86 4000 121 000
E-Mail info.china@sick.net.cn
Phone +852-2153 6300
E-Mail ghk@sick.com.hk

Danmark

Phone +45 45 82 64 00
E-Mail sick@sick.dk

Deutschland

Phone +49 211 5301-301
E-Mail info@sick.de

España

Phone +34 93 480 31 00
E-Mail info@sick.es

France

Phone +33 1 64 62 35 00
E-Mail info@sick.fr

Great Britain

Phone +44 (0)1727 831121
E-Mail info@sick.co.uk

India

Phone +91-22-4033 8333
E-Mail info@sick-india.com

Israel

Phone +972-4-6881000
E-Mail info@sick-sensors.com

Italia

Phone +39 02 27 43 41
E-Mail info@sick.it

Japan

Phone +81 (0)3 5309 2112
E-Mail support@sick.jp

Magyarország

Phone +36 1 371 2680
E-Mail office@sick.hu

Nederland

Phone +31 (0)30 229 25 44
E-Mail info@sick.nl

Norge

Phone +47 67 81 50 00
E-Mail sick@sick.no

Österreich

Phone +43 (0)22 36 62 28 8-0
E-Mail office@sick.at

Polska

Phone +48 22 837 40 50
E-Mail info@sick.pl

România

Phone +40 356 171 120
E-Mail office@sick.ro

Russia

Phone +7-495-775-05-30
E-Mail info@sick.ru

Schweiz

Phone +41 41 619 29 39
E-Mail contact@sick.ch

Singapore

Phone +65 6744 3732
E-Mail sales.gsg@sick.com

Slovenija

Phone +386 (0)1-47 69 990
E-Mail office@sick.si

South Africa

Phone +27 11 472 3733
E-Mail info@sickautomation.co.za

South Korea

Phone +82 2 786 6321/4
E-Mail info@sickkorea.net

Suomi

Phone +358-9-25 15 800
E-Mail sick@sick.fi

Sverige

Phone +46 10 110 10 00
E-Mail info@sick.se

Taiwan

Phone +886 2 2375-6288
E-Mail sales@sick.com.tw

Türkiye

Phone +90 (216) 528 50 00
E-Mail info@sick.com.tr

United Arab Emirates

Phone +971 (0) 4 88 65 878
E-Mail info@sick.ae

USA/México

Phone +1(952) 941-6780
1 (800) 325-7425 – tollfree
E-Mail info@sickusa.com

More representatives and agencies
at www.sick.com