



Safety controllers Flexi Soft, main module, FX3-CPU1

FX3-CPU130002



Model Name > [FX3-CPU130002](#)
Part No. > [1043784](#)



At a glance

- CPU0: Basic functions incl. RS-232 programming interface
- CPU1: CPU0 functions plus interface for advanced functions of SICK safety sensors
- CPU2: CPU1 functions plus backup function automatic configuration recovery (ACR)
- CPU3: CPU2 functions plus USB programming and Flexi Line interface
- Connection of up to 12 Flexi Soft expansion modules
- Connection of up to two Flexi Soft gateways

Your benefits

- System plug enables fast commissioning
- Less downtime since all status information can be transferred to every standard fieldbus system using Flexi Soft gateways
- Fast troubleshooting and minimum downtime due to real-time diagnostics
- Quick replacement of sensors due to automatic configuration recovery (ACR), which automatically configures newly connected sensors
- Fast, reliable communication among up to 32 Flexi Soft stations



Safety-related parameters

Safety integrity level:	SIL3 (IEC 61508) SILCL3 (EN 62061)
Category:	Category 4 (EN ISO 13849-1)
Performance level:	PL e (EN ISO 13849-1)
PFHd:	1.69 * 1E-09 (EN ISO 13849)
TM (mission time):	20 a (EN ISO 13849)

Functions

Restart interlock:	-
External device monitoring (EDM):	✓
Differentiation between man and material (muting):	✓
Safe SICK device communication via EFI/SDL:	✓
Flexi Link:	✓
Flexi Line:	-
Automatic Configuration Recovery (ACR):	-

Mechanical data

Dimensions (W x H x D): 22.5 mm x 96.5 mm x 120.6 mm
 Weight: 119 g (± 5 %)

Electrical data

Protection class: III (EN 61140)
 Type of voltage supply: PELV or SELV ¹⁾
 Supply voltage V_s: 24 V DC (16.8 V DC ... 30 V DC)
 Internal power consumption: ≤ 2.5 W
 Overvoltage category: II (EN 61131-2)
 Switch-on time: ≤ 18 s

¹⁾ The current of the power supply that powers the main unit must be limited to a maximum of 4 A, either through the power supply itself or a fuse.

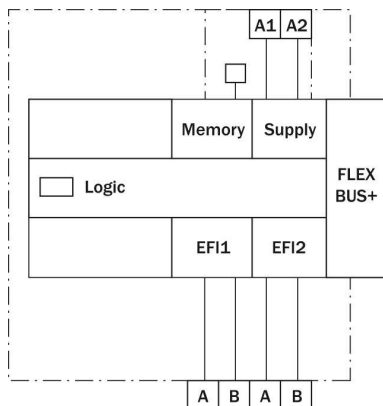
Interfaces

System connection: System plug FX3-MPL000001
 Connection type system plug: Screw-type terminals
 Connection type EFI connection: Spring terminals
 Number of EFI interfaces: 2
 Configuration and diagnostics interface: RS-232

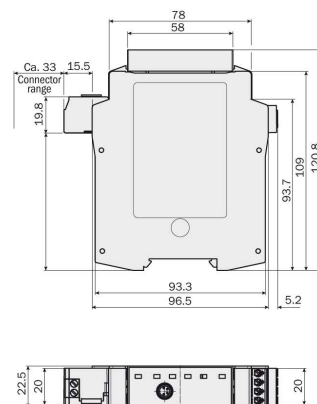
Ambient data

Protection class housing: IP 40 (EN 60529)
 Enclosure rating terminals: IP 20 (EN 60529)
 Ambient operating temperature: -25 °C ... +55 °C
 Storage temperature: -25 °C ... +70 °C
 Air humidity: 10 % ... 95 %, non-condensing
 Climate conditions according to: EN 61131-2 (55 °C ambient operating temperature, 95% rel. humidity)
 Electromagnetic compatibility (EMC): Class A (EN 61000-6-2, EN 55011)
 Vibration resistance: 1 g, 5 Hz ... 150 Hz (EN 60068-2-6)
 3 g RMS, 10 Hz ... 500 Hz (EN 60068-2-64)

Connection diagram



Dimensional drawing



Australia

Phone +61 3 9457 0600
1800 33 48 02 – tollfree
E-Mail sales@sick.com.au

Belgium/Luxembourg

Phone +32 (0)2 466 55 66
E-Mail info@sick.be

Brasil

Phone +55 11 3215-4900
E-Mail marketing@sick.com.br

Canada

Phone +1 905 771 14 44
E-Mail information@sick.com

Česká republika

Phone +420 2 57 91 18 50
E-Mail sick@sick.cz

China

Phone +86 4000 121 000
E-Mail info.china@sick.net.cn
Phone +852-2153 6300
E-Mail ghk@sick.com.hk

Danmark

Phone +45 45 82 64 00
E-Mail sick@sick.dk

Deutschland

Phone +49 211 5301-301
E-Mail info@sick.de

España

Phone +34 93 480 31 00
E-Mail info@sick.es

France

Phone +33 1 64 62 35 00
E-Mail info@sick.fr

Great Britain

Phone +44 (0)1727 831121
E-Mail info@sick.co.uk

India

Phone +91-22-4033 8333
E-Mail info@sick-india.com

Israel

Phone +972-4-6881000
E-Mail info@sick-sensors.com

Italia

Phone +39 02 27 43 41
E-Mail info@sick.it

Japan

Phone +81 (0)3 5309 2112
E-Mail support@sick.jp

Magyarország

Phone +36 1 371 2680
E-Mail office@sick.hu

Nederland

Phone +31 (0)30 229 25 44
E-Mail info@sick.nl

Norge

Phone +47 67 81 50 00
E-Mail sick@sick.no

Österreich

Phone +43 (0)22 36 62 28 8-0
E-Mail office@sick.at

Polska

Phone +48 22 837 40 50
E-Mail info@sick.pl

România

Phone +40 356 171 120
E-Mail office@sick.ro

Russia

Phone +7-495-775-05-30
E-Mail info@sick.ru

Schweiz

Phone +41 41 619 29 39
E-Mail contact@sick.ch

Singapore

Phone +65 6744 3732
E-Mail sales.gsg@sick.com

Slovenija

Phone +386 (0)1-47 69 990
E-Mail office@sick.si

South Africa

Phone +27 11 472 3733
E-Mail info@sickautomation.co.za

South Korea

Phone +82 2 786 6321/4
E-Mail info@sickkorea.net

Suomi

Phone +358-9-25 15 800
E-Mail sick@sick.fi

Sverige

Phone +46 10 110 10 00
E-Mail info@sick.se

Taiwan

Phone +886 2 2375-6288
E-Mail sales@sick.com.tw

Türkiye

Phone +90 (216) 528 50 00
E-Mail info@sick.com.tr

United Arab Emirates

Phone +971 (0) 4 88 65 878
E-Mail info@sick.ae

USA/México

Phone +1(952) 941-6780
1 (800) 325-7425 – tollfree
E-Mail info@sickusa.com

More representatives and agencies
at www.sick.com