



Photoelectric sensors
MH15V, Photoelectric retro-reflective sensor,
Standard optics

MHL15-N3236V



Model Name > [MHL15-N3236V](#)
Part No. > [1043812](#)



Illustration may differ

At a glance

- Long sensing distance up to 5.0 m with PL80A reflector
- Polarizing filter for reliable detection of shiny object surfaces
- Stainless steel housing (316L/1.4404)
- Resistant to cleaning agents according to ECOLAB and JohnsonDiversey
- IP 69K, IP 67 enclosure rating
- Shortest M18 housing on the market
- Accessories, including stainless steel flush mount and chemical resistance IP69K reflectors, are available

Your benefits

- Field-tested, compact, stainless steel IP 69K design of the MH15V reduces downtime and replacement costs
- Long sensing range up to 3.5 m in combination with a reflector (PL80A) makes the MHL15V suitable for a broad range of applications
- 3 mm flat, chemically resistant material of the sensor lens offers a long service life, reducing maintenance time and costs
- Reliable object detection, even in difficult environments reduces miscount and increases machine throughput
- Short M18 housing with flush mounting fits in tight areas, which saves machine space
- ECOLAB and JohnsonDiversey certified MH15V are suitable for hygienic environments, reducing maintenance costs
- Innovative stainless steel mounting accessories provide fast and low-cost installation



Features

Sensor/detection principle:	Photoelectric retro-reflective sensor, Standard optics
Housing design (light emission):	Cylindrical, straight
Housing length:	52.9 mm
Thread diameter (housing):	M18 x 1
Optical axis:	axial
Sensing range max.:	0.035 m ... 5 m ¹⁾
Sensing range:	0.035 m ... 3.5 m ²⁾
Type of light:	Visible red light ³⁾
Light source:	LED ³⁾
Wave length:	650 nm
Angle of dispersion:	Ca. 1.5 °
Light spot size (distance):	Ø 80 mm (3.5 m)

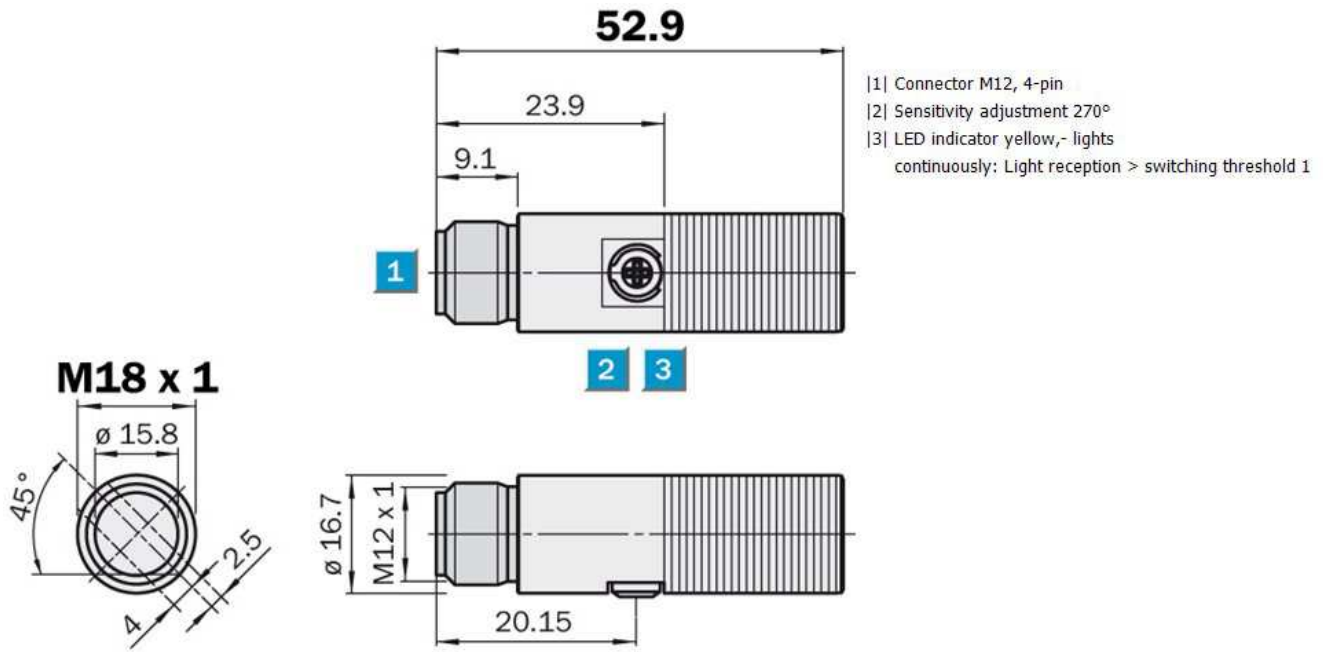
1) 2) PL80A 3) Average service life of 100,000 h at $T_A = +25\text{ °C}$

Mechanics/electronics

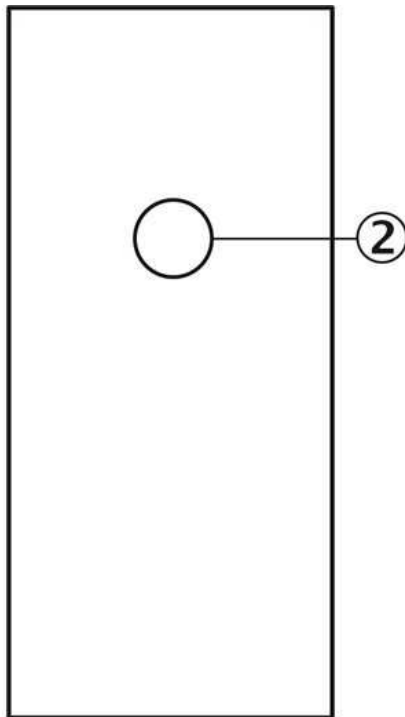
Supply voltage:	10 V DC... 30 ¹⁾
Ripple:	$\leq 5\text{ V}_{pp}$ ²⁾
Power consumption:	30 ³⁾
Output type:	NPN
Switching mode:	Dark switching
Signal voltage NPN HIGH/LOW:	$U_V / < 2,9\text{ V}$
Output current $I_{max.}$:	100
Response time:	$\leq 1.25\text{ ms}$ ⁴⁾
Switching frequency:	400 ⁵⁾
Connection type:	Connector M12, 4-pin ⁶⁾
Circuit protection:::	A, C, D ^{7) 8) 9)}
Protection class:	III
Weight:	50 g
Polarisation filter:	✓
Housing material:	Stainless steel, Stainless steel V4A (1.4404, 316L)
Optics material:	PMMA
Enclosure rating:	IP 67 IP 68 IP 69K
Ambient operating temperature::	-25 ... 55 °C ^{10) 11)}
Ambient storage temperature:	-25 ... 70 °C
UL File No.:	NRKH.E189383 & NRKH7.E189383

1) Limit values 2) May not exceed or fall short of V_S tolerances 3) Without load 4) Signal transit time with resistive load 5) With light/dark ratio 1:1 6) With gold plated contact pins 7) $A = V_S$ connections reverse-polarity protected 8) C = interference suppression 9) D = outputs overcurrent and short-circuit protected 10) Use at higher ambient temperatures reduce the sender LED lifetime 11) +100 °C for 15 minutes

Dimensional drawing

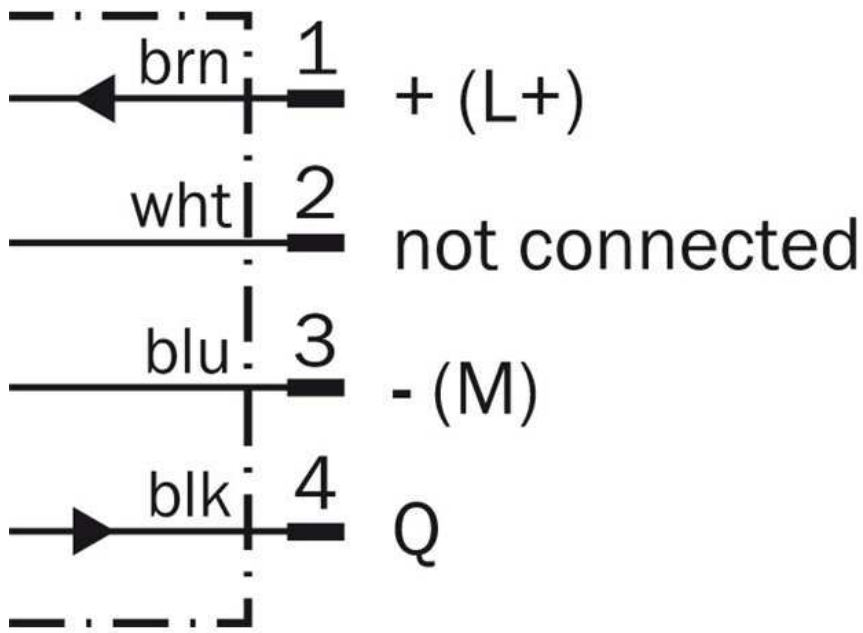


Adjustments possible

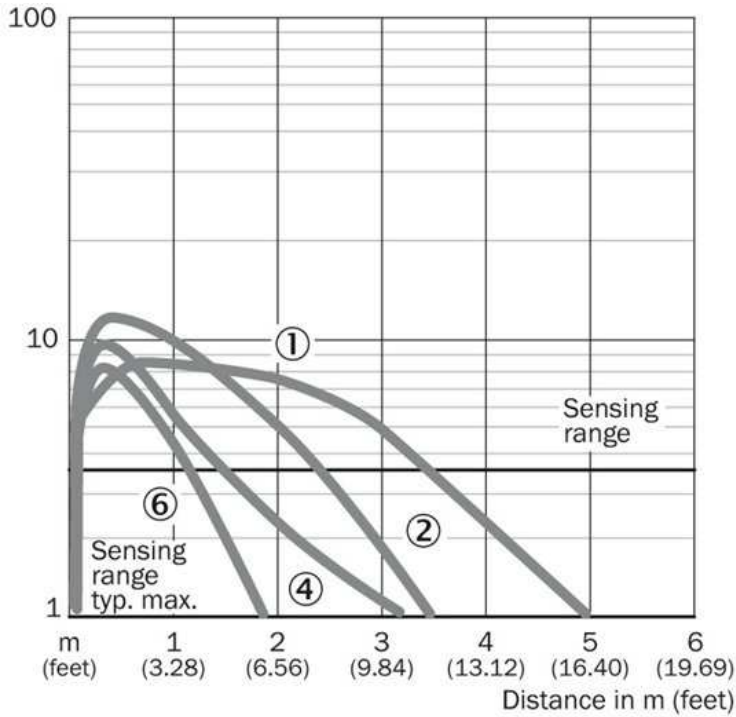


[2] Yellow LED indicator,-lights continuously: Light reception> reserve factor 1,5-blinks: Light reception >reserve factor 1,5but light reception>switching threshold

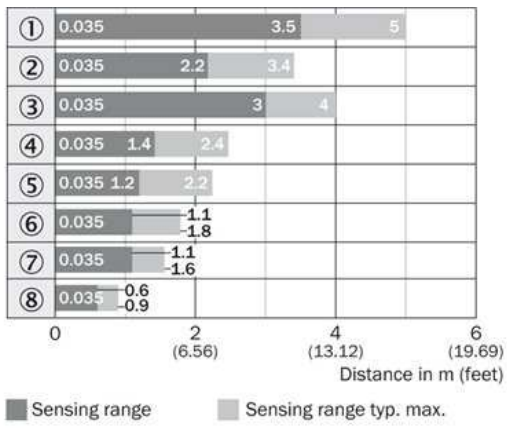
Connection diagram



Characteristic curve



Sensing range diagram



Reflector type

- ① PL80A
- ② P250
- ③ C110
- ④ PL50A/PL40A
- ⑤ PL30A/PL31A
- ⑥ PL20A
- ⑦ P250CHEM
- ⑧ PL20CHEM

Connection type



Australia

Phone +61 3 9457 0600
1800 33 48 02 – tollfree
E-Mail sales@sick.com.au

Belgium/Luxembourg

Phone +32 (0)2 466 55 66
E-Mail info@sick.be

Brasil

Phone +55 11 3215-4900
E-Mail marketing@sick.com.br

Canada

Phone +1 905 771 14 44
E-Mail information@sick.com

Česká republika

Phone +420 2 57 91 18 50
E-Mail sick@sick.cz

China

Phone +86 4000 121 000
E-Mail info.china@sick.net.cn
Phone +852-2153 6300
E-Mail ghk@sick.com.hk

Danmark

Phone +45 45 82 64 00
E-Mail sick@sick.dk

Deutschland

Phone +49 211 5301-301
E-Mail info@sick.de

España

Phone +34 93 480 31 00
E-Mail info@sick.es

France

Phone +33 1 64 62 35 00
E-Mail info@sick.fr

Great Britain

Phone +44 (0)1727 831121
E-Mail info@sick.co.uk

India

Phone +91-22-4033 8333
E-Mail info@sick-india.com

Israel

Phone +972-4-6881000
E-Mail info@sick-sensors.com

Italia

Phone +39 02 27 43 41
E-Mail info@sick.it

Japan

Phone +81 (0)3 5309 2112
E-Mail support@sick.jp

Magyarország

Phone +36 1 371 2680
E-Mail office@sick.hu

Nederland

Phone +31 (0)30 229 25 44
E-Mail info@sick.nl

Norge

Phone +47 67 81 50 00
E-Mail sick@sick.no

Österreich

Phone +43 (0)22 36 62 28 8-0
E-Mail office@sick.at

Polska

Phone +48 22 837 40 50
E-Mail info@sick.pl

România

Phone +40 356 171 120
E-Mail office@sick.ro

Russia

Phone +7-495-775-05-30
E-Mail info@sick.ru

Schweiz

Phone +41 41 619 29 39
E-Mail contact@sick.ch

Singapore

Phone +65 6744 3732
E-Mail sales.gsg@sick.com

Slovenija

Phone +386 (0)1-47 69 990
E-Mail office@sick.si

South Africa

Phone +27 11 472 3733
E-Mail info@sickautomation.co.za

South Korea

Phone +82 2 786 6321/4
E-Mail info@sickkorea.net

Suomi

Phone +358-9-25 15 800
E-Mail sick@sick.fi

Sverige

Phone +46 10 110 10 00
E-Mail info@sick.se

Taiwan

Phone +886 2 2375-6288
E-Mail sales@sick.com.tw

Türkiye

Phone +90 (216) 528 50 00
E-Mail info@sick.com.tr

United Arab Emirates

Phone +971 (0) 4 88 65 878
E-Mail info@sick.ae

USA/México

Phone +1(952) 941-6780
1 (800) 325-7425 – tollfree
E-Mail info@sickusa.com

More representatives and agencies
at www.sick.com