



Photoelectric sensors
MH15V, Through-beam photoelectric sensor

MHSE15-P3236V



Model Name > **MHSE15-P3236V**
Part No. > **1043818**



Illustration may differ

At a glance

- Long sensing distance up to 3.5 m
- Stainless steel housing (316L/1.4404)
- Resistant to cleaning agents according to ECOLAB and JohnsonDiversey
- IP 69K, IP 67 enclosure rating
- Shortest M18 housing on the market
- Accessories for flush mounting are available

Your benefits

- Field-tested, compact, stainless steel IP 69K design of the MH15V reduces downtime and replacement costs
- MHSE15 sender/ receiver photoelectric sensors reduce miscounts and false triggers and increase machine throughput
- 3 mm flat, chemically resistant material of the sensor lens offers a long service life, reducing maintenance time and costs
- Reliable object detection, even in difficult environments reduces miscount and increases machine throughput
- Short M18 housing with flush mounting fits in tight areas, which saves machine space
- ECOLAB and JohnsonDiversey certified MH15V are suitable for hygienic environments, reducing maintenance costs
- Innovative stainless steel mounting accessories provide fast and low-cost installation



Features

| | |
|----------------------------------|-----------------------------------|
| Sensor/detection principle: | Through-beam photoelectric sensor |
| Housing design (light emission): | Cylindrical, straight |
| Housing length: | 52.9 mm |
| Thread diameter (housing): | M18 x 1 |
| Optical axis: | axial |
| Sensing range max.: | 0 m ... 5 m |
| Sensing range: | 0 m ... 3.8 m |
| Type of light: | Visible red light |
| Light source: | LED ¹⁾ |
| Wave length: | 650 nm |
| Angle of dispersion: | Ca. 1.5 ° |
| Light spot size (distance): | Ø 65 mm (4 m) |

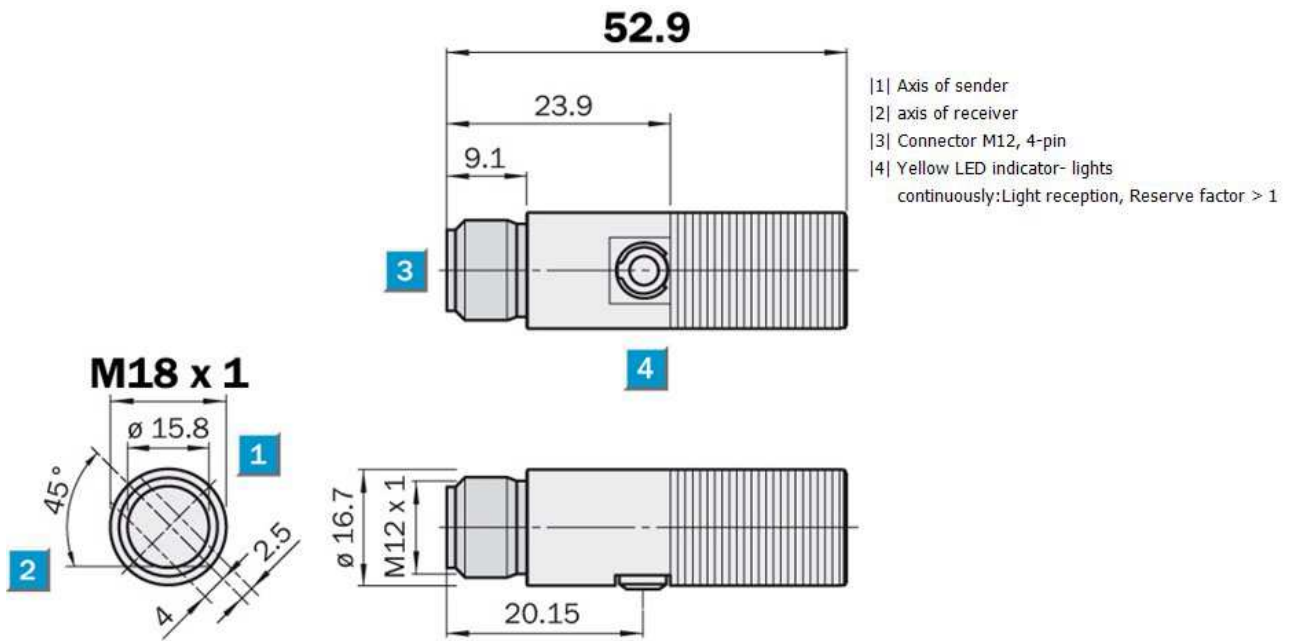
1) Average service life of 100,000 h at $T_A = +25\text{ °C}$

Mechanics/electronics

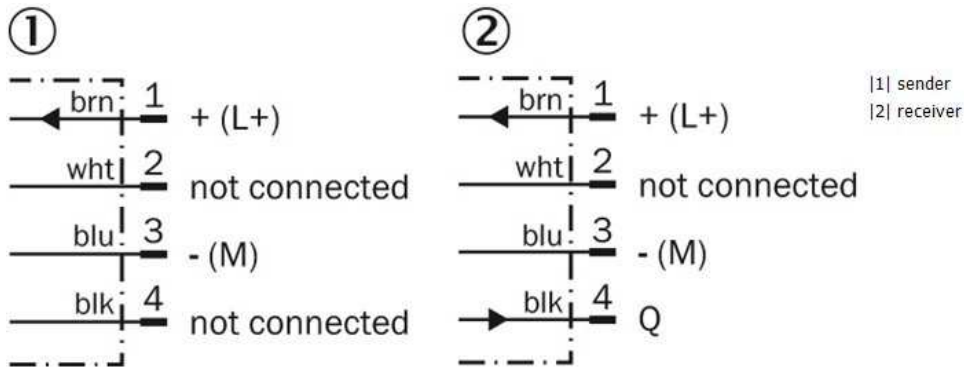
| | |
|---------------------------------------|--|
| Supply voltage: | 10 V DC ... 30 ¹⁾ |
| Power consumption: | 30 ²⁾ |
| Output type: | PNP |
| Switching mode: | Dark switching |
| Signal voltage PNP HIGH/LOW: | $U_v - (< 2,9\text{ V}) / \text{ca. } 0\text{ V}$ |
| Output current $I_{\text{max.}}$: | 100 |
| Response time: | $\leq 1.4\text{ ms}$ ³⁾ |
| Switching frequency: | 350 ⁴⁾ |
| Connection type: | Connector M12, 4-pin ⁵⁾ |
| Circuit protection::: | A, C, D ^{6) 7) 8)} |
| Protection class: | III |
| Weight: | 100 g |
| Housing material: | Stainless steel, Stainless steel V4A (1.4404, 316L) |
| Optics material: | PMMA |
| Enclosure rating: | IP 67 IP 68 IP 69K |
| Ambient operating temperature:: | $-25 \dots 55\text{ °C}$ ^{9) 10)} |
| Ambient storage temperature: | $-25 \dots 70\text{ °C}$ |
| Part number of individual components: | Receiver, MHE15-P3236V, 2045304, Sender, MHS15-D3036V, 2045306 |
| UL File No.: | NRKH.E189383 & NRKH7.E189383 |

1) Limit values 2) Without load 3) Signal transit time with resistive load 4) With light/dark ratio 1:1 5) With gold plated contact pins 6) $A = V_S$ connections reverse-polarity protected 7) C = interference suppression 8) D = outputs overcurrent and short-circuit protected 9) Use at higher ambient temperatures reduce the sender LED lifetime 10) $+100\text{ °C}$ for 15 minutes

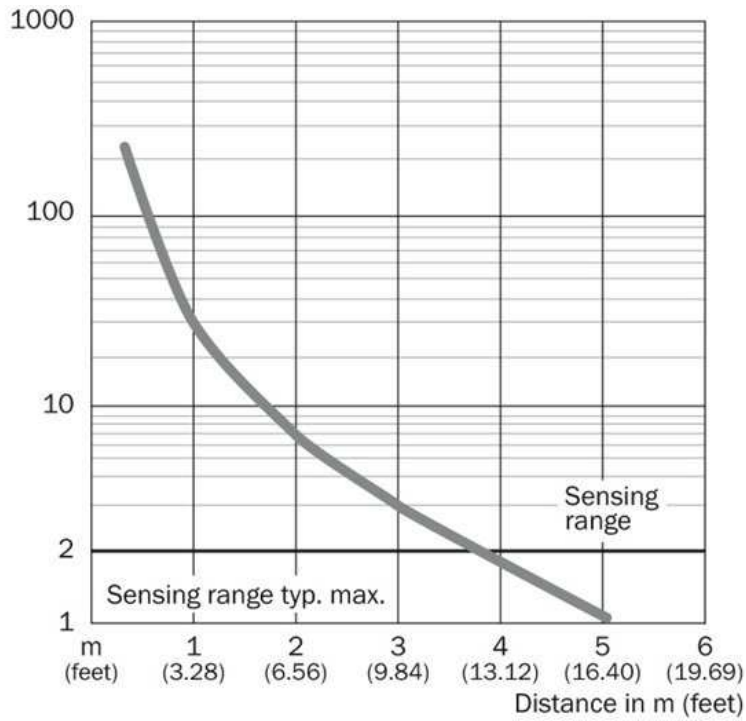
Dimensional drawing



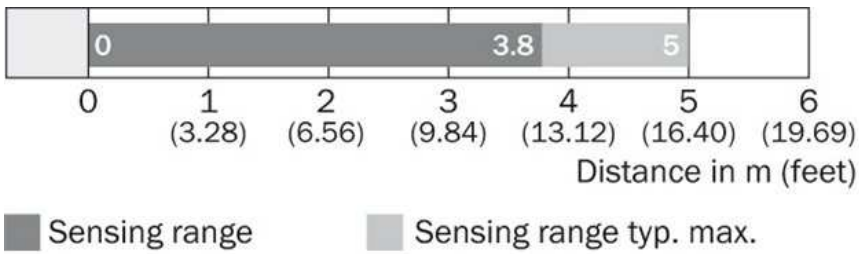
Connection diagram



Characteristic curve



Sensing range diagram



Connection type



Australia

Phone +61 3 9457 0600
1800 33 48 02 – tollfree
E-Mail sales@sick.com.au

Belgium/Luxembourg

Phone +32 (0)2 466 55 66
E-Mail info@sick.be

Brasil

Phone +55 11 3215-4900
E-Mail marketing@sick.com.br

Canada

Phone +1 905 771 14 44
E-Mail information@sick.com

Česká republika

Phone +420 2 57 91 18 50
E-Mail sick@sick.cz

China

Phone +86 4000 121 000
E-Mail info.china@sick.net.cn
Phone +852-2153 6300
E-Mail ghk@sick.com.hk

Danmark

Phone +45 45 82 64 00
E-Mail sick@sick.dk

Deutschland

Phone +49 211 5301-301
E-Mail info@sick.de

España

Phone +34 93 480 31 00
E-Mail info@sick.es

France

Phone +33 1 64 62 35 00
E-Mail info@sick.fr

Great Britain

Phone +44 (0)1727 831121
E-Mail info@sick.co.uk

India

Phone +91-22-4033 8333
E-Mail info@sick-india.com

Israel

Phone +972-4-6881000
E-Mail info@sick-sensors.com

Italia

Phone +39 02 27 43 41
E-Mail info@sick.it

Japan

Phone +81 (0)3 5309 2112
E-Mail support@sick.jp

Magyarország

Phone +36 1 371 2680
E-Mail office@sick.hu

Nederland

Phone +31 (0)30 229 25 44
E-Mail info@sick.nl

Norge

Phone +47 67 81 50 00
E-Mail sick@sick.no

Österreich

Phone +43 (0)22 36 62 28 8-0
E-Mail office@sick.at

Polska

Phone +48 22 837 40 50
E-Mail info@sick.pl

România

Phone +40 356 171 120
E-Mail office@sick.ro

Russia

Phone +7-495-775-05-30
E-Mail info@sick.ru

Schweiz

Phone +41 41 619 29 39
E-Mail contact@sick.ch

Singapore

Phone +65 6744 3732
E-Mail sales.gsg@sick.com

Slovenija

Phone +386 (0)1-47 69 990
E-Mail office@sick.si

South Africa

Phone +27 11 472 3733
E-Mail info@sickautomation.co.za

South Korea

Phone +82 2 786 6321/4
E-Mail info@sickkorea.net

Suomi

Phone +358-9-25 15 800
E-Mail sick@sick.fi

Sverige

Phone +46 10 110 10 00
E-Mail info@sick.se

Taiwan

Phone +886 2 2375-6288
E-Mail sales@sick.com.tw

Türkiye

Phone +90 (216) 528 50 00
E-Mail info@sick.com.tr

United Arab Emirates

Phone +971 (0) 4 88 65 878
E-Mail info@sick.ae

USA/México

Phone +1(952) 941-6780
1 (800) 325-7425 – tollfree
E-Mail info@sickusa.com

More representatives and agencies
at www.sick.com