



Safety controllers
Flexi Soft, Gateway, PROFINET

FX0-GPNT00000



Model Name > [FX0-GPNT0000](#)
Part No. > [1044074](#)



At a glance

- A maximum of 50 bytes of data can get freely configured
- Selectable modes: active heartbeat or passive polling
- Diagnostics interface for all common networks: PROFINET IO, PROFIBUS-DP, EtherCAT, CANopen, Modbus TCP, Ethernet (TCP/IP), DeviceNet
- Diagnostic data is displayed in a text format
- Compact, 22.5 mm width

Your benefits

- Default and status information about all Flexi Soft modules, including EFI devices, provides fast troubleshooting
- Remote diagnostics using TCP/IP capable gateways reduces service repairs and downtime
- CRC-Data is available to verify the configuration



Mechanical data

Dimensions (W x H x D): 22.5 mm x 96.5 mm x 120.6 mm
Weight: 125 g (± 10 %)

Electrical data

Protection class: III (EN 61140)
Voltage supply: Via FLEXBUS+
Internal power consumption: ≤ 2.4 W ¹⁾

¹⁾ Via FLEXBUS+

Interfaces

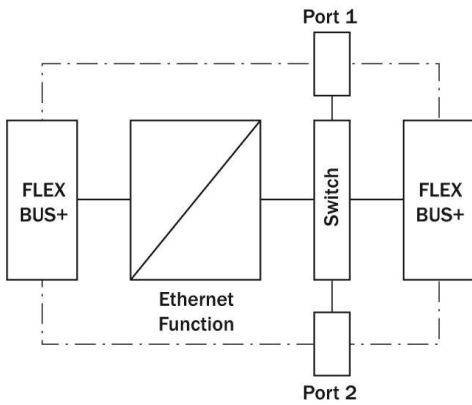
Connection type: 2 x female connector, RJ-45
Fieldbus, industrial network: PROFINET
Type of fieldbus integration: Integrated device
Integrated Ethernet switch: 3-port layer-2 managed switch with Auto-MDI-X for automatic detection of crossed Ethernet cable
Data transmission rate: ≥10 Mbit/s (10Base-T)
≥100 Mbit/s (100Base-TX)
(autosensing)

Ambient data

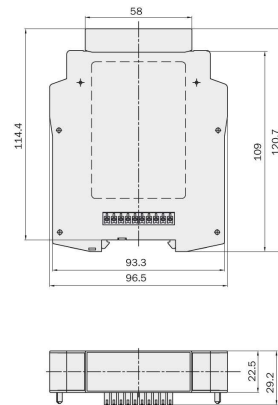
Protection class housing: IP 40 (EN 60529)
Enclosure rating terminals: IP 20 (EN 60529)

Ambient operating temperature:	-25 °C ... +55 °C
Storage temperature:	-25 °C ... +70 °C
Air humidity:	10 % ... 95 %, non-condensing
Climate conditions according to:	EN 61131-2 (55 °C ambient operating temperature, 95% rel. humidity)
Electromagnetic compatibility (EMC):	Class A (EN 61000-6-2, EN 55011)
Vibration resistance:	5 g, 10 Hz ... 500 Hz (EN 60068-2-6)

Connection diagram



Dimensional drawing



Australia

Phone +61 3 9457 0600
1800 33 48 02 – tollfree
E-Mail sales@sick.com.au

Belgium/Luxembourg

Phone +32 (0)2 466 55 66
E-Mail info@sick.be

Brasil

Phone +55 11 3215-4900
E-Mail marketing@sick.com.br

Canada

Phone +1 905 771 14 44
E-Mail information@sick.com

Česká republika

Phone +420 2 57 91 18 50
E-Mail sick@sick.cz

China

Phone +86 4000 121 000
E-Mail info.china@sick.net.cn
Phone +852-2153 6300
E-Mail ghk@sick.com.hk

Danmark

Phone +45 45 82 64 00
E-Mail sick@sick.dk

Deutschland

Phone +49 211 5301-301
E-Mail info@sick.de

España

Phone +34 93 480 31 00
E-Mail info@sick.es

France

Phone +33 1 64 62 35 00
E-Mail info@sick.fr

Great Britain

Phone +44 (0)1727 831121
E-Mail info@sick.co.uk

India

Phone +91-22-4033 8333
E-Mail info@sick-india.com

Israel

Phone +972-4-6881000
E-Mail info@sick-sensors.com

Italia

Phone +39 02 27 43 41
E-Mail info@sick.it

Japan

Phone +81 (0)3 5309 2112
E-Mail support@sick.jp

Magyarország

Phone +36 1 371 2680
E-Mail office@sick.hu

Nederland

Phone +31 (0)30 229 25 44
E-Mail info@sick.nl

Norge

Phone +47 67 81 50 00
E-Mail sick@sick.no

Österreich

Phone +43 (0)22 36 62 28 8-0
E-Mail office@sick.at

Polska

Phone +48 22 837 40 50
E-Mail info@sick.pl

România

Phone +40 356 171 120
E-Mail office@sick.ro

Russia

Phone +7-495-775-05-30
E-Mail info@sick.ru

Schweiz

Phone +41 41 619 29 39
E-Mail contact@sick.ch

Singapore

Phone +65 6744 3732
E-Mail sales.gsg@sick.com

Slovenija

Phone +386 (0)1-47 69 990
E-Mail office@sick.si

South Africa

Phone +27 11 472 3733
E-Mail info@sickautomation.co.za

South Korea

Phone +82 2 786 6321/4
E-Mail info@sickkorea.net

Suomi

Phone +358-9-25 15 800
E-Mail sick@sick.fi

Sverige

Phone +46 10 110 10 00
E-Mail info@sick.se

Taiwan

Phone +886 2 2375-6288
E-Mail sales@sick.com.tw

Türkiye

Phone +90 (216) 528 50 00
E-Mail info@sick.com.tr

United Arab Emirates

Phone +971 (0) 4 88 65 878
E-Mail info@sick.ae

USA/México

Phone +1(952) 941-6780
1 (800) 325-7425 – tollfree
E-Mail info@sickusa.com

More representatives and agencies
at www.sick.com