



Safety controllers  
Flexi Soft, Gateway, CANopen

FX0-GCAN00000



**Model Name** > [FX0-GCAN00000](#)  
**Part No.** > [1044076](#)



**At a glance**

- A maximum of 50 bytes of data can get freely configured
- Selectable modes: active heartbeat or passive polling
- Diagnostics interface for all common networks: PROFINET IO, PROFIBUS-DP, EtherCAT, CANopen, Modbus TCP, Ethernet (TCP/IP), DeviceNet
- Diagnostic data is displayed in a text format
- Compact, 22.5 mm width

**Your benefits**

- Default and status information about all Flexi Soft modules, including EFI devices, provides fast troubleshooting
- CRC-Data is available to verify the configuration



**Mechanical data**

Dimensions (W x H x D): 22.5 mm x 96.5 mm x 131 mm  
Weight: 150 g (± 10 %)

**Electrical data**

Protection class: III (EN 61140)  
Voltage supply: Via FLEXBUS+  
Internal power consumption: ≤ 1.6 W <sup>1)</sup>

<sup>1)</sup> Via FLEXBUS+

**Interfaces**

Connection type: 1 x female connector, Open Style, 5-pin  
Fieldbus, industrial network: CANopen  
Type of fieldbus integration: Integrated device  
Data transmission rate: ≤1,000 kbit/s <sup>1)</sup>

<sup>1)</sup> Depending on cable length

**Ambient data**

Protection class housing: IP 40 (EN 60529)  
Enclosure rating terminals: IP 20 (EN 60529)  
Ambient operating temperature: -25 °C ... +55 °C  
Storage temperature: -25 °C ... +70 °C

Air humidity:

10 % ... 95 %, non-condensing

Climate conditions according to:

EN 61131-2 (55 °C ambient operating temperature, 95% rel. humidity)

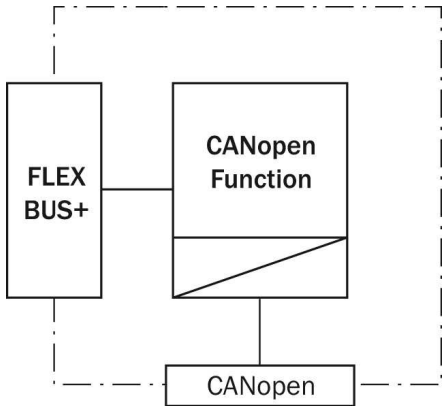
Electromagnetic compatibility (EMC):

Class A (EN 61000-6-2, EN 55011)

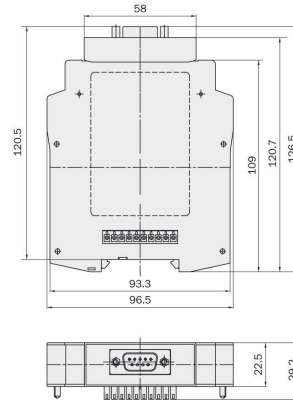
Vibration resistance:

5 g, 10 Hz ... 500 Hz (EN 60068-2-6)

### Connection diagram



### Dimensional drawing



**Australia**

Phone +61 3 9457 0600  
1800 33 48 02 – tollfree  
E-Mail sales@sick.com.au

**Belgium/Luxembourg**

Phone +32 (0)2 466 55 66  
E-Mail info@sick.be

**Brasil**

Phone +55 11 3215-4900  
E-Mail marketing@sick.com.br

**Canada**

Phone +1 905 771 14 44  
E-Mail information@sick.com

**Česká republika**

Phone +420 2 57 91 18 50  
E-Mail sick@sick.cz

**China**

Phone +86 4000 121 000  
E-Mail info.china@sick.net.cn  
Phone +852-2153 6300  
E-Mail ghk@sick.com.hk

**Danmark**

Phone +45 45 82 64 00  
E-Mail sick@sick.dk

**Deutschland**

Phone +49 211 5301-301  
E-Mail info@sick.de

**España**

Phone +34 93 480 31 00  
E-Mail info@sick.es

**France**

Phone +33 1 64 62 35 00  
E-Mail info@sick.fr

**Great Britain**

Phone +44 (0)1727 831121  
E-Mail info@sick.co.uk

**India**

Phone +91-22-4033 8333  
E-Mail info@sick-india.com

**Israel**

Phone +972-4-6881000  
E-Mail info@sick-sensors.com

**Italia**

Phone +39 02 27 43 41  
E-Mail info@sick.it

**Japan**

Phone +81 (0)3 5309 2112  
E-Mail support@sick.jp

**Magyarország**

Phone +36 1 371 2680  
E-Mail office@sick.hu

**Nederland**

Phone +31 (0)30 229 25 44  
E-Mail info@sick.nl

**Norge**

Phone +47 67 81 50 00  
E-Mail sick@sick.no

**Österreich**

Phone +43 (0)22 36 62 28 8-0  
E-Mail office@sick.at

**Polska**

Phone +48 22 837 40 50  
E-Mail info@sick.pl

**România**

Phone +40 356 171 120  
E-Mail office@sick.ro

**Russia**

Phone +7-495-775-05-30  
E-Mail info@sick.ru

**Schweiz**

Phone +41 41 619 29 39  
E-Mail contact@sick.ch

**Singapore**

Phone +65 6744 3732  
E-Mail sales.gsg@sick.com

**Slovenija**

Phone +386 (0)1-47 69 990  
E-Mail office@sick.si

**South Africa**

Phone +27 11 472 3733  
E-Mail info@sickautomation.co.za

**South Korea**

Phone +82 2 786 6321/4  
E-Mail info@sickkorea.net

**Suomi**

Phone +358-9-25 15 800  
E-Mail sick@sick.fi

**Sverige**

Phone +46 10 110 10 00  
E-Mail info@sick.se

**Taiwan**

Phone +886 2 2375-6288  
E-Mail sales@sick.com.tw

**Türkiye**

Phone +90 (216) 528 50 00  
E-Mail info@sick.com.tr

**United Arab Emirates**

Phone +971 (0) 4 88 65 878  
E-Mail info@sick.ae

**USA/México**

Phone +1(952) 941-6780  
1 (800) 325-7425 – tollfree  
E-Mail info@sickusa.com

More representatives and agencies  
at [www.sick.com](http://www.sick.com)