



Contrast sensors KT3, KT3

KT3M-N1116



Model Name > [KT3M-N1116](#)
Part No. > [1044593](#)



At a glance

- Very small housing
- 3-color RGB technology or white LED
- Simple teach-in (when machine is stopped or during operation)
- Integrated switching threshold adjustment for high-gloss objects
- Reliable operation for jittering materials
- Switching frequency of 10 kHz

Your benefits

- Compact design fits in applications with limited space
- 3-color RGB technology enables universal operation with an extremely wide range of weak contrast combinations
- White LED model detects several different marks
- Simple teach-in to optimally set transmission color, switching point and surface shine
- Very good contrast resolution for detecting print marks, even where the variation between the mark and the background is minimal
- Automatic adaptation for high-gloss objects ensures high throughput
- Reliable operation for jittering materials
- Accurate positioning in rapid production processes

The product is currently being phased out and can be ordered until December 31, 2015. Please contact your SICK sales representative for more information about a replacement product. For new projects please select a product out of the KTM family.



Features

Sensing distance:	12.5 mm
Sensing distance tolerance:	± 2 mm
Light source ¹⁾ :	LED
Wave length:	400 nm ... 700 nm
Light spot size:	1.5 mm x 3.5 mm
Light spot direction ²⁾ :	Vertical
Type of light:	Visible white light
Dimensions (W x H x D):	12 mm x 40 mm x 22 mm
Housing design (light emission):	Rectangular
Teach-in mode:	Static 2-point teach-in

1) Average service life of 100,000 h at $T_A = +25\text{ °C}$ 2) In relation to long side of housing

Mechanics/electronics

Ripple ¹⁾ :	≤ 5 Vpp
Power consumption ²⁾ :	< 35 mA
Switching frequency ³⁾ :	10 kHz
Response time ⁴⁾ :	50 μs
Output type:	NPN: HIGH = approx. VS / LOW ≤ 2 V
Switching mode:	NPN
Input, teach-in (ET):	NPN:, Run: U = 10 V ... < U _V , Teach: U < 2 V
Retention time (ET):	25 ms, non-volatile memory
Connection type:	Connector M12, 4-pin
Protection class ⁵⁾ :	II
Circuit protection:	Output Q short-circuit protected, Interference suppression, VS connections reverse-polarity protected
Enclosure rating:	IP 67, IP 67
Weight:	11 g
Housing material:	ABS, Plastic
Output current I _{max} .:	100 mA
Supply voltage:	12 V DC ... 24 V DC ⁶⁾
Fieldbus interface:	-

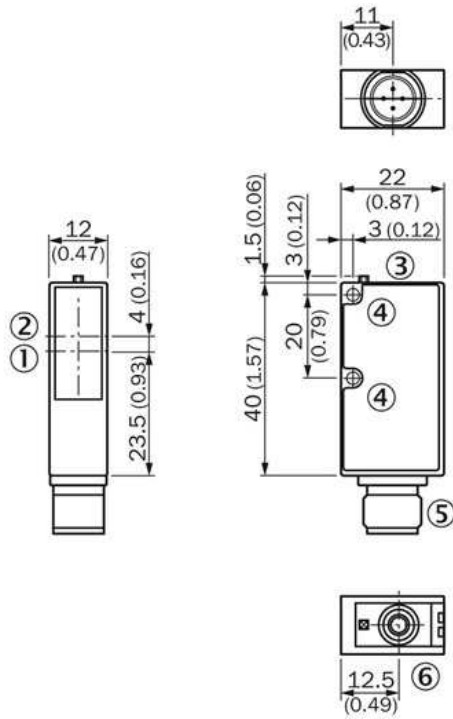
1) May not exceed or fall short of V_S tolerances 2) Without load 3) With light/dark ratio 1:1 4) Signal transit time with resistive load 5) Reference voltage DC 50 V 6)

Limit values: DC 12 V (-10 %) ... DC 24 V (+20 %). Operation in short-circuit protected network max. 8 A

Ambient data

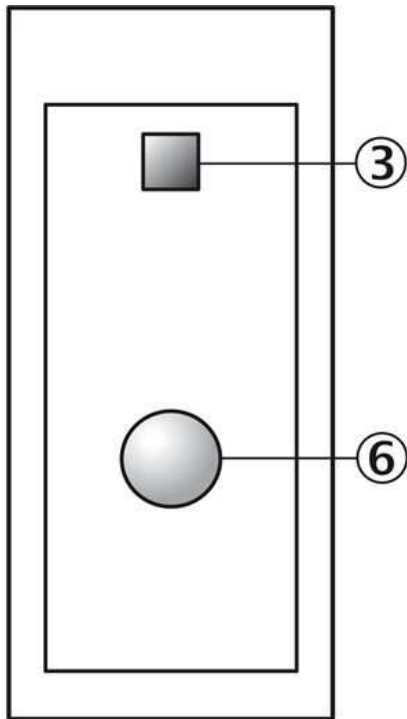
Shock load:	According to IEC 60068
UL File No.:	NRKH.E181493 & NRKH7.E181493
Ambient operating temperature:	-10 °C ... +55 °C
Ambient storage temperature:	-20 °C ... +75 °C

Dimensional drawing



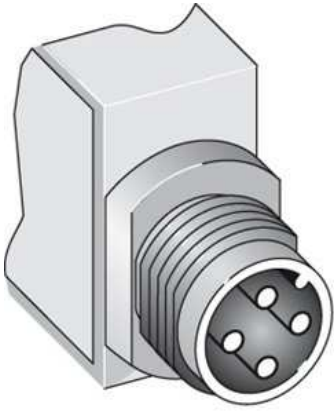
- |1| Center of optical axis, sender
- |2| Center of optical axis, receiver
- |3| LED signal strength indicator
- |4| Mounting hole, Ø 3 mm
- |5| Connector M12
- |6| Teach-in button

Adjustments

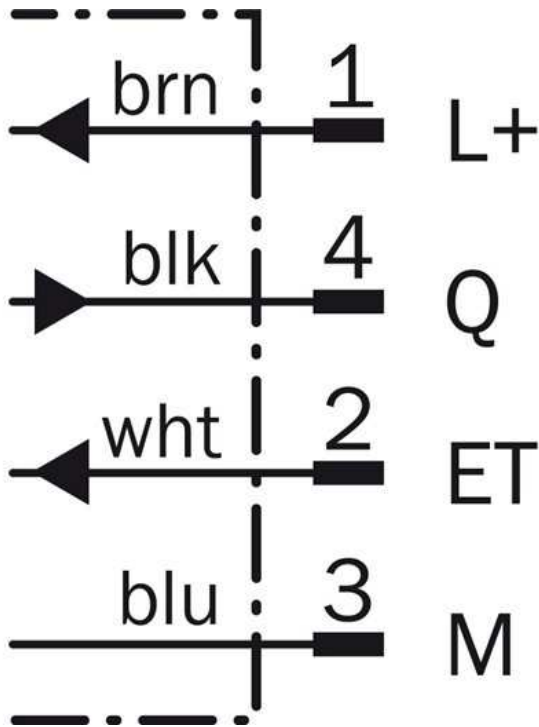


- |3| LED signal strength indicator
- |6| Teach-in button

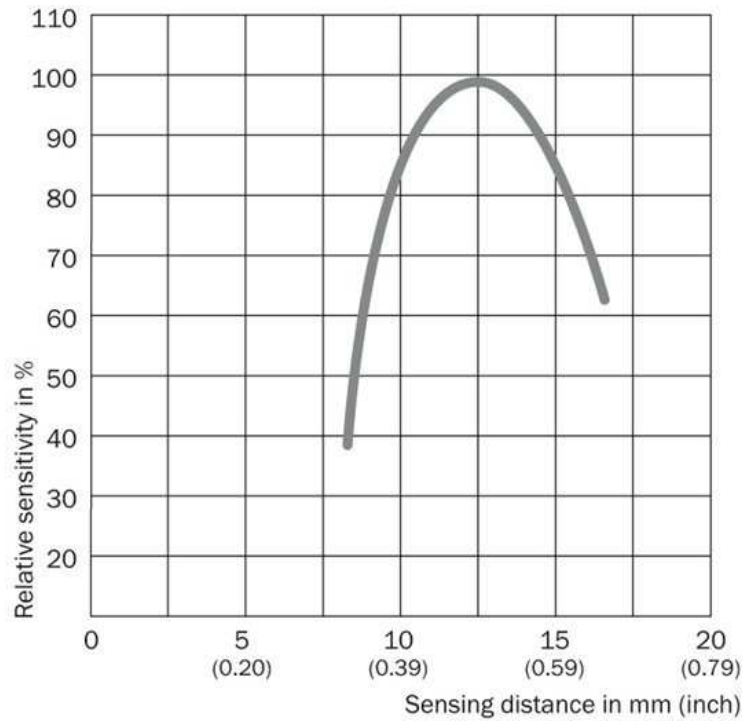
Connection type



Connection diagram



Sensing distance



Australia

Phone +61 3 9457 0600
1800 33 48 02 – tollfree
E-Mail sales@sick.com.au

Belgium/Luxembourg

Phone +32 (0)2 466 55 66
E-Mail info@sick.be

Brasil

Phone +55 11 3215-4900
E-Mail marketing@sick.com.br

Canada

Phone +1 905 771 14 44
E-Mail information@sick.com

Česká republika

Phone +420 2 57 91 18 50
E-Mail sick@sick.cz

China

Phone +86 4000 121 000
E-Mail info.china@sick.net.cn
Phone +852-2153 6300
E-Mail ghk@sick.com.hk

Danmark

Phone +45 45 82 64 00
E-Mail sick@sick.dk

Deutschland

Phone +49 211 5301-301
E-Mail info@sick.de

España

Phone +34 93 480 31 00
E-Mail info@sick.es

France

Phone +33 1 64 62 35 00
E-Mail info@sick.fr

Great Britain

Phone +44 (0)1727 831121
E-Mail info@sick.co.uk

India

Phone +91-22-4033 8333
E-Mail info@sick-india.com

Israel

Phone +972-4-6881000
E-Mail info@sick-sensors.com

Italia

Phone +39 02 27 43 41
E-Mail info@sick.it

Japan

Phone +81 (0)3 5309 2112
E-Mail support@sick.jp

Magyarország

Phone +36 1 371 2680
E-Mail office@sick.hu

Nederland

Phone +31 (0)30 229 25 44
E-Mail info@sick.nl

Norge

Phone +47 67 81 50 00
E-Mail sick@sick.no

Österreich

Phone +43 (0)22 36 62 28 8-0
E-Mail office@sick.at

Polska

Phone +48 22 837 40 50
E-Mail info@sick.pl

România

Phone +40 356 171 120
E-Mail office@sick.ro

Russia

Phone +7-495-775-05-30
E-Mail info@sick.ru

Schweiz

Phone +41 41 619 29 39
E-Mail contact@sick.ch

Singapore

Phone +65 6744 3732
E-Mail sales.gsg@sick.com

Slovenija

Phone +386 (0)1-47 69 990
E-Mail office@sick.si

South Africa

Phone +27 11 472 3733
E-Mail info@sickautomation.co.za

South Korea

Phone +82 2 786 6321/4
E-Mail info@sickkorea.net

Suomi

Phone +358-9-25 15 800
E-Mail sick@sick.fi

Sverige

Phone +46 10 110 10 00
E-Mail info@sick.se

Taiwan

Phone +886 2 2375-6288
E-Mail sales@sick.com.tw

Türkiye

Phone +90 (216) 528 50 00
E-Mail info@sick.com.tr

United Arab Emirates

Phone +971 (0) 4 88 65 878
E-Mail info@sick.ae

USA/México

Phone +1(952) 941-6780
1 (800) 325-7425 – tollfree
E-Mail info@sickusa.com

More representatives and agencies
at www.sick.com