



Photoelectric sensors  
Z2, Photoelectric retro-reflective sensor

ZL2-E2415



**Model Name** > [ZL2-E2415](#)  
**Part No.** > [1045390](#)



*Illustration may differ*

**At a glance**

- Photoelectric retro-reflective sensor with 4.8 m sensing distance; no setting options
- Compact, transparent housing with 360° status indication
- M18 front mount and 24-25.2 mm slotted side through holes compatible with competitor devices
- Connection system: angled cable outlet (60°) or M12 or M8 plug connector

**Your benefits**

- Low-cost retro-reflective sensor for standard applications
- Clear housing provides 360° status indication, which simplifies troubleshooting
- Unique mounting options lower installation costs
- Small size fits applications with limited space
- Compatibility with competitor products for easy integration into existing systems



**Features**

Sensor/detection principle:	Photoelectric retro-reflective sensor
Dimensions (W x H x D):	13.6 mm x 34.8 mm x 21.9 mm
Housing design (light emission):	Hybrid
Thread diameter (housing):	M18 x 1
Sensing range max.:	0.1 m ... 4.8 m <sup>1)</sup>
Sensing range:	0.1 m ... 3 m <sup>2)</sup>
Type of light:	Visible red light
Light source:	LED <sup>3)</sup>
Wave length:	660 nm
Light spot size (distance):	125 mm (1 m)

<sup>1) 2)</sup> PL80A <sup>3)</sup> Average service life of 100,000 h at T<sub>A</sub> = +25 °C

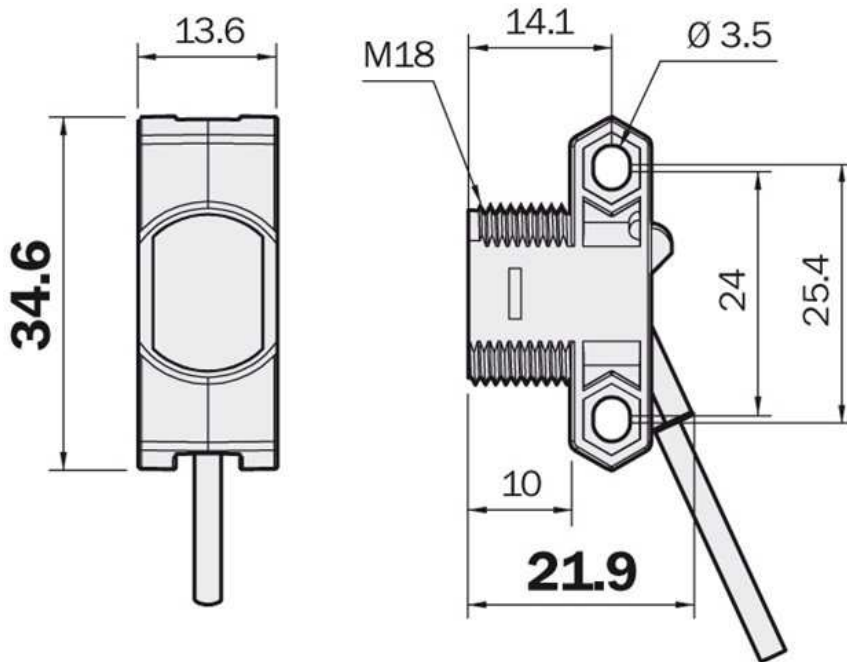
**Mechanics/electronics**

Supply voltage:	10 V DC ... 30 V DC <sup>1)</sup>
Power consumption:	< 20 mA <sup>2)</sup>
Output type:	NPN
Switching mode:	Dark switching
Output current I <sub>max.</sub> :	50 mA
Switching frequency:	400 Hz <sup>3)</sup>
Connection type:	Cable, 3-wire, 2 m <sup>4)</sup>

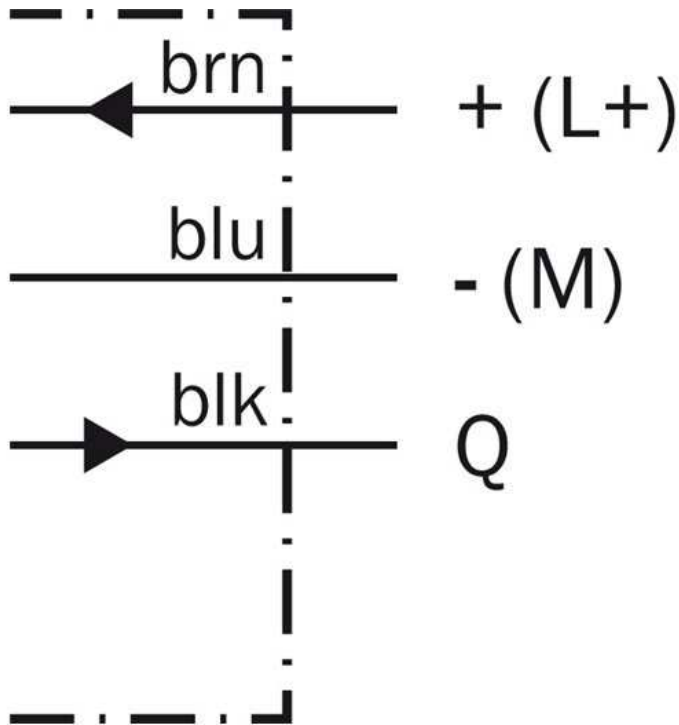
Cable material:	PVC
Conductor cross-section:	0.23 mm <sup>2</sup>
Circuit protection::	A, D <sup>5) 6)</sup>
Protection class:	III <sup>7)</sup>
Polarisation filter:	✓
Housing material:	Glass fiber reinforced ABS plastic, Plastic
Enclosure rating:	IP 67
Items supplied:	Mounting nut M18
Ambient operating temperature:	-25 °C ... 50 °C
Ambient storage temperature:	-40 °C ... 70 °C

1) Limit values 2) Without load 3) With light/dark ratio 1:1 4) Do not bend below 0 °C 5) A = V<sub>S</sub> connections reverse-polarity protected 6) D = outputs overcurrent and short-circuit protected 7) Reference voltage 50 V DC

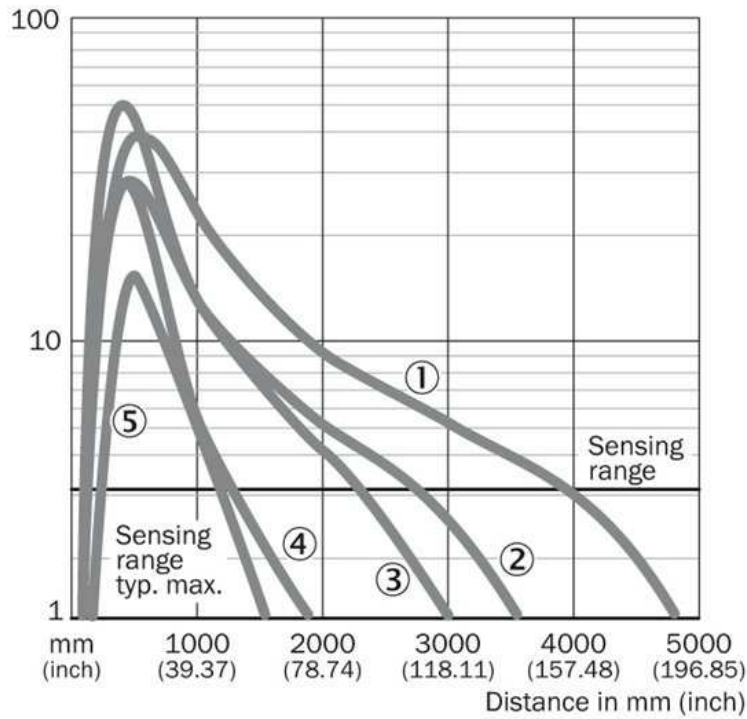
### Dimensional drawing



Connection diagram

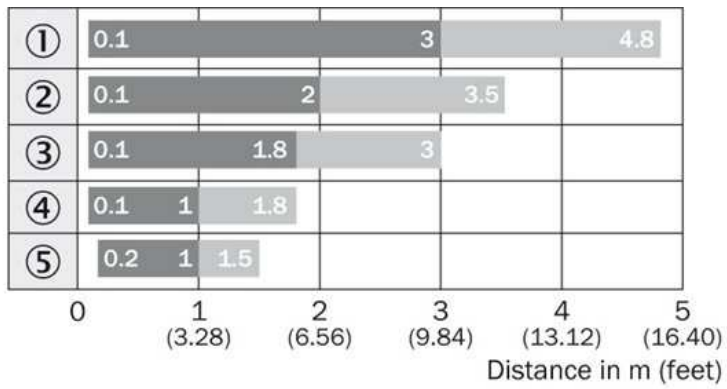


Characteristic curve



- |1| PL80A
- |2| P250
- |3| PL40A
- |4| PL20A
- |5| Reflective tape REF-Plus

## Sensing range diagram



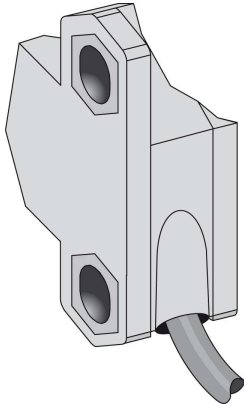
- |1| PL80A
- |2| P250
- |3| PL40A
- |4| PL20A
- |5| Reflective tape REF-Plus

■ Sensing range      ■ Sensing range typ. max.

## Reflector type

- ① PL80A
- ② P250
- ③ PL40A
- ④ PL20A
- ⑤ REF-PLUS

## Connection type



**Australia**

Phone +61 3 9457 0600  
1800 33 48 02 – tollfree  
E-Mail sales@sick.com.au

**Belgium/Luxembourg**

Phone +32 (0)2 466 55 66  
E-Mail info@sick.be

**Brasil**

Phone +55 11 3215-4900  
E-Mail marketing@sick.com.br

**Canada**

Phone +1 905 771 14 44  
E-Mail information@sick.com

**Česká republika**

Phone +420 2 57 91 18 50  
E-Mail sick@sick.cz

**China**

Phone +86 4000 121 000  
E-Mail info.china@sick.net.cn  
Phone +852-2153 6300  
E-Mail ghk@sick.com.hk

**Danmark**

Phone +45 45 82 64 00  
E-Mail sick@sick.dk

**Deutschland**

Phone +49 211 5301-301  
E-Mail info@sick.de

**España**

Phone +34 93 480 31 00  
E-Mail info@sick.es

**France**

Phone +33 1 64 62 35 00  
E-Mail info@sick.fr

**Great Britain**

Phone +44 (0)1727 831121  
E-Mail info@sick.co.uk

**India**

Phone +91-22-4033 8333  
E-Mail info@sick-india.com

**Israel**

Phone +972-4-6881000  
E-Mail info@sick-sensors.com

**Italia**

Phone +39 02 27 43 41  
E-Mail info@sick.it

**Japan**

Phone +81 (0)3 5309 2112  
E-Mail support@sick.jp

**Magyarország**

Phone +36 1 371 2680  
E-Mail office@sick.hu

**Nederland**

Phone +31 (0)30 229 25 44  
E-Mail info@sick.nl

**Norge**

Phone +47 67 81 50 00  
E-Mail sick@sick.no

**Österreich**

Phone +43 (0)22 36 62 28 8-0  
E-Mail office@sick.at

**Polska**

Phone +48 22 837 40 50  
E-Mail info@sick.pl

**România**

Phone +40 356 171 120  
E-Mail office@sick.ro

**Russia**

Phone +7-495-775-05-30  
E-Mail info@sick.ru

**Schweiz**

Phone +41 41 619 29 39  
E-Mail contact@sick.ch

**Singapore**

Phone +65 6744 3732  
E-Mail sales.gsg@sick.com

**Slovenija**

Phone +386 (0)1-47 69 990  
E-Mail office@sick.si

**South Africa**

Phone +27 11 472 3733  
E-Mail info@sickautomation.co.za

**South Korea**

Phone +82 2 786 6321/4  
E-Mail info@sickkorea.net

**Suomi**

Phone +358-9-25 15 800  
E-Mail sick@sick.fi

**Sverige**

Phone +46 10 110 10 00  
E-Mail info@sick.se

**Taiwan**

Phone +886 2 2375-6288  
E-Mail sales@sick.com.tw

**Türkiye**

Phone +90 (216) 528 50 00  
E-Mail info@sick.com.tr

**United Arab Emirates**

Phone +971 (0) 4 88 65 878  
E-Mail info@sick.ae

**USA/México**

Phone +1(952) 941-6780  
1 (800) 325-7425 – tollfree  
E-Mail info@sickusa.com

More representatives and agencies  
at [www.sick.com](http://www.sick.com)