



Bar code scanners
CLV50x / CLV505 / Mid Range

CLV505-0000



Model Name > [CLV505-0000](#)
Part No. > [1046317](#)



At a glance

- Extremely compact
- Lightweight
- Easy commissioning
- Fast and reliable decoding even on poorly printed or partly damaged codes
- Available in RS-232 version with flying leads and USB version
- Pushbutton trigger
- Discrete trigger input and good read/no read outputs (flying lead variant only)
- CLV505 available in raster version

Your benefits

- Small size and simple setup enables fast installation, even in compact machines
- Fast and easy commissioning using configuration bar codes (shipped with each scanner) and the online tool
- Excellent reading performance - even with poorly printed codes - ensures high throughput
- Pushbutton trigger, onboard LED, and audible beep simplify setup and troubleshooting



Features

Version:	Mid Range
Connection type:	Standard
Reading field:	Front
Scanner design:	Line scanner
Focus:	Fixed focus
Light source:	Visible red light (650 nm)
MTBF:	10,000 h
Laser class:	2
Field of view:	≤ 40 °
Code resolution:	0.15 mm ... 1 mm
Reading distance:	60 mm ... 330 mm ¹⁾
Scanning frequency:	≤ 1,000 Hz

¹⁾ For details see reading field diagram

Performance

Bar code types: 2/5 Industrial, Interleaved 2 of 5, China Post, Codabar, Code 11, Code 128, Code 39, Code 39 Trioptic, Code 93, GS1 DataBar (Expanded, Limited, Truncated, 14 Stacked, Expanded Stacked, Stacked, with Composite A/B), IATA, ISBN-ISMN-ISSN, JAN, Korea Post, Matrix 2 of 5, MSI/Plessey, S-Code, Telepen, UK/Plessey, UPC/GTIN/EAN

Interfaces

Serial (RS-232): ✓
Data transmission rate (Serial (RS-232)): ≤ 115,200 Baud
USB: -
Switching inputs: 1 (Reading pulse trigger)
Switching outputs: 2 ("Good Read"/"No Read")
Reading pulse: Switching input, Serial command, Button at housing
Optical indicators: 1 LED
Acoustic indicators: Beeper/buzzer

Mechanics/electronics

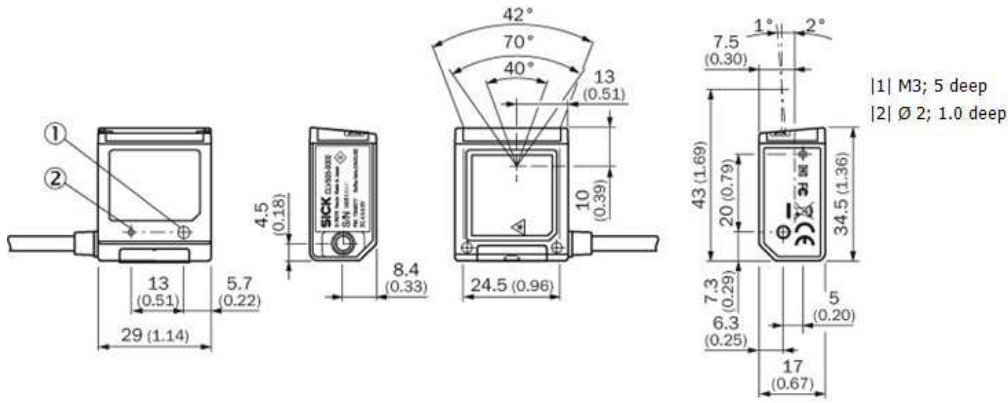
Electrical connection: 1 x open cable end
Operating voltage: 5 V DC ± 10 %
Housing color: Light blue (RAL 5012)
Enclosure rating: IP 54
Protection class: III
Weight: 30 g, without cable
Dimensions: 29 mm x 34.5 mm x 17 mm

Ambient data

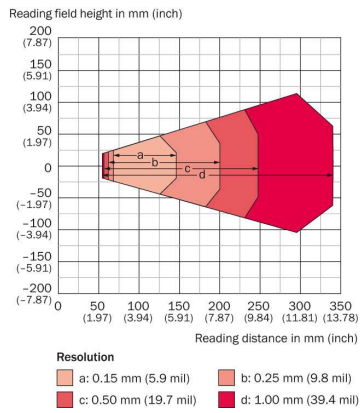
Electromagnetic compatibility (EMC): EN 61000-6-3 (2007-01) ¹⁾
Ambient operating temperature: 0 °C ... +45 °C
Permissible relative humidity: ± 90 %, non-condensing
Ambient light safety: 2,000 lx
Bar code print contrast (PCS): ≥ 45 %

¹⁾ For ESD safe installation

Dimensional drawing



Reading field diagram



Australia

Phone +61 3 9457 0600
1800 33 48 02 – tollfree
E-Mail sales@sick.com.au

Belgium/Luxembourg

Phone +32 (0)2 466 55 66
E-Mail info@sick.be

Brasil

Phone +55 11 3215-4900
E-Mail marketing@sick.com.br

Canada

Phone +1 905 771 14 44
E-Mail information@sick.com

Česká republika

Phone +420 2 57 91 18 50
E-Mail sick@sick.cz

China

Phone +86 4000 121 000
E-Mail info.china@sick.net.cn
Phone +852-2153 6300
E-Mail ghk@sick.com.hk

Danmark

Phone +45 45 82 64 00
E-Mail sick@sick.dk

Deutschland

Phone +49 211 5301-301
E-Mail info@sick.de

España

Phone +34 93 480 31 00
E-Mail info@sick.es

France

Phone +33 1 64 62 35 00
E-Mail info@sick.fr

Great Britain

Phone +44 (0)1727 831121
E-Mail info@sick.co.uk

India

Phone +91-22-4033 8333
E-Mail info@sick-india.com

Israel

Phone +972-4-6881000
E-Mail info@sick-sensors.com

Italia

Phone +39 02 27 43 41
E-Mail info@sick.it

Japan

Phone +81 (0)3 5309 2112
E-Mail support@sick.jp

Magyarország

Phone +36 1 371 2680
E-Mail office@sick.hu

Nederland

Phone +31 (0)30 229 25 44
E-Mail info@sick.nl

Norge

Phone +47 67 81 50 00
E-Mail sick@sick.no

Österreich

Phone +43 (0)22 36 62 28 8-0
E-Mail office@sick.at

Polska

Phone +48 22 837 40 50
E-Mail info@sick.pl

România

Phone +40 356 171 120
E-Mail office@sick.ro

Russia

Phone +7-495-775-05-30
E-Mail info@sick.ru

Schweiz

Phone +41 41 619 29 39
E-Mail contact@sick.ch

Singapore

Phone +65 6744 3732
E-Mail sales.gsg@sick.com

Slovenija

Phone +386 (0)1-47 69 990
E-Mail office@sick.si

South Africa

Phone +27 11 472 3733
E-Mail info@sickautomation.co.za

South Korea

Phone +82 2 786 6321/4
E-Mail info@sickkorea.net

Suomi

Phone +358-9-25 15 800
E-Mail sick@sick.fi

Sverige

Phone +46 10 110 10 00
E-Mail info@sick.se

Taiwan

Phone +886 2 2375-6288
E-Mail sales@sick.com.tw

Türkiye

Phone +90 (216) 528 50 00
E-Mail info@sick.com.tr

United Arab Emirates

Phone +971 (0) 4 88 65 878
E-Mail info@sick.ae

USA/México

Phone +1(952) 941-6780
1 (800) 325-7425 – tollfree
E-Mail info@sickusa.com

More representatives and agencies
at www.sick.com