



Photoelectric sensors  
W14-2, Photoelectric retro-reflective sensor,  
Standard optics

WL14-2P430P06



**Model Name** > [WL14-2P430P06](#)  
**Part No.** > [1046327](#)



*Illustration may differ*

**At a glance**

- PinPoint LED with small, bright and precise light spot
- Polarizing filter
- High immunity to ambient light
- Rugged plastic housing

**Your benefits**

- Very long sensing ranges due to high-energy PinPoint LED
- Quick and easy installation due to highly visible red light
- Reliable object detection, even on shiny objects due to a polarizing filter
- Crosstalk and ambient light immunity reduces false readings and downtime
- High availability in the field



**Features**

Sensor/detection principle:	Photoelectric retro-reflective sensor, Standard optics
Dimensions (W x H x D):	17.6 mm x 75.5 mm x 33.5 mm
Housing design (light emission):	Rectangular
Sensing range max.:	0.15 m ... 17 m <sup>1)</sup>
Sensing range:	0.15 m ... 12 m <sup>2)</sup>
Type of light:	Visible red light
Light source:	PinPoint LED <sup>3)</sup>
Wave length:	637 nm
Angle of dispersion:	Ca. 0.9 °
Light spot size (distance):	Ø 30 mm (2 m)

<sup>1) 2)</sup> PL80A <sup>3)</sup> Average service life of 100,000 h at T<sub>A</sub> = +25 °C

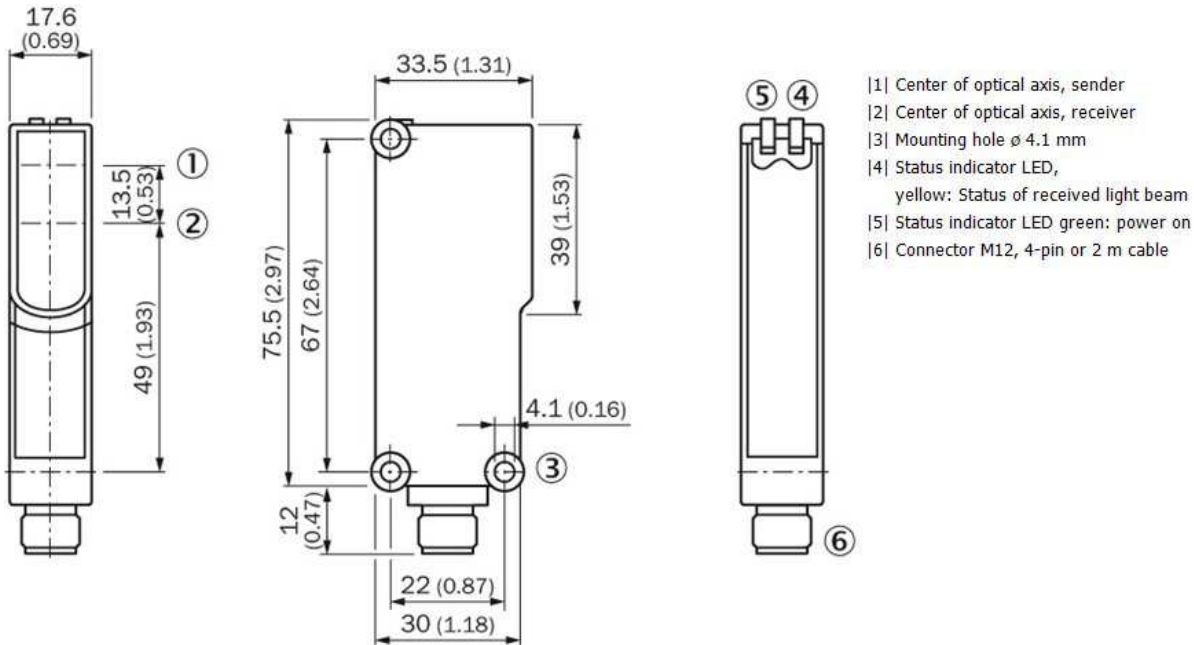
**Mechanics/electronics**

Supply voltage:	10 V DC ... 30 V DC <sup>1)</sup>
Power consumption:	≤ 35 mA <sup>2)</sup>
Output type:	PNP
Output function:	Complementary
Switching mode:	Light/dark switching
Output current I <sub>max.</sub> :	≤ 100 mA
Response time:	≤ 2.5 ms <sup>3)</sup>
Switching frequency:	200 Hz <sup>4)</sup>
Connection type:	Connector M12, 4-pin

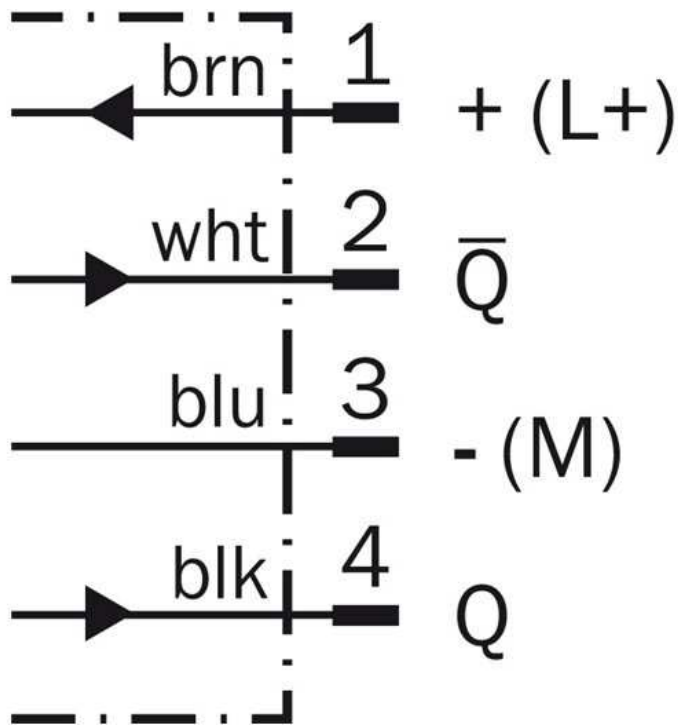
Circuit protection::	A, C, D <sup>5) 6) 7)</sup>
Weight:	40 g
Polarisation filter:	✓
Special device:	✓
Housing material:	ABS, Plastic
Optics material:	PMMA
Enclosure rating:	IP 67
Items supplied:	Mounting bracket BEF-KHP-C01, Mounting bracket BEF-KHP-J01, Mounting bracket BEF-KHS-KH2, Sensor premounted
Ambient operating temperature:	-25 °C ... 60 °C
Ambient storage temperature:	-40 °C ... 70 °C

<sup>1)</sup> Limit values, operation in short-circuit protected network max. 8 A <sup>2)</sup> Without load <sup>3)</sup> Signal transit time with resistive load <sup>4)</sup> With light/dark ratio 1:1 <sup>5)</sup> A = V<sub>S</sub>  
connections reverse-polarity protected <sup>6)</sup> C = interference suppression <sup>7)</sup> D = outputs overcurrent and short-circuit protected

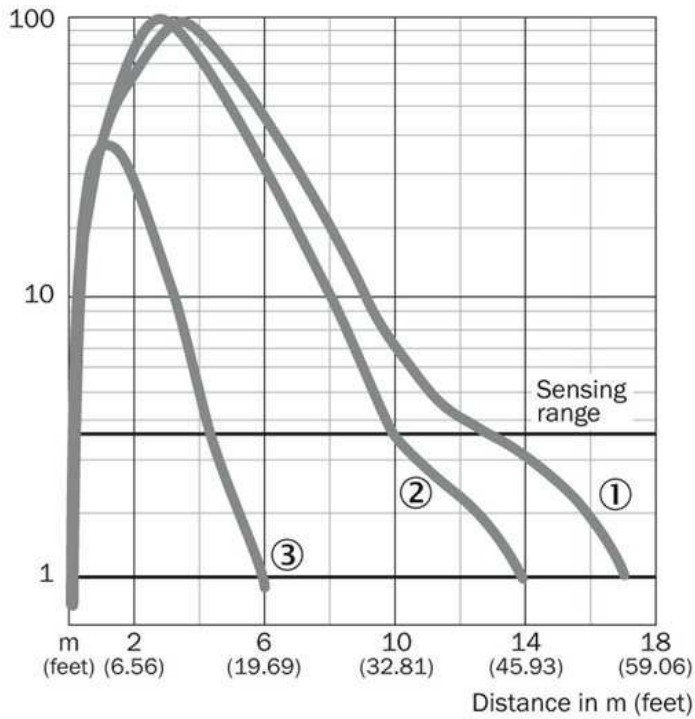
### Dimensional drawing



Connection diagram

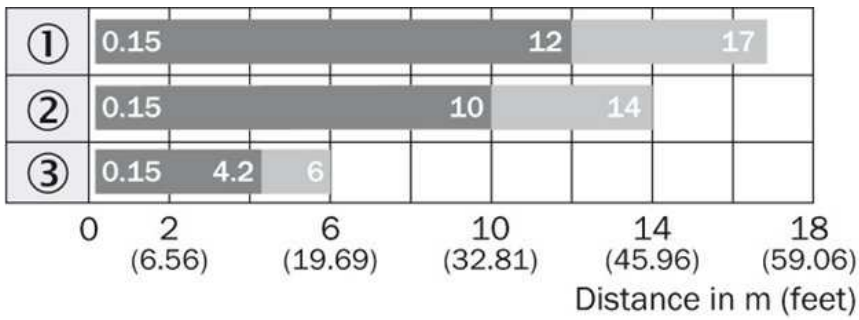


Characteristic curve



- |1| PL80A
- |2| PL40A
- |3| Reflective tape REF-IRF-56

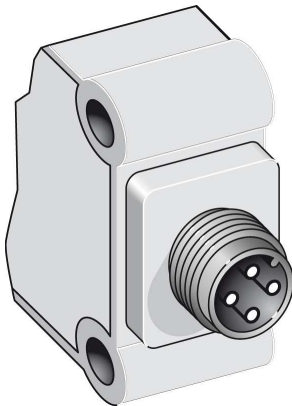
### Sensing range diagram



- |1| PL80A
- |2| PL40A
- |3| Reflective tape REF-IRF-56

■ Sensing range      ■ Sensing range max.

### Connection type



**Australia**

Phone +61 3 9457 0600  
1800 33 48 02 – tollfree  
E-Mail sales@sick.com.au

**Belgium/Luxembourg**

Phone +32 (0)2 466 55 66  
E-Mail info@sick.be

**Brasil**

Phone +55 11 3215-4900  
E-Mail marketing@sick.com.br

**Canada**

Phone +1 905 771 14 44  
E-Mail information@sick.com

**Česká republika**

Phone +420 2 57 91 18 50  
E-Mail sick@sick.cz

**China**

Phone +86 4000 121 000  
E-Mail info.china@sick.net.cn  
Phone +852-2153 6300  
E-Mail ghk@sick.com.hk

**Danmark**

Phone +45 45 82 64 00  
E-Mail sick@sick.dk

**Deutschland**

Phone +49 211 5301-301  
E-Mail info@sick.de

**España**

Phone +34 93 480 31 00  
E-Mail info@sick.es

**France**

Phone +33 1 64 62 35 00  
E-Mail info@sick.fr

**Great Britain**

Phone +44 (0)1727 831121  
E-Mail info@sick.co.uk

**India**

Phone +91-22-4033 8333  
E-Mail info@sick-india.com

**Israel**

Phone +972-4-6881000  
E-Mail info@sick-sensors.com

**Italia**

Phone +39 02 27 43 41  
E-Mail info@sick.it

**Japan**

Phone +81 (0)3 5309 2112  
E-Mail support@sick.jp

**Magyarország**

Phone +36 1 371 2680  
E-Mail office@sick.hu

**Nederland**

Phone +31 (0)30 229 25 44  
E-Mail info@sick.nl

**Norge**

Phone +47 67 81 50 00  
E-Mail sick@sick.no

**Österreich**

Phone +43 (0)22 36 62 28 8-0  
E-Mail office@sick.at

**Polska**

Phone +48 22 837 40 50  
E-Mail info@sick.pl

**România**

Phone +40 356 171 120  
E-Mail office@sick.ro

**Russia**

Phone +7-495-775-05-30  
E-Mail info@sick.ru

**Schweiz**

Phone +41 41 619 29 39  
E-Mail contact@sick.ch

**Singapore**

Phone +65 6744 3732  
E-Mail sales.gsg@sick.com

**Slovenija**

Phone +386 (0)1-47 69 990  
E-Mail office@sick.si

**South Africa**

Phone +27 11 472 3733  
E-Mail info@sickautomation.co.za

**South Korea**

Phone +82 2 786 6321/4  
E-Mail info@sickkorea.net

**Suomi**

Phone +358-9-25 15 800  
E-Mail sick@sick.fi

**Sverige**

Phone +46 10 110 10 00  
E-Mail info@sick.se

**Taiwan**

Phone +886 2 2375-6288  
E-Mail sales@sick.com.tw

**Türkiye**

Phone +90 (216) 528 50 00  
E-Mail info@sick.com.tr

**United Arab Emirates**

Phone +971 (0) 4 88 65 878  
E-Mail info@sick.ae

**USA/México**

Phone +1(952) 941-6780  
1 (800) 325-7425 – tollfree  
E-Mail info@sickusa.com

More representatives and agencies  
at [www.sick.com](http://www.sick.com)