



Linear measurement sensors OLM100

OLM100-1005



Model Name > [OLM100-1005](#)
Part No. > [1046580](#)

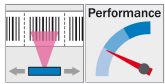


At a glance

- Highly accurate non-contact bar code positioning system
- Travel speed of up to 4 m/s can be achieved
- Wear and maintenance-free thanks to camera technology
- Adjustable resolution as low as 0.1 mm
- Precise positioning up to 10,000 m
- Compact, extremely rugged magnesium housing
- Wide range of interfaces: SSI, RS-422, RS-485, and CANopen
- Large temperature range from -30°C to +60°C

Your benefits

- High travel speed linked to precise positioning increases system efficiency and improves throughput
- Camera-based system with no moving parts increases the sensor's service life, thus reducing lifecycle costs considerably
- Minimal housing dimensions combined with the latest industrial interfaces ensure integration into almost any system design, even where space is limited
- Serial interfaces (RS-422, RS-485, SSI, and CANopen) offer highest flexibility and easiest system integration, hence saving costs for interface converters and protocol adaption
- The large temperature range from -30°C to +60°C offers reliable use in many applications



Performance

Resolution:	0.1 mm, 1 mm
Repeatability ¹⁾ :	1 mm
Light source:	LED, red
Measurement range ²⁾ :	0 m ... 10,000 m
Bar code width:	30 mm
Sensing distance:	100 mm, ± 20 mm
Max. movement speed:	4 m/s
Output time:	5 ms

¹⁾ Statistical error 1 σ ²⁾ Dependant on the set resolution and transfer protocol

Interfaces

Data interface: RS-485

Mechanics/electronics

Supply voltage V_s ¹⁾: DC 10 V ... 30 V
Ripple ²⁾: ≤ 5 Vpp
Power consumption: < 3 W
Initialization time: < 3 s
Housing material: Magnesium
zinc
Weight: Ca. 168 g

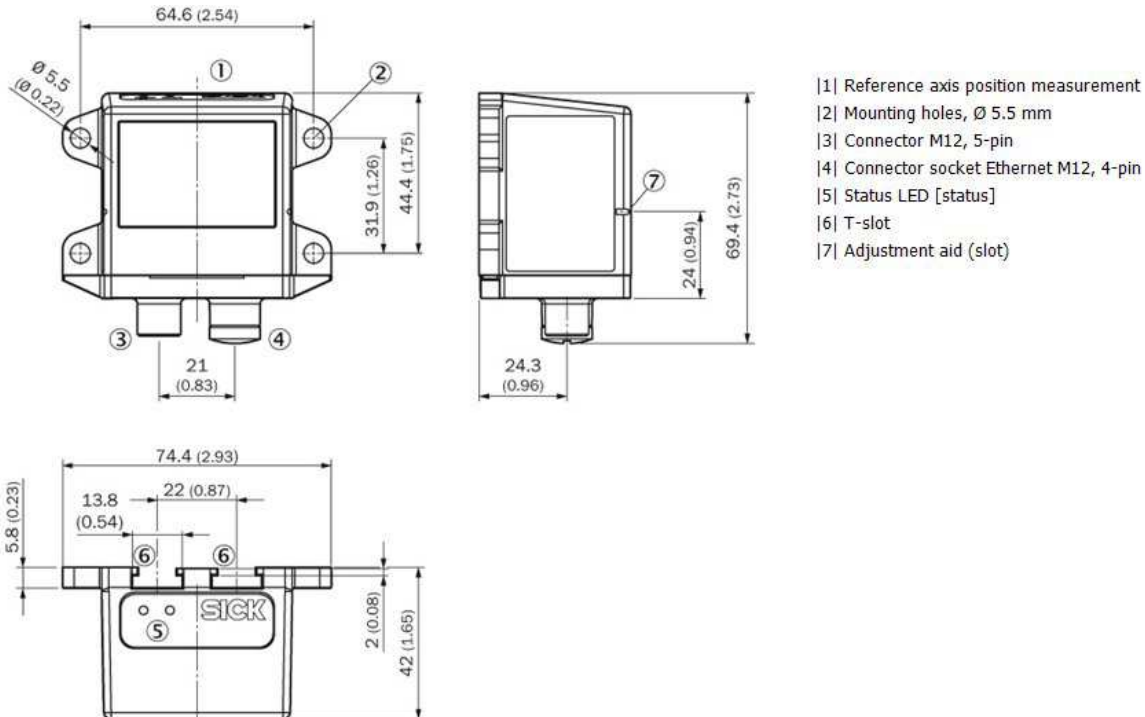
¹⁾ Limit values, reverse-polarity protected ²⁾ May not exceed or fall below U_v tolerances

Ambient data

Enclosure rating: IP 65 (EN 60 529)
Protection class: III
Ambient temperature ¹⁾, ²⁾: Operation: $-30 \dots +60$ °C, Storage: $-40 \dots +75$ °C
Vibration resistance: DIN/EN 60068-2-6, DIN/EN 60068-2-64
Shock resistance: DIN/EN 60068-2-27
Electromagnetic compatibility (EMC): EN 61000-6-2/EN 61000-6-4
Typ. ambient light safety: $\leq 30,000$ lx ³⁾

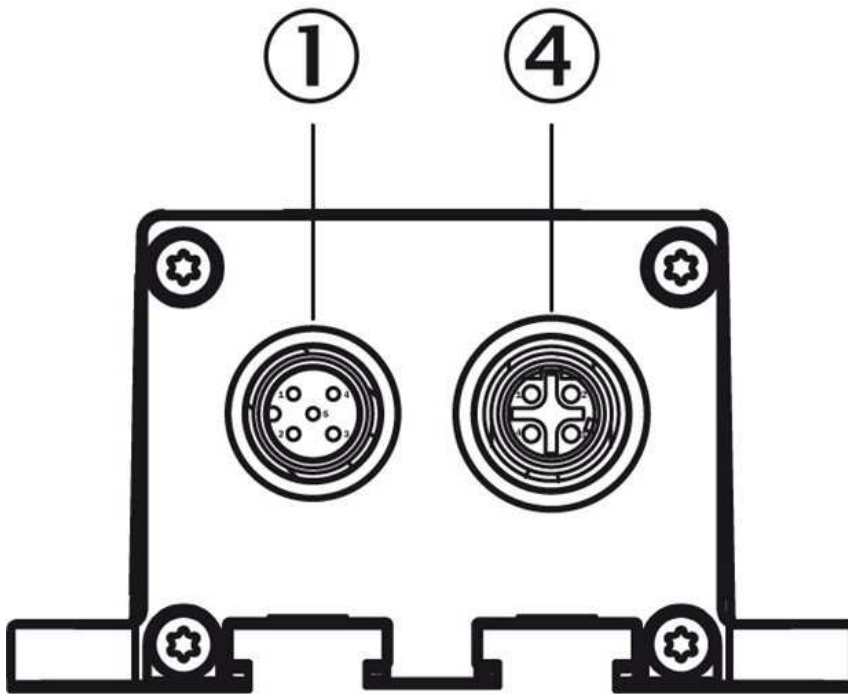
¹⁾ Temperatures < -20 °C with 5 min warm up time ²⁾ Max. 95 % humidity, non-condensing ³⁾ Typ. value at $+25$ °C ambient temperature

Dimensional drawing

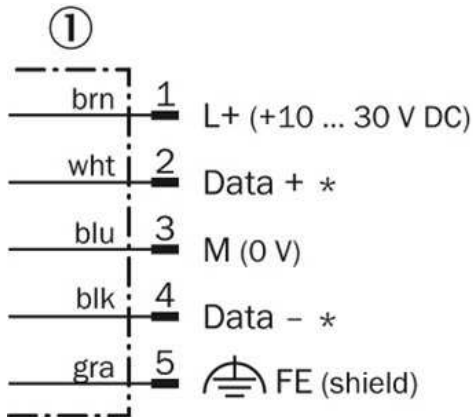


Connection type

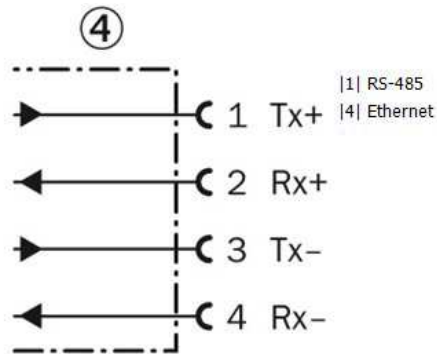
|1| RS-485
|4| Ethernet



Connection diagram



M12 (A-coded)



M12 (D-coded)

* Termination resistors
integrated in sensor

Australia

Phone +61 3 9457 0600
1800 33 48 02 – tollfree
E-Mail sales@sick.com.au

Belgium/Luxembourg

Phone +32 (0)2 466 55 66
E-Mail info@sick.be

Brasil

Phone +55 11 3215-4900
E-Mail marketing@sick.com.br

Canada

Phone +1 905 771 14 44
E-Mail information@sick.com

Česká republika

Phone +420 2 57 91 18 50
E-Mail sick@sick.cz

China

Phone +86 4000 121 000
E-Mail info.china@sick.net.cn
Phone +852-2153 6300
E-Mail ghk@sick.com.hk

Danmark

Phone +45 45 82 64 00
E-Mail sick@sick.dk

Deutschland

Phone +49 211 5301-301
E-Mail info@sick.de

España

Phone +34 93 480 31 00
E-Mail info@sick.es

France

Phone +33 1 64 62 35 00
E-Mail info@sick.fr

Great Britain

Phone +44 (0)1727 831121
E-Mail info@sick.co.uk

India

Phone +91-22-4033 8333
E-Mail info@sick-india.com

Israel

Phone +972-4-6881000
E-Mail info@sick-sensors.com

Italia

Phone +39 02 27 43 41
E-Mail info@sick.it

Japan

Phone +81 (0)3 5309 2112
E-Mail support@sick.jp

Magyarország

Phone +36 1 371 2680
E-Mail office@sick.hu

Nederland

Phone +31 (0)30 229 25 44
E-Mail info@sick.nl

Norge

Phone +47 67 81 50 00
E-Mail sick@sick.no

Österreich

Phone +43 (0)22 36 62 28 8-0
E-Mail office@sick.at

Polska

Phone +48 22 837 40 50
E-Mail info@sick.pl

România

Phone +40 356 171 120
E-Mail office@sick.ro

Russia

Phone +7-495-775-05-30
E-Mail info@sick.ru

Schweiz

Phone +41 41 619 29 39
E-Mail contact@sick.ch

Singapore

Phone +65 6744 3732
E-Mail sales.gsg@sick.com

Slovenija

Phone +386 (0)1-47 69 990
E-Mail office@sick.si

South Africa

Phone +27 11 472 3733
E-Mail info@sickautomation.co.za

South Korea

Phone +82 2 786 6321/4
E-Mail info@sickkorea.net

Suomi

Phone +358-9-25 15 800
E-Mail sick@sick.fi

Sverige

Phone +46 10 110 10 00
E-Mail info@sick.se

Taiwan

Phone +886 2 2375-6288
E-Mail sales@sick.com.tw

Türkiye

Phone +90 (216) 528 50 00
E-Mail info@sick.com.tr

United Arab Emirates

Phone +971 (0) 4 88 65 878
E-Mail info@sick.ae

USA/México

Phone +1(952) 941-6780
1 (800) 325-7425 – tollfree
E-Mail info@sickusa.com

More representatives and agencies
at www.sick.com