



Mid range distance sensors
Dx50, DT50

DT50-P1123



Model Name > [DT50-P1123](#)
Part No. > [1047118](#)



At a glance

- HDDM™ technology provides the best reliability, safety to ambient light and price/performance ratio
- Reliable measurement and detection up to 10 m
- Wide choice of models: 4 mA ... 20 mA or 0 V .. 10 V; PNP or NPN and laser class 1 or 2
- High switching repeatability (2.5 mm)
- Display with intuitive operating concept
- Tough die-cast zinc metal housing
- Wide operating temperature range from -30 °C to +65 °C

Your benefits

- Wide measurement range allows easy and fast integration in any production environment
- Intuitive setup via display or remote teach reduces installation time and costs
- Widest temperature range allows for outdoor use without additional cooling or heating accessories
- Immune to any type of ambient light - allows for use in optically challenging environments
- Increased process stability is achieved thanks to the small black/white shift
- Metal housing withstands harsh environments, saving replacement costs
- Low investment costs and high performance guarantee quick return on investment
- Dx50 family is based on a common platform, which offers multiple performance levels, making it easy to accommodate future changes



Performance

Measurement range:	200 mm ... 10,000 mm, 90 % remission 200 mm ... 2,500 mm, 6 % remission 200 mm ... 5,000 mm, 18 % remission
Resolution:	1 mm
Repeatability ^{1), 2), 3)} :	5 mm/2.5 mm
Accuracy ⁴⁾ :	± 10 mm
Response time ^{5), 6)} :	20 ms/30 ms
Light source:	Laser, red
Typ. light spot size (distance):	15 mm x 15 mm (10 m)

Additional function:	Switch-off display Set moving average: fast/slow Set hysteresis Switching mode: distance to object (DtO) Lock user interface Reset to factory default Teach-in, scaling and inversion of analog output Teach-in, scaling and inversion of switching output Multifunctional input: laser off/external teach/deactivated
Laser class:	1 (EN 60825-1) ⁷⁾
Laser service life (MTTF at 25 °C):	100,000 h
Output time ⁸⁾ :	≥ 4 ms

1) Equivalent to 1 σ 2) 6 % ... 90 % remission 3) 5) Dependent on the set average: fast/slow 4) 90 % remission 6) Lateral entry of object into measuring range 7)

Wavelength: 658 nm; max. output: 120 mW; pulse duration: 2.5 ns; pulse repetition rate: 1/400 8) Continuous change of distance in measuring range

Interfaces

Analog output:	1 x 4 mA ... 20 mA ($\leq 300 \Omega$)
Resolution analog output:	16 bit
Output type ^{1), 2)} :	1 x PNP (100 mA)
Hysteresis:	10 mm ... 1,000 mm
Multifunctional input (MF) ^{3), 4)} :	1 x

1) Output Q short-circuit protected 2) PNP: HIGH = V_S - (< 2.5 V)/LOW = 0 V 3) Response time ≤ 15 ms 4) PNP: HIGH = V_S / LOW = ≤ 2.5 V

Mechanics/electronics

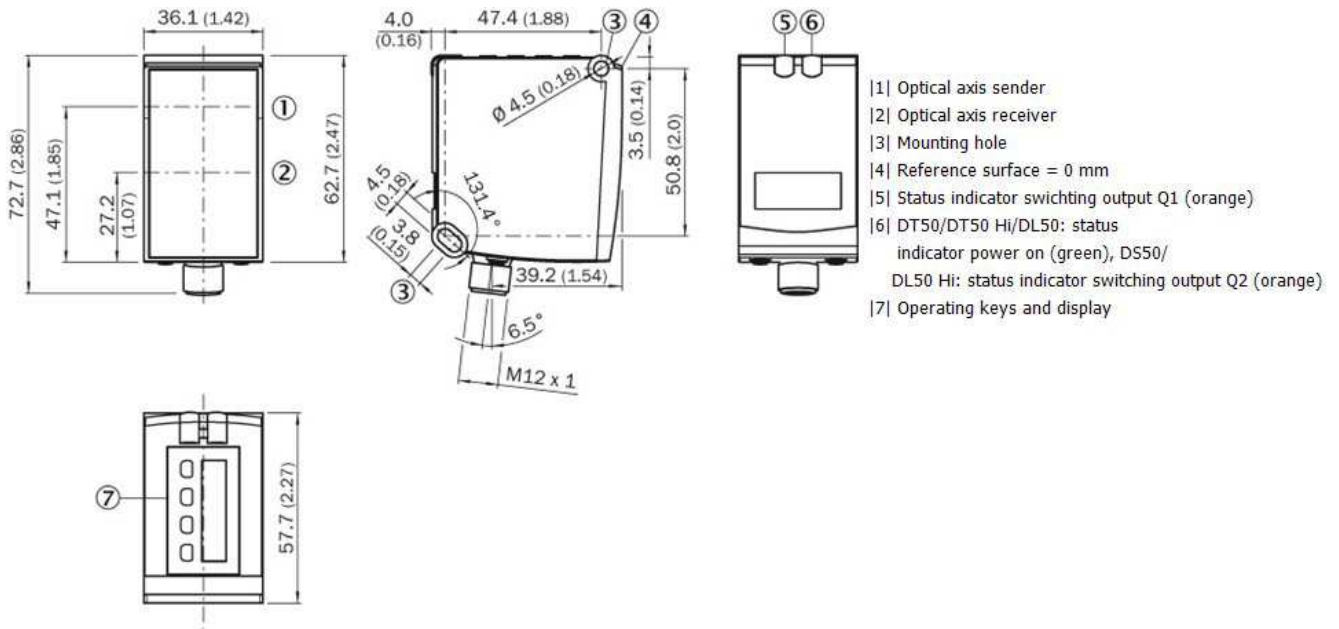
Supply voltage V_S ^{1), 2)} :	DC 10 V ... 30 V
Ripple ³⁾ :	≤ 5 Vpp
Power consumption ⁴⁾ :	≤ 2.1 W
Initialization time:	≤ 250 ms
Warm-up time:	≤ 15 min
Housing material:	Die-cast zinc housing (ZNAL4CU1) acrylic glass (PMMA)
Connection type:	Male connector, M12, 5-pin
Indication:	2 x LED, LC display
Weight:	200 g

1) Limit values, reverse-polarity protected, operation in short-circuit protected network: max. 8 A 2) For DT50-xxxx4: $V_S > 15$ V 3) May not fall short of or exceed V_S tolerances 4) Without load

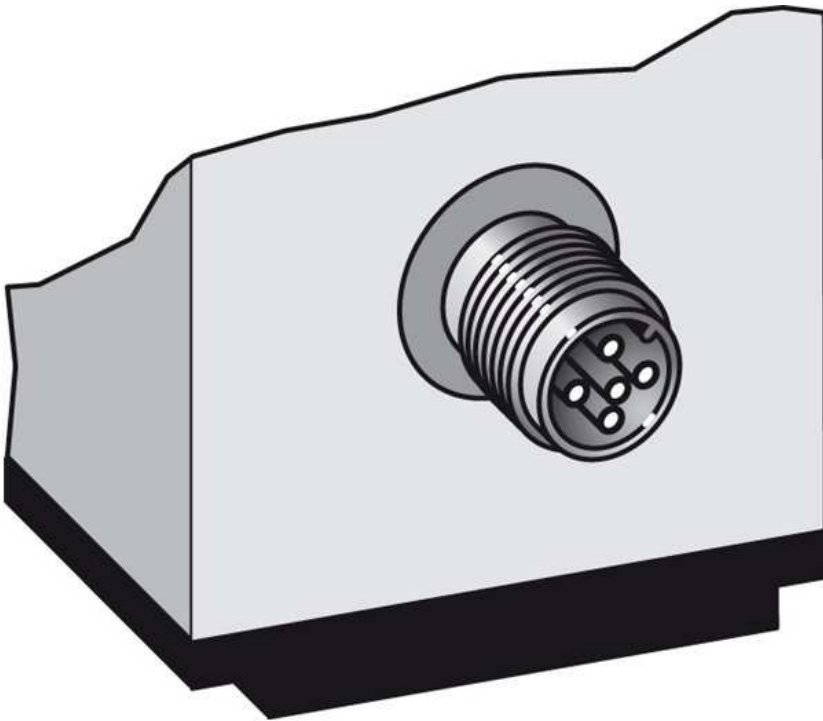
Ambient data

Enclosure rating:	IP 65
Protection class:	III
Ambient temperature:	Operation: -30 ... +65 °C, Storage: -40 ... +75 °C
Max. rel. humidity (not condensing):	≤ 95 %
Vibration resistance:	EN 60068-2-6/EN 60068-2-64
Shock resistance:	EN 60068-2-27
Typ. ambient light safety:	40 klx

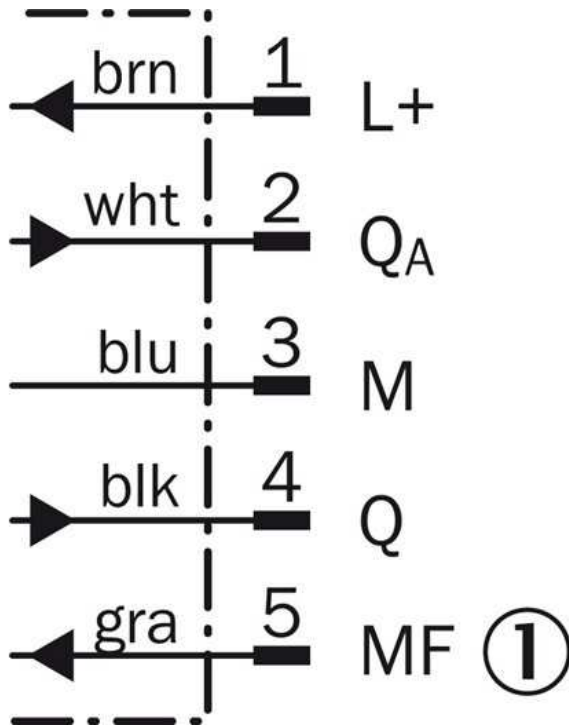
Dimensional drawing



Connection type



Connection diagram



[1] Multifunctional input (MF)

Australia

Phone +61 3 9457 0600
1800 33 48 02 – tollfree
E-Mail sales@sick.com.au

Belgium/Luxembourg

Phone +32 (0)2 466 55 66
E-Mail info@sick.be

Brasil

Phone +55 11 3215-4900
E-Mail marketing@sick.com.br

Canada

Phone +1 905 771 14 44
E-Mail information@sick.com

Česká republika

Phone +420 2 57 91 18 50
E-Mail sick@sick.cz

China

Phone +86 4000 121 000
E-Mail info.china@sick.net.cn
Phone +852-2153 6300
E-Mail ghk@sick.com.hk

Danmark

Phone +45 45 82 64 00
E-Mail sick@sick.dk

Deutschland

Phone +49 211 5301-301
E-Mail info@sick.de

España

Phone +34 93 480 31 00
E-Mail info@sick.es

France

Phone +33 1 64 62 35 00
E-Mail info@sick.fr

Great Britain

Phone +44 (0)1727 831121
E-Mail info@sick.co.uk

India

Phone +91-22-4033 8333
E-Mail info@sick-india.com

Israel

Phone +972-4-6881000
E-Mail info@sick-sensors.com

Italia

Phone +39 02 27 43 41
E-Mail info@sick.it

Japan

Phone +81 (0)3 5309 2112
E-Mail support@sick.jp

Magyarország

Phone +36 1 371 2680
E-Mail office@sick.hu

Nederland

Phone +31 (0)30 229 25 44
E-Mail info@sick.nl

Norge

Phone +47 67 81 50 00
E-Mail sick@sick.no

Österreich

Phone +43 (0)22 36 62 28 8-0
E-Mail office@sick.at

Polska

Phone +48 22 837 40 50
E-Mail info@sick.pl

România

Phone +40 356 171 120
E-Mail office@sick.ro

Russia

Phone +7-495-775-05-30
E-Mail info@sick.ru

Schweiz

Phone +41 41 619 29 39
E-Mail contact@sick.ch

Singapore

Phone +65 6744 3732
E-Mail sales.gsg@sick.com

Slovenija

Phone +386 (0)1-47 69 990
E-Mail office@sick.si

South Africa

Phone +27 11 472 3733
E-Mail info@sickautomation.co.za

South Korea

Phone +82 2 786 6321/4
E-Mail info@sickkorea.net

Suomi

Phone +358-9-25 15 800
E-Mail sick@sick.fi

Sverige

Phone +46 10 110 10 00
E-Mail info@sick.se

Taiwan

Phone +886 2 2375-6288
E-Mail sales@sick.com.tw

Türkiye

Phone +90 (216) 528 50 00
E-Mail info@sick.com.tr

United Arab Emirates

Phone +971 (0) 4 88 65 878
E-Mail info@sick.ae

USA/México

Phone +1(952) 941-6780
1 (800) 325-7425 – tollfree
E-Mail info@sickusa.com

More representatives and agencies
at www.sick.com