



Photoelectric sensors
W4S-3 Inox, Photoelectric retro-reflective sensor,
autocollimation

WL4S-3P1330V



Model Name > [WL4S-3P1330V](#)
Part No. > [1048044](#)



Illustration may differ

At a glance

- WashDown rated for fluid tightness (IP 66, IP 67, IP 68 and IP 69K) and Ecolab certified
- Tough stainless steel housing (316L/1.4404)
- Resistant to a variety of common cleaning and disinfection agents
- Modern electrical connection available - M12 connector with pin casting
- Teach-in via stainless steel metal membrane teach button
- PinPoint LED technology provides a highly visible laser-like light spot

Your benefits

- Long service life in harsh conditions ensures less downtime and fewer replacement costs
- Easy adjustment via a stainless steel metal membrane teach-in pushbutton
- Quick and easy alignment due to highly visible PinPoint emitter LED
- Complete solution - chemically resistant reflectors available as an accessory



Features

| | |
|----------------------------------|--|
| Sensor/detection principle: | Photoelectric retro-reflective sensor, autocollimation |
| Dimensions (W x H x D): | 15.25 mm x 48.6 mm x 22.2 mm |
| Housing design: | Washdown |
| Housing design (light emission): | Rectangular |
| Sensing range max.: | 0 m ... 4 m ¹⁾ |
| Sensing range: | 0 m ... 2.5 m ²⁾ |
| Type of light: | Visible red light |
| Light source: | PinPoint LED ³⁾ |
| Wave length: | 650 nm |
| Light spot size (distance): | Ø 45 mm (1.5 m) |

^{1) 2)} PL80A ³⁾ Average service life: 100,000 h at T_U = +25 °C

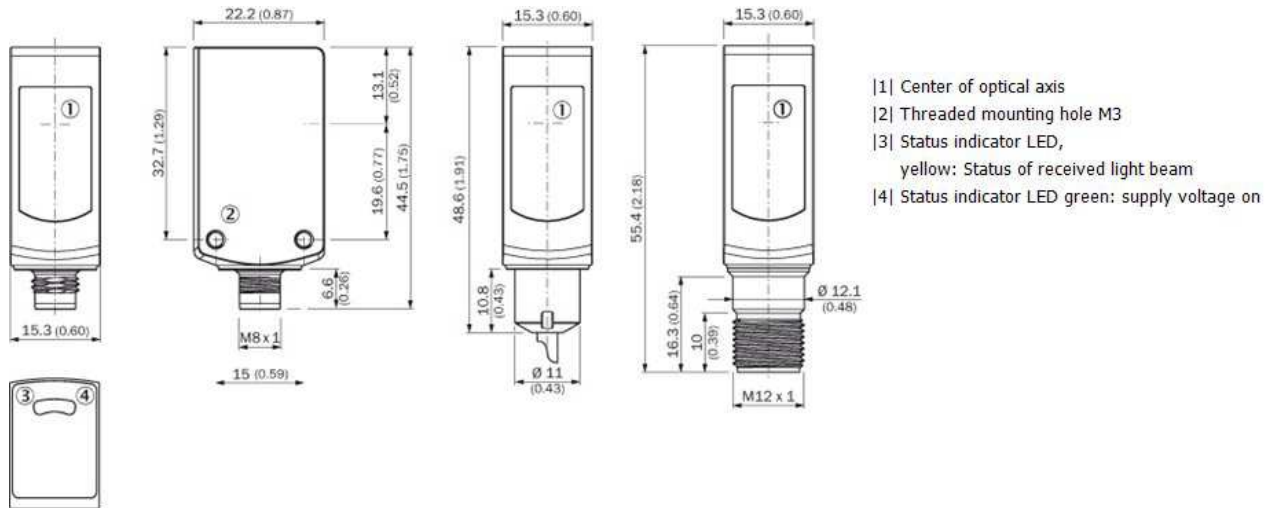
Mechanics/electronics

| | |
|------------------------------------|-----------------------------------|
| Supply voltage: | 10 V DC ... 30 V DC ¹⁾ |
| Ripple: | < 5 Vpp ²⁾ |
| Power consumption: | ≤ 30 mA ³⁾ |
| Output type: | PNP |
| Switching mode: | Light switching |
| Output current I _{max.} : | ≤ 100 mA |

| | |
|--------------------------------|---|
| Response time: | < 0.5 ms ⁴⁾ |
| Switching frequency: | 1,000 Hz ⁵⁾ |
| Connection type: | Cable, 3-wire, 2 m ⁶⁾ |
| Cable material: | PVC |
| Conductor cross-section: | 0.14 mm ² |
| Circuit protection::: | A B 7) 8) 9) C |
| Protection class: | III |
| Weight: | 80 g |
| Polarisation filter: | ✓ |
| Special device: | - |
| Enclosure rating: | IP 66 IP 67 IP 68 IP 69K |
| Ambient operating temperature: | -30 °C ... +60 °C, -30 °C ... +70 °C ¹⁰⁾ |
| Ambient storage temperature: | -30 °C ... +75 °C |
| UL File No.: | NRKH.E181493 & NRKH7.E181493 |
| Housing material: | Stainless steel, Stainless steel 316L |

1) Limit values, reverse-polarity protected, operation in short-circuit protected network: max. 8 A ²⁾ May not exceed or fall below U_v tolerances ³⁾ Without load ⁴⁾
Signal transit time with resistive load ⁵⁾ With light/dark ratio 1:1 ⁶⁾ Do not bend below 0 °C ⁷⁾ A = V_S connections reverse-polarity protected ⁸⁾ B = inputs and output
reverse-polarity protected ⁹⁾ C = interference suppression ¹⁰⁾ At UV ≤ 24 V and IA < 30 mA

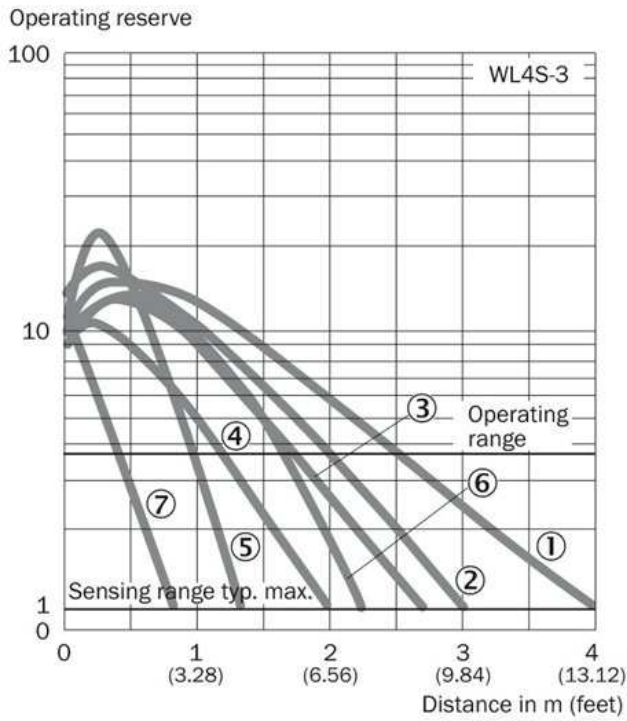
Dimensional drawing



Connection diagram

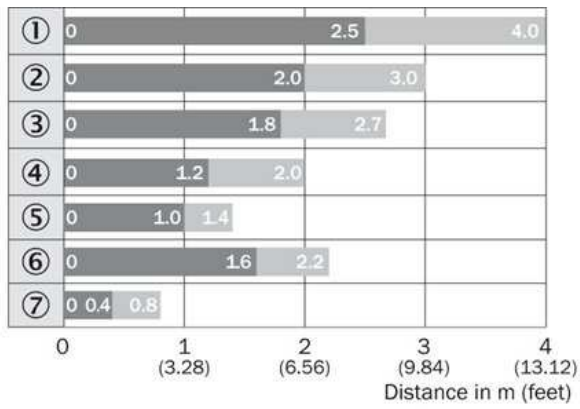


Characteristic curve



- |1| PL80A
- |2| P250F
- |3| PL40A
- |4| PL20A
- |5| PL10F
- |6| P250 CHEM
- |7| REF-IRF-56

Sensing range diagram

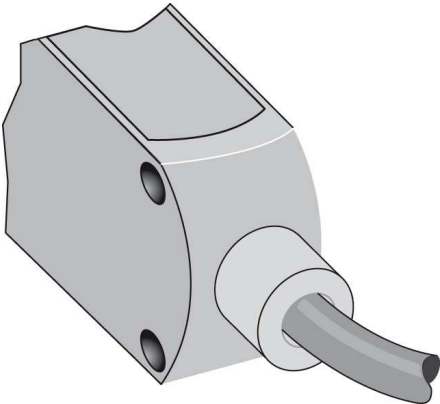


■ Operating range ■ Sensing range typ. max.

- ① Reflector type PL80A
- ② Reflector type PL250F
- ③ Reflector type PL40A
- ④ Reflector type PL20A
- ⑤ Reflector type PL10F
- ⑥ Reflector type P250 CHEM
- ⑦ Reflexion tape REF-IRF-56

- |1| PL80A
- |2| P250F
- |3| PL40A
- |4| PL20A
- |5| PL10F
- |6| P250 CHEM
- |7| REF-IRF-56

Connection type



Australia

Phone +61 3 9457 0600
1800 33 48 02 – tollfree
E-Mail sales@sick.com.au

Belgium/Luxembourg

Phone +32 (0)2 466 55 66
E-Mail info@sick.be

Brasil

Phone +55 11 3215-4900
E-Mail marketing@sick.com.br

Canada

Phone +1 905 771 14 44
E-Mail information@sick.com

Česká republika

Phone +420 2 57 91 18 50
E-Mail sick@sick.cz

China

Phone +86 4000 121 000
E-Mail info.china@sick.net.cn
Phone +852-2153 6300
E-Mail ghk@sick.com.hk

Danmark

Phone +45 45 82 64 00
E-Mail sick@sick.dk

Deutschland

Phone +49 211 5301-301
E-Mail info@sick.de

España

Phone +34 93 480 31 00
E-Mail info@sick.es

France

Phone +33 1 64 62 35 00
E-Mail info@sick.fr

Great Britain

Phone +44 (0)1727 831121
E-Mail info@sick.co.uk

India

Phone +91-22-4033 8333
E-Mail info@sick-india.com

Israel

Phone +972-4-6881000
E-Mail info@sick-sensors.com

Italia

Phone +39 02 27 43 41
E-Mail info@sick.it

Japan

Phone +81 (0)3 5309 2112
E-Mail support@sick.jp

Magyarország

Phone +36 1 371 2680
E-Mail office@sick.hu

Nederland

Phone +31 (0)30 229 25 44
E-Mail info@sick.nl

Norge

Phone +47 67 81 50 00
E-Mail sick@sick.no

Österreich

Phone +43 (0)22 36 62 28 8-0
E-Mail office@sick.at

Polska

Phone +48 22 837 40 50
E-Mail info@sick.pl

România

Phone +40 356 171 120
E-Mail office@sick.ro

Russia

Phone +7-495-775-05-30
E-Mail info@sick.ru

Schweiz

Phone +41 41 619 29 39
E-Mail contact@sick.ch

Singapore

Phone +65 6744 3732
E-Mail sales.gsg@sick.com

Slovenija

Phone +386 (0)1-47 69 990
E-Mail office@sick.si

South Africa

Phone +27 11 472 3733
E-Mail info@sickautomation.co.za

South Korea

Phone +82 2 786 6321/4
E-Mail info@sickkorea.net

Suomi

Phone +358-9-25 15 800
E-Mail sick@sick.fi

Sverige

Phone +46 10 110 10 00
E-Mail info@sick.se

Taiwan

Phone +886 2 2375-6288
E-Mail sales@sick.com.tw

Türkiye

Phone +90 (216) 528 50 00
E-Mail info@sick.com.tr

United Arab Emirates

Phone +971 (0) 4 88 65 878
E-Mail info@sick.ae

USA/México

Phone +1(952) 941-6780
1 (800) 325-7425 – tollfree
E-Mail info@sickusa.com

More representatives and agencies
at www.sick.com