



Photoelectric sensors
W4S-3 Inox Hygiene, Photoelectric retro-reflective sensor, autocollimation

WL4S-3P3232H



Model Name > [WL4S-3P3232H](#)
Part No. > [1048117](#)



Illustration may differ

At a glance

- Hygienic designed stainless steel housing and accessories (316L/1.4404)
- Hygienic mounting using M12-adapter thread or D12-adapter shaft
- IP 66, IP 67, IP 68 and IP 69K enclosure rating and Ecolab certified
- Resistant to a variety of common cleaning and disinfection agents
- Stainless steel teach-in pushbutton with a metal membrane
- PinPoint LED technology provides a highly visible laser-like light spot
- Hygienical designed and chemically resistant reflectors available as accessories

Your benefits

- Smooth hygienic housing and accessories with no grooves or crevices eliminates the potential for bacteria to grow, providing a more hygienic solution.
- Long service life in harsh conditions ensures less downtime and fewer replacement costs
- Quick and easy adjustment via a stainless steel metal membrane teach-in pushbutton
- Quick and easy alignment due to highly visible PinPoint emitter LED



Features

Sensor/detection principle:	Photoelectric retro-reflective sensor, autocollimation
Dimensions (W x H x D):	15.25 mm x 49.2 mm x 22.15 mm
Housing design:	Hygiene
Housing design (light emission):	Rectangular
Sensing range max.:	0 m ... 5 m ¹⁾
Sensing range:	0 m ... 3 m ²⁾
Type of light:	Visible red light
Light source:	PinPoint LED ³⁾
Wave length:	650 nm
Teach-in:	Single teach-in button
Adjustment:	Teach-in
Light spot size (distance):	Ø 45 mm (1.5 m)

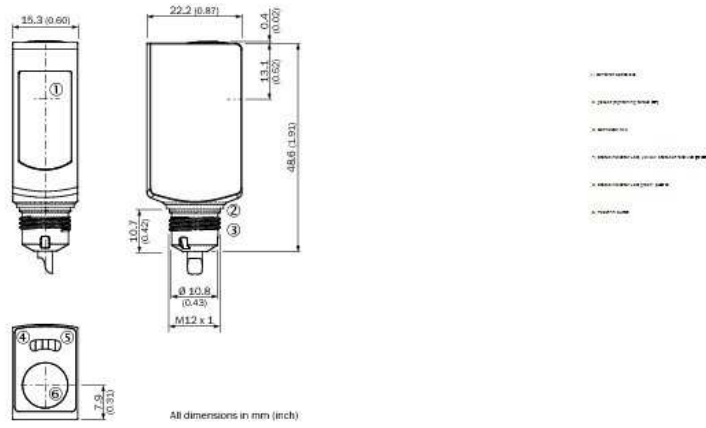
1) 2) PL80A 3) Average service life of 100,000 h at T_A = +25 °C

Mechanics/electronics

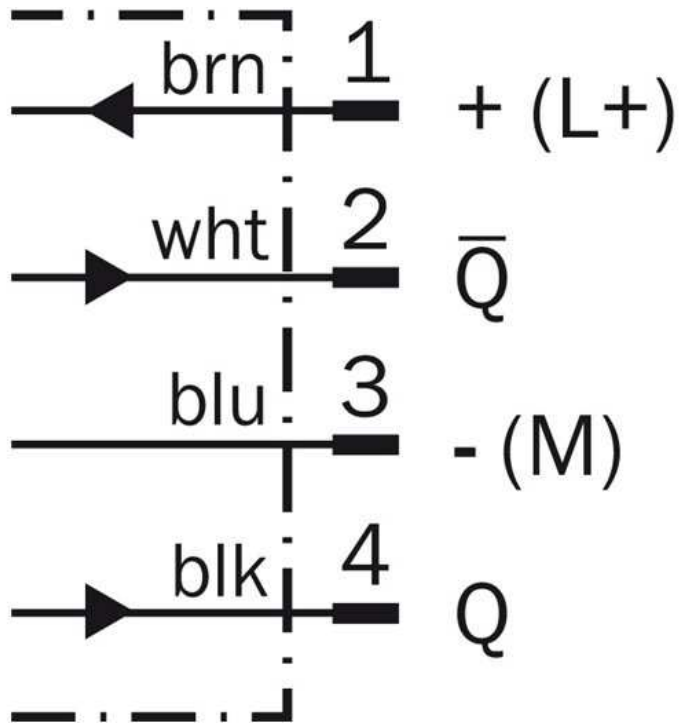
Supply voltage:	10 V DC ... 30 V DC ¹⁾
Power consumption:	≤ 30 mA ²⁾
Output type:	PNP
Output function:	Complementary
Switching mode:	Light/dark switching
Output current I _{max.} :	≤ 100 mA
Response time:	< 0.5 ms ³⁾
Switching frequency:	1,000 Hz ⁴⁾
Connection type:	Cable with connector M8, 4-pin, 150 mm ⁵⁾
Cable material:	PVC
Circuit protection:::	A B C ^{6) 7) 8)}
Protection class:	III
Weight:	50 g
Polarisation filter:	✓
Housing material:	Stainless steel, Stainless steel 316L
Enclosure rating:	IP 66 IP 67 IP 68 IP 69K
Ambient operating temperature:	-30 °C ... 60 °C, -30 °C ... 70 °C ⁹⁾
Ambient storage temperature:	-30 °C ... 75 °C
UL File No.:	FDA, UL No. NRKH.E181493 & cUL No. NRKH7.E181493

¹⁾ Limit values, reverse-polarity protected, operation in short-circuit protected network: max. 8 A ²⁾ Without load ³⁾ Signal transit time with resistive load ⁴⁾ With light/dark ratio 1:1 ⁵⁾ Do not bend below 0 °C ⁶⁾ A = V_S connections reverse-polarity protected ⁷⁾ B = inputs and output reverse-polarity protected ⁸⁾ C = interference suppression ⁹⁾ At UV ≤ 24 V and IA < 30 mA

Dimensional drawing

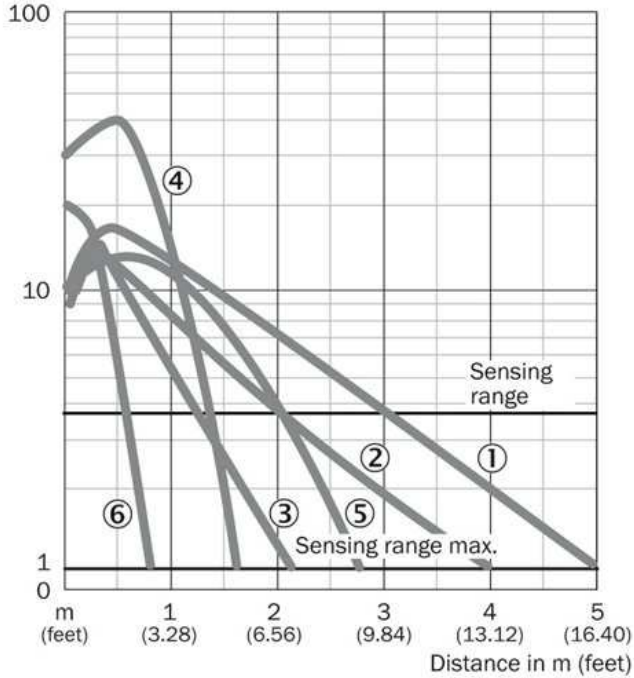


Connection diagram



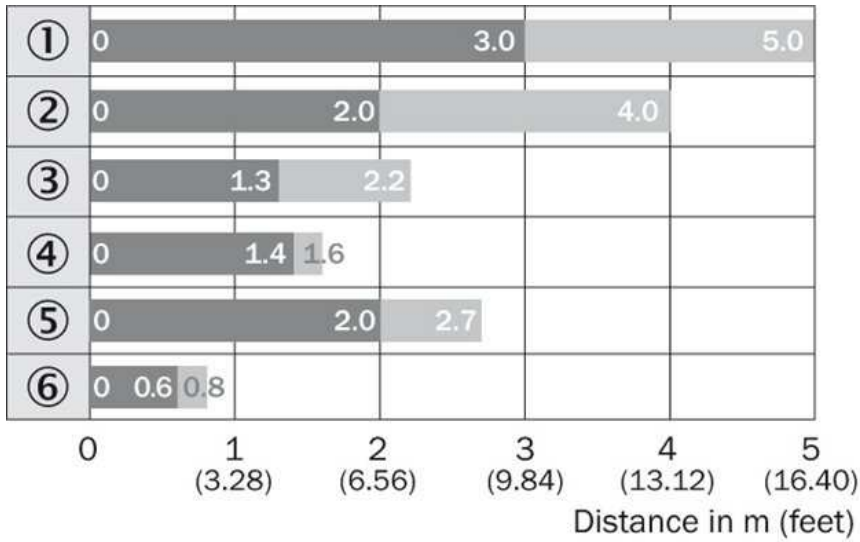
Characteristic curve

Operating reserve



- |1| PL80A
- |2| PL40A
- |3| PL20A
- |4| PL10F
- |5| P250 CHEM
- |6| REF-IRF-56

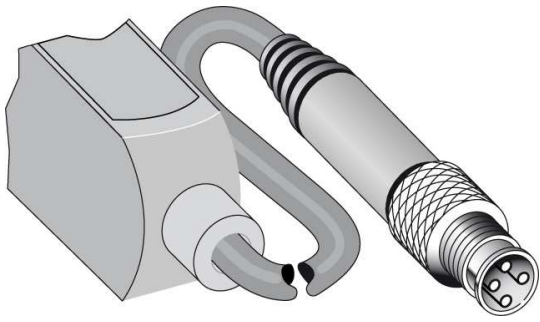
Sensing range diagram



- |1| PL80A
- |2| PL40A
- |3| PL20A
- |4| PL10F
- |5| P250 CHEM
- |6| REF-IRF-56

■ Sensing range ■ Sensing range max.

Connection type



Australia

Phone +61 3 9457 0600
1800 33 48 02 – tollfree
E-Mail sales@sick.com.au

Belgium/Luxembourg

Phone +32 (0)2 466 55 66
E-Mail info@sick.be

Brasil

Phone +55 11 3215-4900
E-Mail marketing@sick.com.br

Canada

Phone +1 905 771 14 44
E-Mail information@sick.com

Česká republika

Phone +420 2 57 91 18 50
E-Mail sick@sick.cz

China

Phone +86 4000 121 000
E-Mail info.china@sick.net.cn
Phone +852-2153 6300
E-Mail ghk@sick.com.hk

Danmark

Phone +45 45 82 64 00
E-Mail sick@sick.dk

Deutschland

Phone +49 211 5301-301
E-Mail info@sick.de

España

Phone +34 93 480 31 00
E-Mail info@sick.es

France

Phone +33 1 64 62 35 00
E-Mail info@sick.fr

Great Britain

Phone +44 (0)1727 831121
E-Mail info@sick.co.uk

India

Phone +91-22-4033 8333
E-Mail info@sick-india.com

Israel

Phone +972-4-6881000
E-Mail info@sick-sensors.com

Italia

Phone +39 02 27 43 41
E-Mail info@sick.it

Japan

Phone +81 (0)3 5309 2112
E-Mail support@sick.jp

Magyarország

Phone +36 1 371 2680
E-Mail office@sick.hu

Nederland

Phone +31 (0)30 229 25 44
E-Mail info@sick.nl

Norge

Phone +47 67 81 50 00
E-Mail sick@sick.no

Österreich

Phone +43 (0)22 36 62 28 8-0
E-Mail office@sick.at

Polska

Phone +48 22 837 40 50
E-Mail info@sick.pl

România

Phone +40 356 171 120
E-Mail office@sick.ro

Russia

Phone +7-495-775-05-30
E-Mail info@sick.ru

Schweiz

Phone +41 41 619 29 39
E-Mail contact@sick.ch

Singapore

Phone +65 6744 3732
E-Mail sales.gsg@sick.com

Slovenija

Phone +386 (0)1-47 69 990
E-Mail office@sick.si

South Africa

Phone +27 11 472 3733
E-Mail info@sickautomation.co.za

South Korea

Phone +82 2 786 6321/4
E-Mail info@sickkorea.net

Suomi

Phone +358-9-25 15 800
E-Mail sick@sick.fi

Sverige

Phone +46 10 110 10 00
E-Mail info@sick.se

Taiwan

Phone +886 2 2375-6288
E-Mail sales@sick.com.tw

Türkiye

Phone +90 (216) 528 50 00
E-Mail info@sick.com.tr

United Arab Emirates

Phone +971 (0) 4 88 65 878
E-Mail info@sick.ae

USA/México

Phone +1(952) 941-6780
1 (800) 325-7425 – tollfree
E-Mail info@sickusa.com

More representatives and agencies
at www.sick.com