



Photoelectric sensors
W11-2, Photoelectric retro-reflective sensor,
Standard optics

WL11-2F2430S04



Model Name > [WL11-2F2430S04](#)
Part No. > [1048753](#)



Illustration may differ

At a glance

- Retro-reflective with standard lens principle
- Rugged housing for industrial use
- PinPoint LED technology with highly visible light spot
- Space-saving plastic housing in chemically, thermally or mechanically resistant designs
- Dovetail mounting - standard mounting holes and oblong holes
- Highly visible 360° status LEDs
- Optional sensing range adjustment via teach-in pushbutton
- Operating distance up to 10 m

Your benefits

- Custom ASIC provides reliable object detection
- High immunity to optical interference reduces false readings and downtime
- PinPoint LED technology provides a bright, small and precise light spot that enables quick and easy sensor alignment
- Precise switching characteristics ensure high performance even in changing application conditions
- Rugged housing design withstands harsh environments, reducing downtime and maintenance effort
- Highly visible 360° status LEDs provide quick and easy setup without additional personnel or costly training
- Easy installation using SICK accessories



Features

Sensor/detection principle:	Photoelectric retro-reflective sensor, Standard optics
Dimensions (W x H x D):	15.6 mm x 48.5 mm x 42 mm
Housing design (light emission):	Rectangular
Sensing range max.:	0.05 m ... 10 m ¹⁾
Sensing range:	0.15 m ... 8 m ²⁾
Type of light:	Visible red light
Light source:	LED ³⁾
Wave length:	650 nm
Angle of dispersion:	Ca. 2.2 °
Light spot size (distance):	Ø 50 mm (3 m)

1) 2) PL80A ³⁾ Average service life of 100,000 h at T_A = +25 °C

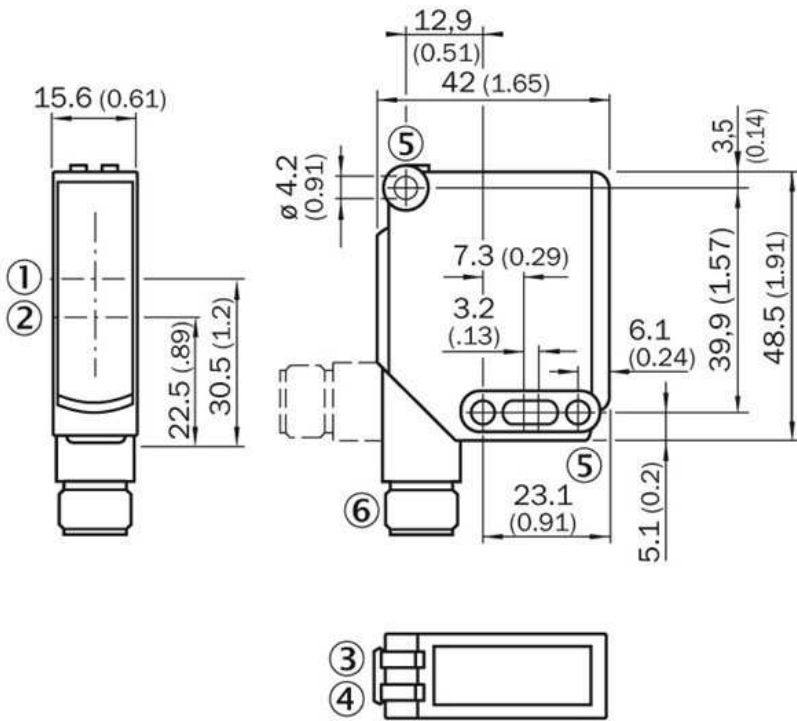
Mechanics/electronics

Supply voltage:	10 V DC ... 30 V DC ¹⁾
Power consumption:	≤ 30 mA ²⁾
Output type:	PNP ³⁾
Switching mode:	Dark switching ⁴⁾
Output current I _{max.} :	100 mA ⁵⁾
Response time:	≤ 2.5 ms ⁶⁾
Switching frequency:	± 200 Hz ⁶⁾
Connection type:	Connector M12, 4-pin
Circuit protection:::	A, C, D ^{7) 8) 9)}
Protection class:	II ¹⁰⁾
Weight:	120 g
Polarisation filter:	✓
Special device:	✓
Housing material:	ABS, Plastic
Optics material:	PMMA
Enclosure rating:	IP 66 IP 67 IP 69K
Ambient operating temperature:	-30 °C ... 60 °C
Ambient storage temperature:	-40 °C ... 75 °C

¹⁾ Limit values, operation in short-circuit protected network max. 8 A ²⁾ Without load ^{3) 4)} Pin 2/Pin 4 swapped over ⁵⁾ Signal transit time with resistive load ⁶⁾ With light/dark ratio 1:1 ⁷⁾ A = V_S connections reverse-polarity protected ⁸⁾ C = interference suppression ⁹⁾ D = outputs overcurrent and short-circuit protected ¹⁰⁾

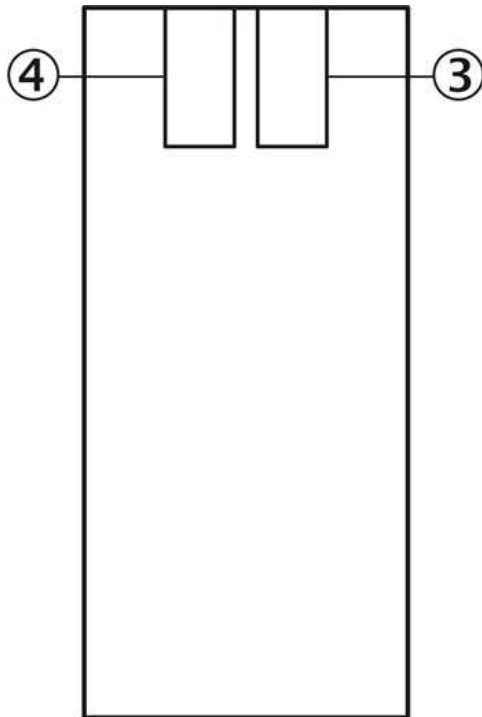
Reference voltage DC 50 V

Dimensional drawing



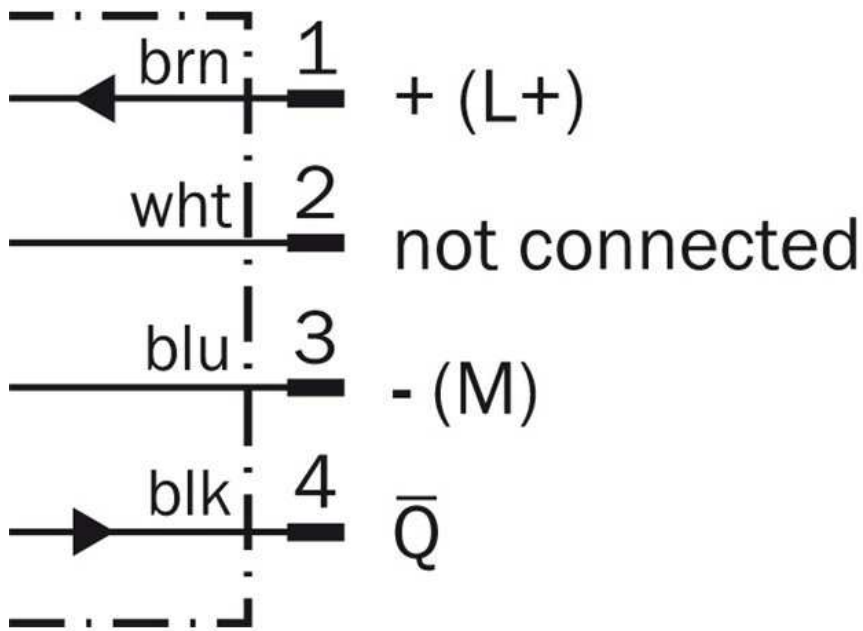
- |1| Optical axis, sender
- |2| Optical axis, receiver
- |3| Status indicator LED green: power on
- |4| Status indicator LED,
yellow: Status of received light beam
- |5| Mounting hole $\varnothing 4.2$ mm
- |6| M12 connector, 4-pin or cable

Adjustments possible

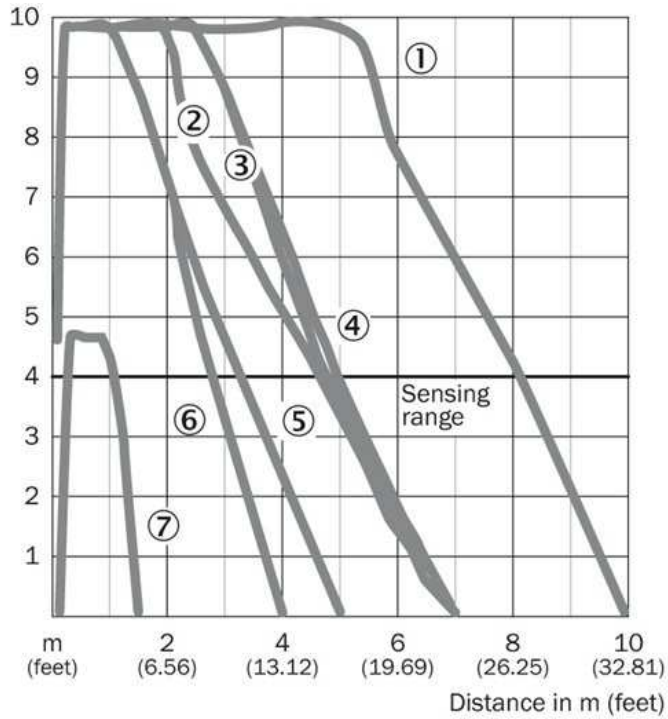


- |3| Status indicator LED green: power on
- |4| Status indicator LED,
yellow: Status of received light beam

Connection diagram

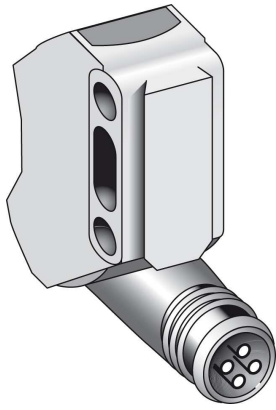


Characteristic curve



- |1| PL80A
- |2| C110A
- |3| PL50A
- |4| PL40A
- |5| PL30A
- |6| PL20A
- |7| Reflective tape Diamond Grade

Connection type



Australia

Phone +61 3 9457 0600
1800 33 48 02 – tollfree
E-Mail sales@sick.com.au

Belgium/Luxembourg

Phone +32 (0)2 466 55 66
E-Mail info@sick.be

Brasil

Phone +55 11 3215-4900
E-Mail marketing@sick.com.br

Canada

Phone +1 905 771 14 44
E-Mail information@sick.com

Česká republika

Phone +420 2 57 91 18 50
E-Mail sick@sick.cz

China

Phone +86 4000 121 000
E-Mail info.china@sick.net.cn
Phone +852-2153 6300
E-Mail ghk@sick.com.hk

Danmark

Phone +45 45 82 64 00
E-Mail sick@sick.dk

Deutschland

Phone +49 211 5301-301
E-Mail info@sick.de

España

Phone +34 93 480 31 00
E-Mail info@sick.es

France

Phone +33 1 64 62 35 00
E-Mail info@sick.fr

Great Britain

Phone +44 (0)1727 831121
E-Mail info@sick.co.uk

India

Phone +91-22-4033 8333
E-Mail info@sick-india.com

Israel

Phone +972-4-6881000
E-Mail info@sick-sensors.com

Italia

Phone +39 02 27 43 41
E-Mail info@sick.it

Japan

Phone +81 (0)3 5309 2112
E-Mail support@sick.jp

Magyarország

Phone +36 1 371 2680
E-Mail office@sick.hu

Nederland

Phone +31 (0)30 229 25 44
E-Mail info@sick.nl

Norge

Phone +47 67 81 50 00
E-Mail sick@sick.no

Österreich

Phone +43 (0)22 36 62 28 8-0
E-Mail office@sick.at

Polska

Phone +48 22 837 40 50
E-Mail info@sick.pl

România

Phone +40 356 171 120
E-Mail office@sick.ro

Russia

Phone +7-495-775-05-30
E-Mail info@sick.ru

Schweiz

Phone +41 41 619 29 39
E-Mail contact@sick.ch

Singapore

Phone +65 6744 3732
E-Mail sales.gsg@sick.com

Slovenija

Phone +386 (0)1-47 69 990
E-Mail office@sick.si

South Africa

Phone +27 11 472 3733
E-Mail info@sickautomation.co.za

South Korea

Phone +82 2 786 6321/4
E-Mail info@sickkorea.net

Suomi

Phone +358-9-25 15 800
E-Mail sick@sick.fi

Sverige

Phone +46 10 110 10 00
E-Mail info@sick.se

Taiwan

Phone +886 2 2375-6288
E-Mail sales@sick.com.tw

Türkiye

Phone +90 (216) 528 50 00
E-Mail info@sick.com.tr

United Arab Emirates

Phone +971 (0) 4 88 65 878
E-Mail info@sick.ae

USA/México

Phone +1(952) 941-6780
1 (800) 325-7425 – tollfree
E-Mail info@sickusa.com

More representatives and agencies
at www.sick.com