



safety laser scanners
S300 Expert, Laser scanner

S30B-2011GB



Model Name > **S30B-2011GB**
Part No. > **1050193**



At a glance

- Compact design
- 2 m protective field range
- 270° scan angle
- 16 switchable field sets
- Configuration memory integrated in the system plug
- EFI interface for safe SICK device communication
- Incremental encoder inputs for speed-dependent field switching
- Extended measured data output via RS-422 with landmark recognition

Your benefits

- Simple integration due to compact design
- Unbeatable cost-effectiveness - 270° scan angle allows complete application protection with only two scanners
- Easy installation, commissioning and maintenance for stationary and mobile applications
- Variety of field sets ensures safety and productivity when protecting vehicles or moving machine parts
- Quick recommissioning via configuration memory
- Easy modular expansions, simple cabling and additional functions using SICK safety controllers with EFI
- The correct protective field at any speed avoids unnecessary stops.
- Personnel protection and navigation support in one device



Applications

| | |
|---|---|
| Hazardous area protection (vertical): | ✓ |
| Access protection (vertical): | ✓ |
| Hazardous area protection (horizontal): | ✓ |

Functions

| | |
|--------------------------------------|---|
| Static protective field switching: | ✓ |
| Incremental encoder inputs: | ✓ |
| External device monitoring (EDM): | ✓ |
| Integrated configuration memory: | ✓ |
| Expanded measured data output (CMS): | ✓ |
| Measured data output: | ✓ |

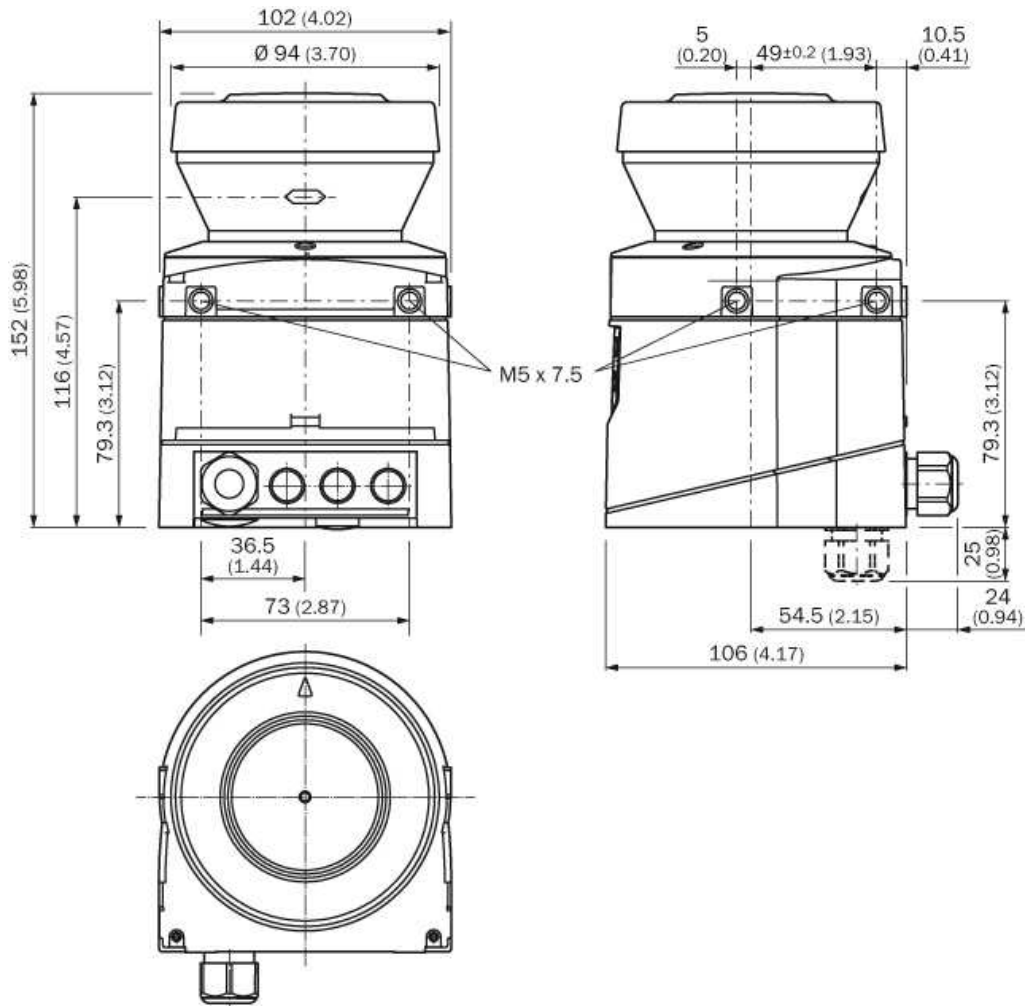
Safe SICK device communication via EFI/SDL: ✓

Technical data

| | |
|---|---|
| Laser class: | 1 (21 CFR 1040.10 and 1040.11, DIN EN 60825:2001) |
| Enclosure rating: | IP 65 (EN 60529) |
| Protection class: | II (EN 50178) |
| Type: | Type 3 (IEC 61496) |
| Safety integrity level: | SIL2 (IEC 61508), SILCL2 (EN 62061) |
| Category: | Category 3 (EN ISO 13849) |
| Performance level: | PL d (EN ISO 13849) |
| PFHd: | 8.0 * 1E-08 (EN ISO 13849) |
| TM (mission time): | 20 a (EN ISO 13849) |
| Ambient operating temperature: | -10 °C ... +50 °C |
| Dimensions (W x H x D): | 102 mm x 152 mm x 106 mm |
| Weight: | 1.2 kg |
| Scan angle: | 270 ° |
| Protective field range: | 2 m |
| Maximum warning field range: | 8 m |
| Number of field sets: | 16 |
| Type of field set: | Triple field sets |
| Number of monitoring cases: | 32 |
| Response time: | 80 ms ¹⁾ |
| Resolution: | 30 mm, 40 mm, 50 mm, 70 mm, configurable |
| Distance measuring range: | 30 m |
| Number of multiple samplings: | Configurable 2 ... 16 |
| Electrical connection: | System plug with or without connecting cable |
| Supply voltage: | 16.8 V DC, 24 V DC, 30 V DC |
| Number of universal I/Os: | 5 ²⁾ |
| Number of EDM inputs: | 1 ³⁾ |
| Number of reset-/restart inputs: | 1 ⁴⁾ |
| Number of static control inputs: | 3 ⁵⁾ |
| Number of static control inputs with EFI: | 5 ⁶⁾ |
| Number of dynamic control inputs: | 2 ⁷⁾ |
| Number of stand-by inputs: | 1 |
| Number of safe outputs: | 2, Safety outputs (OSSD) |
| Number of application diagnostic outputs: | 3 ⁸⁾ |
| Maximum output current: | 250 mA |
| Configuration and diagnostics interface: | RS-232 |
| Data interface: | RS-422 |

¹⁾ Depending on basic response time and multiple sampling ²⁾ Freely programmable, e.g., input external device monitoring, input reset, contamination warning, reset required ^{3) 4)} Availability depends on the configuration of the universal I/Os ⁵⁾ 2+1; additional input only available if reset and reset required are not used. ⁶⁾ In combination with an EFI device (Flexi Soft or EFI gateway) five static control inputs are available. Otherwise three. ⁷⁾ Two of the static switching signals can be used either as dynamic or as static switching signals. ⁸⁾ Freely programmable, e.g., warning field, contamination, reset required

Dimensional drawing



Australia

Phone +61 3 9457 0600
1800 33 48 02 – tollfree
E-Mail sales@sick.com.au

Belgium/Luxembourg

Phone +32 (0)2 466 55 66
E-Mail info@sick.be

Brasil

Phone +55 11 3215-4900
E-Mail marketing@sick.com.br

Canada

Phone +1 905 771 14 44
E-Mail information@sick.com

Česká republika

Phone +420 2 57 91 18 50
E-Mail sick@sick.cz

China

Phone +86 4000 121 000
E-Mail info.china@sick.net.cn
Phone +852-2153 6300
E-Mail ghk@sick.com.hk

Danmark

Phone +45 45 82 64 00
E-Mail sick@sick.dk

Deutschland

Phone +49 211 5301-301
E-Mail info@sick.de

España

Phone +34 93 480 31 00
E-Mail info@sick.es

France

Phone +33 1 64 62 35 00
E-Mail info@sick.fr

Great Britain

Phone +44 (0)1727 831121
E-Mail info@sick.co.uk

India

Phone +91-22-4033 8333
E-Mail info@sick-india.com

Israel

Phone +972-4-6881000
E-Mail info@sick-sensors.com

Italia

Phone +39 02 27 43 41
E-Mail info@sick.it

Japan

Phone +81 (0)3 5309 2112
E-Mail support@sick.jp

Magyarország

Phone +36 1 371 2680
E-Mail office@sick.hu

Nederland

Phone +31 (0)30 229 25 44
E-Mail info@sick.nl

Norge

Phone +47 67 81 50 00
E-Mail sick@sick.no

Österreich

Phone +43 (0)22 36 62 28 8-0
E-Mail office@sick.at

Polska

Phone +48 22 837 40 50
E-Mail info@sick.pl

România

Phone +40 356 171 120
E-Mail office@sick.ro

Russia

Phone +7-495-775-05-30
E-Mail info@sick.ru

Schweiz

Phone +41 41 619 29 39
E-Mail contact@sick.ch

Singapore

Phone +65 6744 3732
E-Mail sales.gsg@sick.com

Slovenija

Phone +386 (0)1-47 69 990
E-Mail office@sick.si

South Africa

Phone +27 11 472 3733
E-Mail info@sickautomation.co.za

South Korea

Phone +82 2 786 6321/4
E-Mail info@sickkorea.net

Suomi

Phone +358-9-25 15 800
E-Mail sick@sick.fi

Sverige

Phone +46 10 110 10 00
E-Mail info@sick.se

Taiwan

Phone +886 2 2375-6288
E-Mail sales@sick.com.tw

Türkiye

Phone +90 (216) 528 50 00
E-Mail info@sick.com.tr

United Arab Emirates

Phone +971 (0) 4 88 65 878
E-Mail info@sick.ae

USA/México

Phone +1(952) 941-6780
1 (800) 325-7425 – tollfree
E-Mail info@sickusa.com

More representatives and agencies
at www.sick.com