



Photoelectric sensors  
W12-2 Laser, Photoelectric retro-reflective  
sensor, autocollimation

WL12L-2B530P01



**Photoelectric sensors**  
**W12-2 Laser, Photoelectric retro-reflective sensor, autocollimation**

**Model Name** > [WL12L-2B530P01](#)  
**Part No.** > [1050943](#)



*Illustration may differ*

**At a glance**

- Laser protection class 1 or 2
- Autocollimation optics
- Rugged sensors for industrial use
- Highly visible laser light spot for versatile detection of objects
- Rugged die-cast zinc housing with optional Teflon® coating
- Versatile mounting options due to dovetail mounting - mounting holes and oblong holes
- Highly visible status LEDs
- Adjustable sensing range and focus

**Your benefits**

- Reliable detection of all types of objects
- High immunity to optical interference ensures fewer false readings and less downtime
- Highly visible laser light spot provides quick and easy setup
- Highly visible status LEDs simplify commissioning and reduce installation time
- Rugged metal housing (optional Teflon® coating available) requires less maintenance due to its resistance to high-pressure cleaning environments
- Laser protection class 1 or 2 for eye safety
- Rotatable connectors simplify installation



**Features**

Sensor/detection principle:	Photoelectric retro-reflective sensor, autocollimation
Dimensions (W x H x D):	15 mm x 49 mm x 41.5 mm
Housing design (light emission):	Rectangular
Sensing range max.:	0 m ... 18 m <sup>1)</sup>
Type of light:	Visible red light
Light source:	Laser <sup>2)</sup>
Laser class:	II
Special features:	Fixed sensitivity control, Fixed focus adjustment
Light spot size (distance):	Ø 0.8 mm (300 mm)

<sup>1)</sup> PL80A <sup>2)</sup> Average service life 50,000 h at T<sub>A</sub> = +25 °C

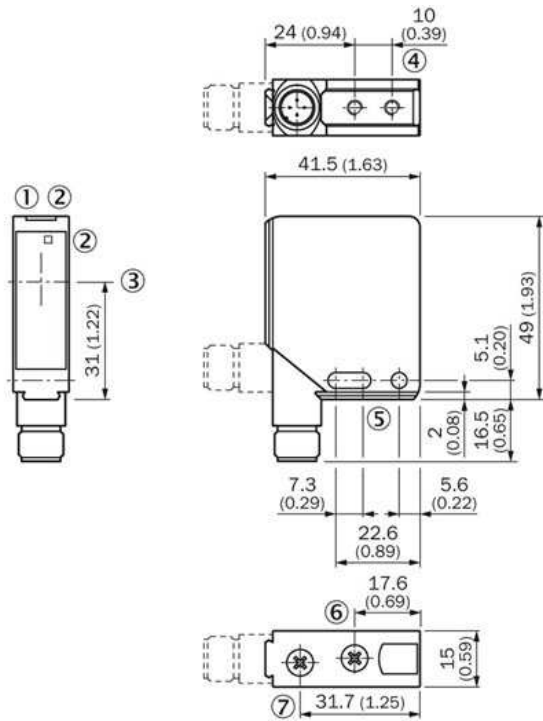
## Mechanics/electronics

---

Supply voltage:	10 V DC ... 30 V DC <sup>1)</sup>
Ripple:	$\leq 5$ Vpp <sup>2)</sup>
Power consumption:	$\leq 55$ mA <sup>3)</sup>
Output type:	NPN, PNP
Switching mode:	Dark switching, Light switching
Switching mode selector:	0 V or not connected, light switching, Uv, dark switching, Selectable via L/D control wire
Output current I <sub>max</sub> .:	100 mA
Response time:	$\leq 200$ $\mu$ s <sup>4)</sup>
Switching frequency:	2,500 Hz <sup>5)</sup>
Connection type:	Connector M12, 5-pin
Circuit protection:::	A, C, D <sup>6) 7) 8)</sup>
Protection class:	II
Weight:	130 g
Polarisation filter:	✓
Special device:	✓
Housing material:	Metal
Enclosure rating:	IP 67 IP 69K
Items supplied:	PL10F
Ambient operating temperature:	-10 °C ... +50 °C
Ambient storage temperature:	-25 °C ... +75 °C
UL File No.:	NRKH.E181493 & NRKH7.E181493
Signal voltage PNP HIGH/LOW:	Uv - < 2.9 V, Uv V/0 V $\leq$ 1.5 V
Signal voltage NPN HIGH/LOW:	Uv - < 2.9 V, Uv V/0 V $\leq$ 1.5 V

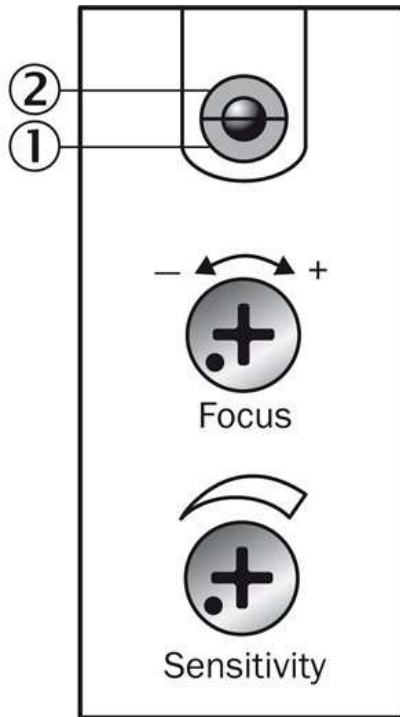
<sup>1)</sup> Limit values, operation in short-circuit protected network max. 8 A <sup>2)</sup> May not exceed or fall short of V<sub>S</sub> tolerances <sup>3)</sup> Without load <sup>4)</sup> Signal transit time with resistive load <sup>5)</sup> With light/dark ratio 1:1 <sup>6)</sup> A = V<sub>S</sub> connections reverse-polarity protected <sup>7)</sup> C = interference suppression <sup>8)</sup> D = outputs overcurrent and short-circuit protected

## Dimensional drawing



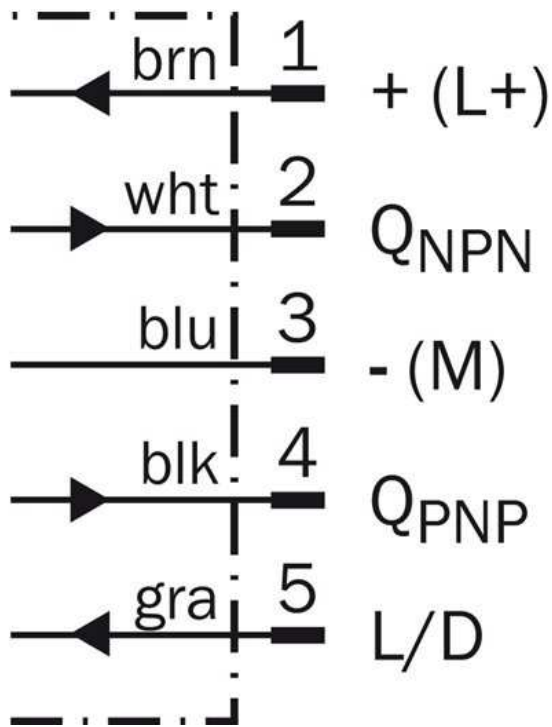
- |1| Operating indicator, green
- |2| LED reception indicator, yellow
- |3| Center of optical axis
- |5| Mounting hole,  $\varnothing$  4.2 mm
- |6| Focal adjustment
- |7| Sensitivity adjustment

## Adjustments possible

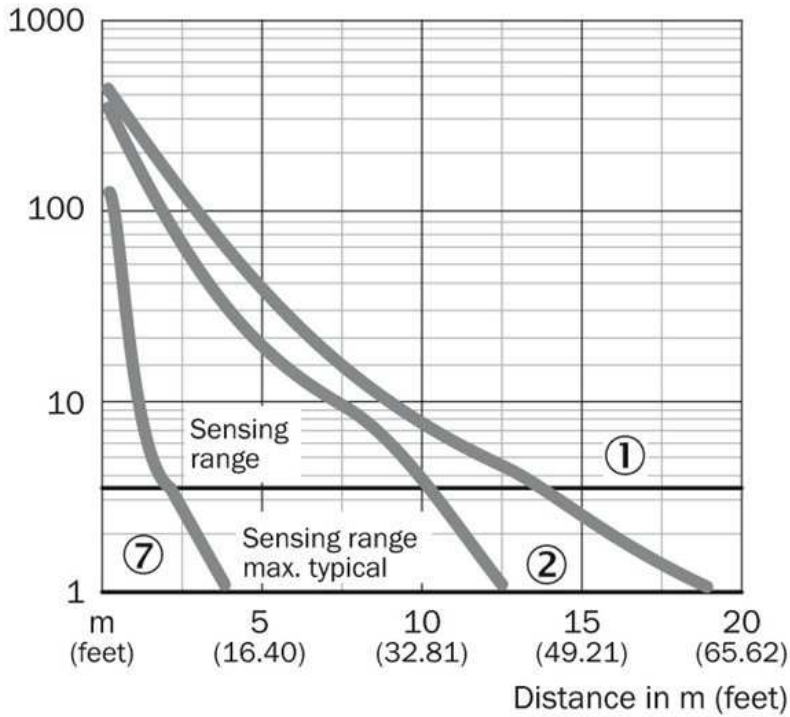


- |1| Operating indicator, green
- |2| LED reception indicator, yellow
- |6| Focal adjustment
- |7| Sensitivity adjustment

Connection diagram

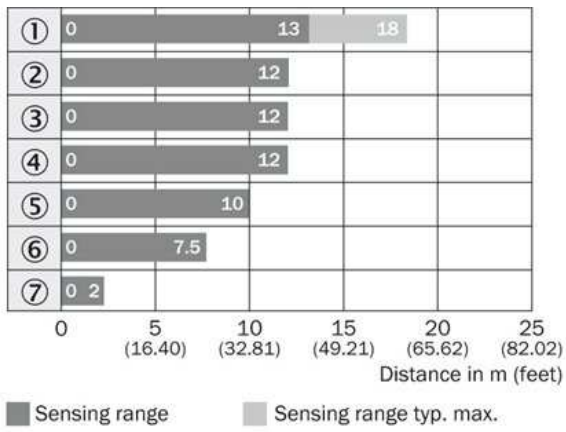


Characteristic curve



- [1] PL80A
- [2] PL50A
- [3] Reflective tape Diamond Grade

## Sensing range diagram

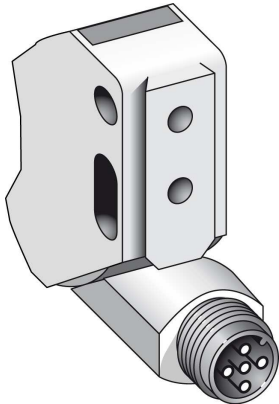


- |1| PL80A
- |2| PL50A
- |3| PL40A
- |4| P250
- |5| PL30A
- |6| PL20A
- |7| Reflective tape Diamond Grade

### Reflector type

- ① PL80A
- ② PL50A
- ③ PL40A
- ④ P250
- ⑤ PL30A
- ⑥ PL20A
- ⑦ Reflective tape  
Diamond Grade

## Connection type



**Australia**

Phone +61 3 9457 0600  
1800 33 48 02 – tollfree  
E-Mail sales@sick.com.au

**Belgium/Luxembourg**

Phone +32 (0)2 466 55 66  
E-Mail info@sick.be

**Brasil**

Phone +55 11 3215-4900  
E-Mail marketing@sick.com.br

**Canada**

Phone +1 905 771 14 44  
E-Mail information@sick.com

**Česká republika**

Phone +420 2 57 91 18 50  
E-Mail sick@sick.cz

**China**

Phone +86 4000 121 000  
E-Mail info.china@sick.net.cn  
Phone +852-2153 6300  
E-Mail ghk@sick.com.hk

**Danmark**

Phone +45 45 82 64 00  
E-Mail sick@sick.dk

**Deutschland**

Phone +49 211 5301-301  
E-Mail info@sick.de

**España**

Phone +34 93 480 31 00  
E-Mail info@sick.es

**France**

Phone +33 1 64 62 35 00  
E-Mail info@sick.fr

**Great Britain**

Phone +44 (0)1727 831121  
E-Mail info@sick.co.uk

**India**

Phone +91-22-4033 8333  
E-Mail info@sick-india.com

**Israel**

Phone +972-4-6881000  
E-Mail info@sick-sensors.com

**Italia**

Phone +39 02 27 43 41  
E-Mail info@sick.it

**Japan**

Phone +81 (0)3 5309 2112  
E-Mail support@sick.jp

**Magyarország**

Phone +36 1 371 2680  
E-Mail office@sick.hu

**Nederland**

Phone +31 (0)30 229 25 44  
E-Mail info@sick.nl

**Norge**

Phone +47 67 81 50 00  
E-Mail sick@sick.no

**Österreich**

Phone +43 (0)22 36 62 28 8-0  
E-Mail office@sick.at

**Polska**

Phone +48 22 837 40 50  
E-Mail info@sick.pl

**România**

Phone +40 356 171 120  
E-Mail office@sick.ro

**Russia**

Phone +7-495-775-05-30  
E-Mail info@sick.ru

**Schweiz**

Phone +41 41 619 29 39  
E-Mail contact@sick.ch

**Singapore**

Phone +65 6744 3732  
E-Mail sales.gsg@sick.com

**Slovenija**

Phone +386 (0)1-47 69 990  
E-Mail office@sick.si

**South Africa**

Phone +27 11 472 3733  
E-Mail info@sickautomation.co.za

**South Korea**

Phone +82 2 786 6321/4  
E-Mail info@sickkorea.net

**Suomi**

Phone +358-9-25 15 800  
E-Mail sick@sick.fi

**Sverige**

Phone +46 10 110 10 00  
E-Mail info@sick.se

**Taiwan**

Phone +886 2 2375-6288  
E-Mail sales@sick.com.tw

**Türkiye**

Phone +90 (216) 528 50 00  
E-Mail info@sick.com.tr

**United Arab Emirates**

Phone +971 (0) 4 88 65 878  
E-Mail info@sick.ae

**USA/México**

Phone +1(952) 941-6780  
1 (800) 325-7425 – tollfree  
E-Mail info@sickusa.com

More representatives and agencies  
at [www.sick.com](http://www.sick.com)