



Photoelectric sensors
W9-3, Photoelectric proximity sensor,
Background suppression

WTB9-3N1111S14



Model Name > [WTB9-3N1111S14](#)
Part No. > [1050948](#)



Illustration may differ

At a glance

- High-performance proximity sensing in ultra-rugged VISTAL™ housing
- PinPoint LED for highly visible and precise light spot
- Two emitter LEDs for best-in-class background suppression
- Variable mounting with M3 or M4 hole pattern
- Wide range of connection options

Your benefits

- Rugged VISTAL™ housing provides reliable installation and operation
- Reliable object detection in all situations using best-in-class technology
- Quick and easy alignment with reliable object detection due to the highly visible PinPoint light spot
- M3 slotted hole mounting for multiple mounting possibilities
- One housing with a wide range of options makes machine integration easy
- Variety of accessories for quick and easy mounting



Features

| | |
|----------------------------------|--|
| Sensor/detection principle: | Photoelectric proximity sensor, Background suppression |
| Dimensions (W x H x D): | 12.2 mm x 50 mm x 23.6 mm |
| Housing design (light emission): | Rectangular |
| Mounting hole: | M3 |
| Sensing range max.: | 20 mm ... 800 mm ¹⁾ |
| Sensing range: | 20 mm ... 400 mm ²⁾ |
| Type of light: | Infrared light |
| Light source: | LED ³⁾ |
| Adjustment: | Potentiometer, 5 turns |
| Light spot size (distance): | Ø 40 mm (400 mm) |

¹⁾ Object with 90 % reflectance (referred to standard white, DIN 5033) ²⁾ Object with 6 % reflectance (referred to standard white, DIN 5033) ³⁾ Average service life of

100,000 h at T_A = +25 °C

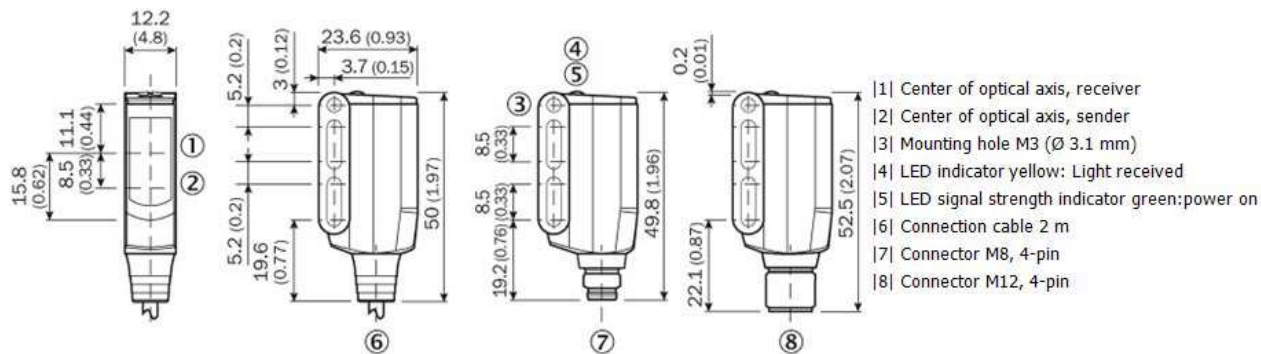
Mechanics/electronics

| | |
|--------------------|-----------------------------------|
| Supply voltage: | 10 V DC ... 30 V DC ¹⁾ |
| Ripple: | < 5 Vpp ²⁾ |
| Power consumption: | ≤ 30 mA ³⁾ |
| Output type: | NPN ⁴⁾ |
| Output function: | Complementary |

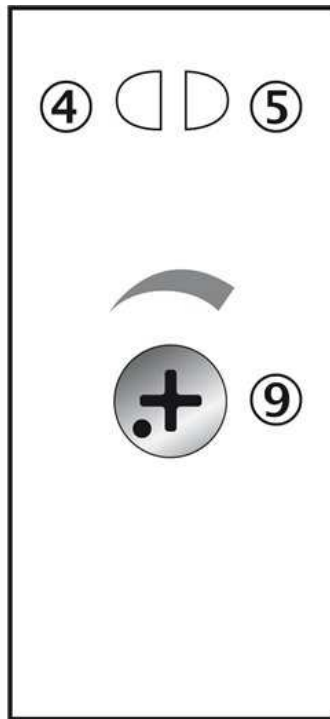
| | |
|------------------------------------|--|
| Switching mode: | Light/dark switching ⁵⁾ |
| Output current I _{max.} : | ≤ 100 mA ⁶⁾ |
| Response time: | < 2.5 ms ⁷⁾ |
| Switching frequency: | 200 Hz ⁸⁾ |
| Connection type: | Cable, 4-wire, 2 m ⁹⁾ |
| Cable material: | PVC |
| Conductor cross-section: | 0.14 mm ² |
| Circuit protection::: | A, B, C ¹⁰⁾ ¹¹⁾ ¹²⁾ |
| Protection class: | III |
| Weight: | 80 g |
| Polarisation filter: | - |
| Optics material: | PMMA |
| Enclosure rating: | IP 66 IP 67 IP 69K |
| Ambient operating temperature: | -40 °C ... +60 °C |
| Ambient storage temperature: | -40 °C ... +75 °C |
| UL File No.: | NRKH.E181493 |
| Housing material: | Plastic, VISTAL |

¹⁾ Limit values, operation in short-circuit protected network max. 8 A ²⁾ May not exceed or fall short of V_S tolerances ³⁾ Without load ⁴⁾ ⁵⁾ Q = light-switching ⁶⁾ As of Tu 50 °C, a max. load current I_{max.} = 50 mA is permitted ⁷⁾ Signal transit time with resistive load ⁸⁾ With light/dark ratio 1:1 ⁹⁾ Do not bend below 0 °C ¹⁰⁾ A = V_S connections reverse-polarity protected ¹¹⁾ B = inputs and output reverse-polarity protected ¹²⁾ C = interference suppression

Dimensional drawing

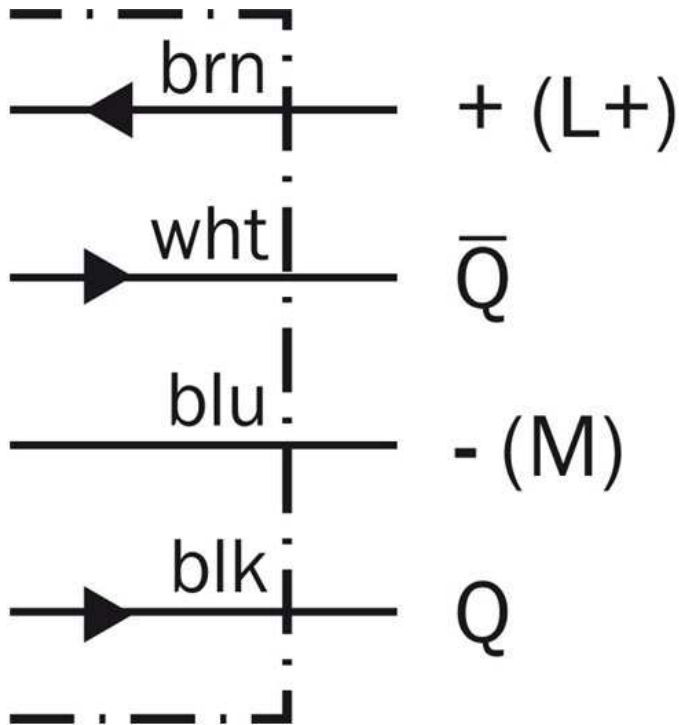


Adjustments possible

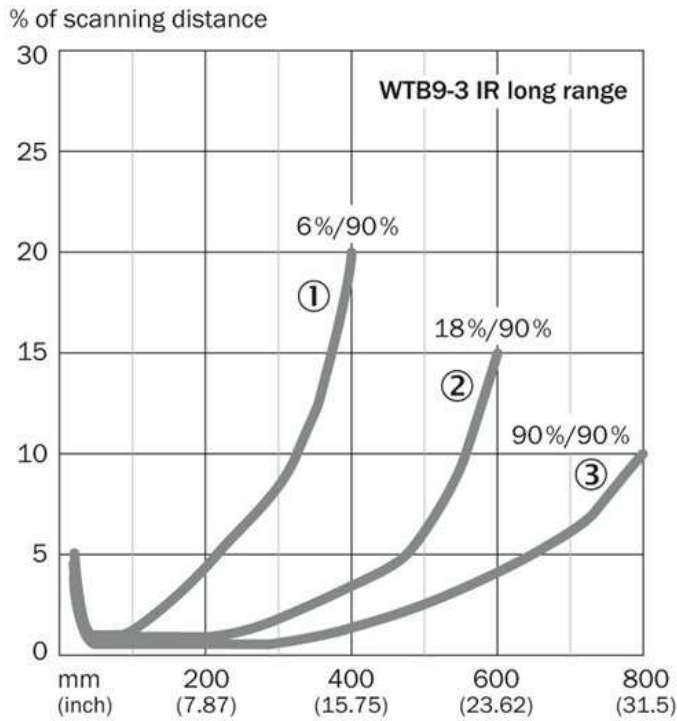


- |4| LED indicator yellow: Light received
- |5| LED signal strength indicator green: power on
- |9| Sensing range adjustment

Connection diagram

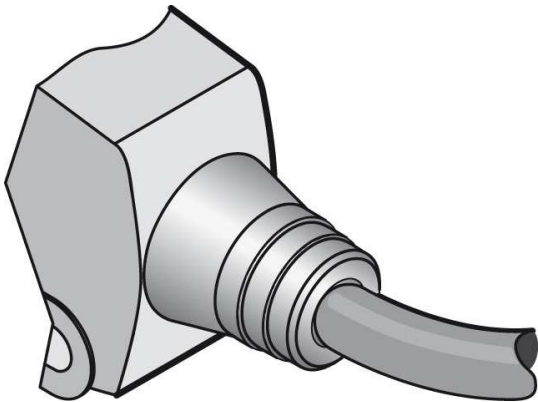


Characteristic curve

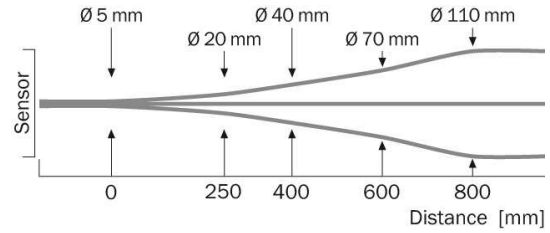


- |1| Sensing range on black, 6 % remission
- |2| Sensing range on gray, 18 % remission
- |3| Sensing range on white, 90 % remission

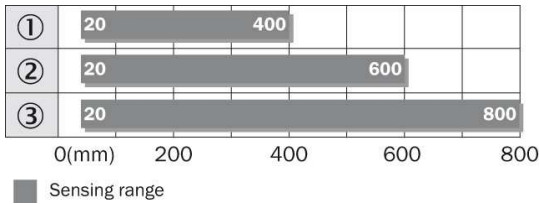
Connection type



Light spot size



Sensing range diagram



Australia

Phone +61 3 9457 0600
1800 33 48 02 – tollfree
E-Mail sales@sick.com.au

Belgium/Luxembourg

Phone +32 (0)2 466 55 66
E-Mail info@sick.be

Brasil

Phone +55 11 3215-4900
E-Mail marketing@sick.com.br

Canada

Phone +1 905 771 14 44
E-Mail information@sick.com

Česká republika

Phone +420 2 57 91 18 50
E-Mail sick@sick.cz

China

Phone +86 4000 121 000
E-Mail info.china@sick.net.cn
Phone +852-2153 6300
E-Mail ghk@sick.com.hk

Danmark

Phone +45 45 82 64 00
E-Mail sick@sick.dk

Deutschland

Phone +49 211 5301-301
E-Mail info@sick.de

España

Phone +34 93 480 31 00
E-Mail info@sick.es

France

Phone +33 1 64 62 35 00
E-Mail info@sick.fr

Great Britain

Phone +44 (0)1727 831121
E-Mail info@sick.co.uk

India

Phone +91-22-4033 8333
E-Mail info@sick-india.com

Israel

Phone +972-4-6881000
E-Mail info@sick-sensors.com

Italia

Phone +39 02 27 43 41
E-Mail info@sick.it

Japan

Phone +81 (0)3 5309 2112
E-Mail support@sick.jp

Magyarország

Phone +36 1 371 2680
E-Mail office@sick.hu

Nederland

Phone +31 (0)30 229 25 44
E-Mail info@sick.nl

Norge

Phone +47 67 81 50 00
E-Mail sick@sick.no

Österreich

Phone +43 (0)22 36 62 28 8-0
E-Mail office@sick.at

Polska

Phone +48 22 837 40 50
E-Mail info@sick.pl

România

Phone +40 356 171 120
E-Mail office@sick.ro

Russia

Phone +7-495-775-05-30
E-Mail info@sick.ru

Schweiz

Phone +41 41 619 29 39
E-Mail contact@sick.ch

Singapore

Phone +65 6744 3732
E-Mail sales.gsg@sick.com

Slovenija

Phone +386 (0)1-47 69 990
E-Mail office@sick.si

South Africa

Phone +27 11 472 3733
E-Mail info@sickautomation.co.za

South Korea

Phone +82 2 786 6321/4
E-Mail info@sickkorea.net

Suomi

Phone +358-9-25 15 800
E-Mail sick@sick.fi

Sverige

Phone +46 10 110 10 00
E-Mail info@sick.se

Taiwan

Phone +886 2 2375-6288
E-Mail sales@sick.com.tw

Türkiye

Phone +90 (216) 528 50 00
E-Mail info@sick.com.tr

United Arab Emirates

Phone +971 (0) 4 88 65 878
E-Mail info@sick.ae

USA/México

Phone +1(952) 941-6780
1 (800) 325-7425 – tollfree
E-Mail info@sickusa.com

More representatives and agencies
at www.sick.com