



Switching automation light grids PLG, PLG6

PLG6-060F434



Model Name > [PLG6-060F434](#)
Part No. > [1051978](#)



At a glance

- 360° visible job LED
- Detection height 60 mm
- Optically confirms the right bin was picked
- Bus connection possible
- The smallest pick-to-light light grid

Your benefits

- The integrated job LED reduces the order picker's search time
- Low assembly costs thanks to the PLG's clever design
- Tough aluminum housing ensures that sensor damage is kept to a minimum and helps reduce repair costs
- Reflective tape on the sensor avoids additional assembly and cabling costs



Features

Technology:	Retro-reflective light grid
Task:	Switching light grid
Minimum detectable object (MDO):	Parallel beam, 70 mm
Beam separation:	60 mm
Number of beams:	2
Detection height:	60 mm

Performance

Minimum range:	≥60 mm
Response time ¹⁾ :	Parallel beam: ≥5 ms
Working range (reflective tape REF-PLG):	0.35 m

¹⁾ With resistive load

Interfaces

Output type:	1 x PNP (Q)
Connection type:	Short cable (0.28 m) with connector M12, 4-pin
Input current:	30 mA
Job LED input:	PNP

Mechanics/electronics

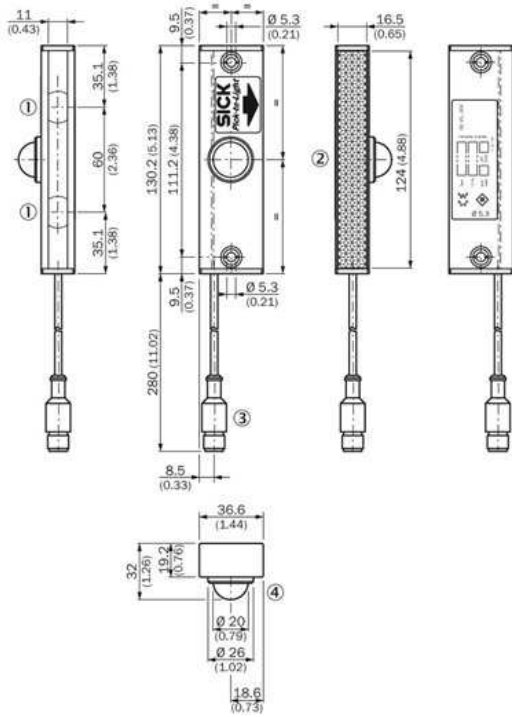
Wave length:	660 nm
Supply voltage V_s ¹⁾ :	DC 15 V ... 30 V
Power consumption sender:	50 mA
Power consumption receiver:	< 50 mA
Current consumption job LED ²⁾ :	30 mA
Ripple:	< 5 Vpp
Output current $I_{max.}$:	50 mA
Initialization time:	< 1 s
Dimensions (W x H x D):	35.6 mm x 130 mm x 32 mm
Housing material:	Aluminum
Indication:	LED
Enclosure rating:	IP 40
Circuit protection:	Output Q short-circuit protected Interference suppression VS connections reverse-polarity protected
Weight:	< 500 g
Front screen:	PMMA
Output mode ³⁾ :	Q dark switching

1) 2) Typical value 3) Q = active in case one beam is interrupted, /Q = active in case all beam are free

Ambient data

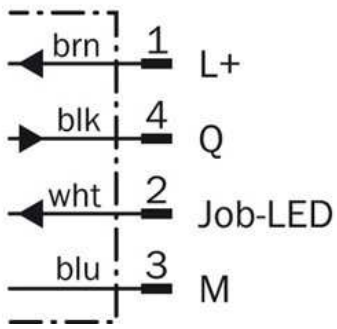
Protection class:	III
EMC:	EN 60947-5-2
Ambient temperature:	Operation: -10 ... +55 °C Storage: -25 ... +70 °C
Vibration resistance:	5 g, 10 Hz ... 55 Hz (IEC 68-2-6)
Shock load:	10 g/DIN EN 60068-2-29/16 ms

Dimensional drawing



- [1] Photoelectric retro-reflective sensor
- [2] Reflective tape
- [3] Connector M12, 4-pin
- [4] Job-LED, red

Connection type and diagram



Australia

Phone +61 3 9457 0600
1800 33 48 02 – tollfree
E-Mail sales@sick.com.au

Belgium/Luxembourg

Phone +32 (0)2 466 55 66
E-Mail info@sick.be

Brasil

Phone +55 11 3215-4900
E-Mail marketing@sick.com.br

Canada

Phone +1 905 771 14 44
E-Mail information@sick.com

Česká republika

Phone +420 2 57 91 18 50
E-Mail sick@sick.cz

China

Phone +86 4000 121 000
E-Mail info.china@sick.net.cn
Phone +852-2153 6300
E-Mail ghk@sick.com.hk

Danmark

Phone +45 45 82 64 00
E-Mail sick@sick.dk

Deutschland

Phone +49 211 5301-301
E-Mail info@sick.de

España

Phone +34 93 480 31 00
E-Mail info@sick.es

France

Phone +33 1 64 62 35 00
E-Mail info@sick.fr

Great Britain

Phone +44 (0)1727 831121
E-Mail info@sick.co.uk

India

Phone +91-22-4033 8333
E-Mail info@sick-india.com

Israel

Phone +972-4-6881000
E-Mail info@sick-sensors.com

Italia

Phone +39 02 27 43 41
E-Mail info@sick.it

Japan

Phone +81 (0)3 5309 2112
E-Mail support@sick.jp

Magyarország

Phone +36 1 371 2680
E-Mail office@sick.hu

Nederland

Phone +31 (0)30 229 25 44
E-Mail info@sick.nl

Norge

Phone +47 67 81 50 00
E-Mail sick@sick.no

Österreich

Phone +43 (0)22 36 62 28 8-0
E-Mail office@sick.at

Polska

Phone +48 22 837 40 50
E-Mail info@sick.pl

România

Phone +40 356 171 120
E-Mail office@sick.ro

Russia

Phone +7-495-775-05-30
E-Mail info@sick.ru

Schweiz

Phone +41 41 619 29 39
E-Mail contact@sick.ch

Singapore

Phone +65 6744 3732
E-Mail sales.gsg@sick.com

Slovenija

Phone +386 (0)1-47 69 990
E-Mail office@sick.si

South Africa

Phone +27 11 472 3733
E-Mail info@sickautomation.co.za

South Korea

Phone +82 2 786 6321/4
E-Mail info@sickkorea.net

Suomi

Phone +358-9-25 15 800
E-Mail sick@sick.fi

Sverige

Phone +46 10 110 10 00
E-Mail info@sick.se

Taiwan

Phone +886 2 2375-6288
E-Mail sales@sick.com.tw

Türkiye

Phone +90 (216) 528 50 00
E-Mail info@sick.com.tr

United Arab Emirates

Phone +971 (0) 4 88 65 878
E-Mail info@sick.ae

USA/México

Phone +1(952) 941-6780
1 (800) 325-7425 – tollfree
E-Mail info@sickusa.com

More representatives and agencies
at www.sick.com