



2D vision
Inspector, Inspector P-series, Inspector P30

VSPP-3F1122



Model Name > [VSPP-3F1122](#)
Part No. > [1051982](#)



At a glance

- High-speed positioning and guidance
- Powerful “object locator” tool gives position of taught-in objects
- Easy-to-use “blob locator” tool to find free form targets
- Directional guidance over digital outputs
- Precise pixel position and angle orientation data provided over Ethernet
- Log statistics and record images
- Inspector Flex housing supports optional lenses, lighting and filters
- Easy-to-use interface software with emulator functionality

Your benefits

- Positioning of taught-in part provides a precise and repetitive coordinate point of the part
- Free form target support function is ideal for food positioning where the targets vary in shape
- Pixel and angle data over Ethernet provides a cost-effective solution for precise positioning
- Guidance over digital outputs enables fast and easy setup without Ethernet protocol knowledge
- Positioning over digital outputs enables extended feature support with plug-and-play connectivity to high bay system setup
- Unique, Inspector Flex housing design enables maximum reliability by allowing user to optimize image quality
- Guidance using digital outputs makes implementation on AGVs an easy, cost-effective alternative to more costly navigation systems



Features

Task:	Positioning
Technology:	2D Image analysis Snapshot
Toolset:	Blob locator Object locator
Focus:	Adjustable focus (manually)
Sensor:	CMOS matrix sensor, gray scale values
Sensing distance:	≥ 50 mm
Working distance internal illumination:	50 mm ... 200 mm
Field of view internal illumination:	20 mm x 20 mm ... 72 mm x 72 mm

Spectral range:	Ca. 400 nm ... 750 nm
LED class:	Risk group 1 (low risk, IEC62471 : 2006)
Focal length:	6 mm
Offline support:	Emulator
Sensor resolution:	384 px x 384 px
Internal lighting:	White
Robot coordinate alignment:	-

Performance

Maximum performance:	75 fps
Typical performance:	40 fps
Reference images:	16 objects

Interfaces

Operator interfaces:	Inspector Viewer
Data store and retrieve:	Record images on PC 30 images device log
Ethernet communication:	TCP/IP
Digital inputs:	3 inputs (24 V)
Configurable inputs:	Reference object selection Encoder input External trigger External teach
Digital outputs:	4 outputs, 24 V (B-type)
Output current:	100 mA
Default outputs:	Directional guidance
Maximum encoder frequency:	40 kHz
Control of external illumination:	5 V TTL
Serial (RS-232, RS-422):	-
Ethernet:	✓
Data transmission rate (Ethernet):	100 Mbit/s
Configuration software:	SOPAS

Mechanics/electronics

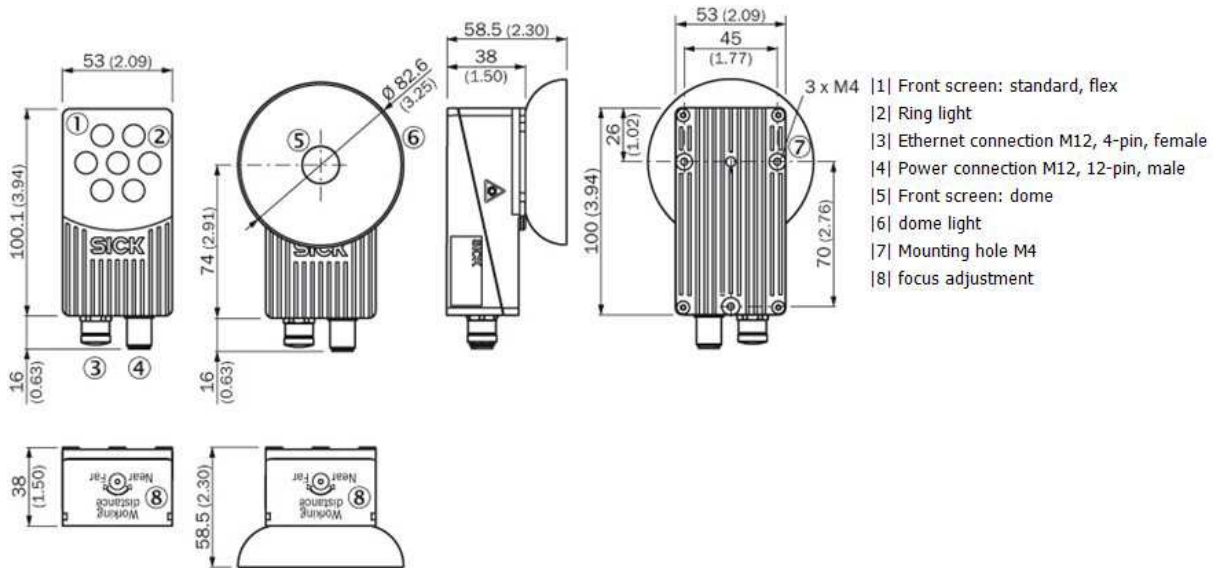
Connectors:	M12, 12-pin male connector M12, 4-pin female connector
Supply voltage:	24 V DC± 20 %
Power consumption:	< 450 mA Without output load
Ripple:	< 5 Vpp
Enclosure rating:	IP 67
Housing material:	Aluminum
Window material:	PMMA
Dimensions (L x W x H):	100 mm x 53 mm x 38 mm
Optics:	Exchangeable (M12-mount)
Weight:	350 g

Ambient data

Shock load:	EN 60068-2-27
Vibration load:	IEC 60068-2-6
Ambient operating temperature ¹⁾ :	0 °C ... +45 °C
Ambient storage temperature ²⁾ :	-20 °C ... +70 °C

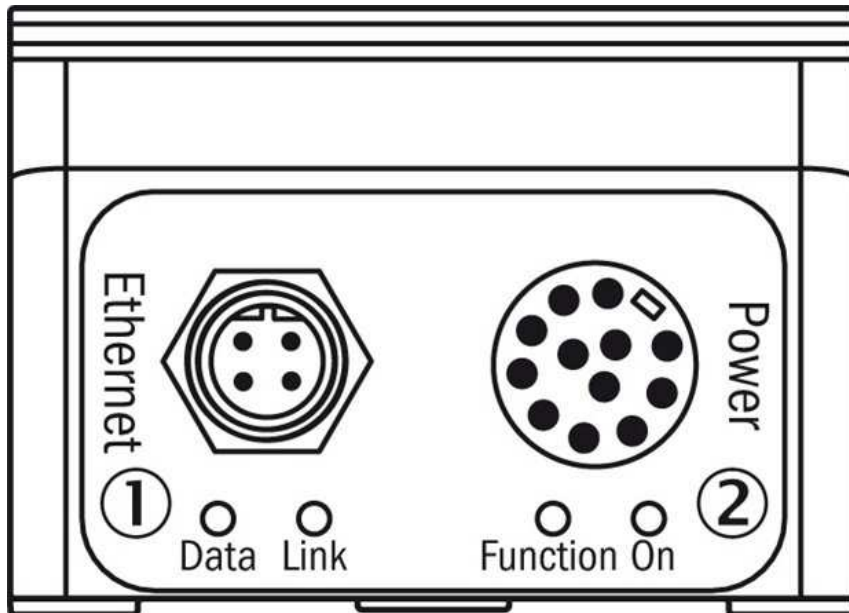
1) 2) Relative humidity: 35 % ... 85 %, 95 % at operation

Dimensional drawing



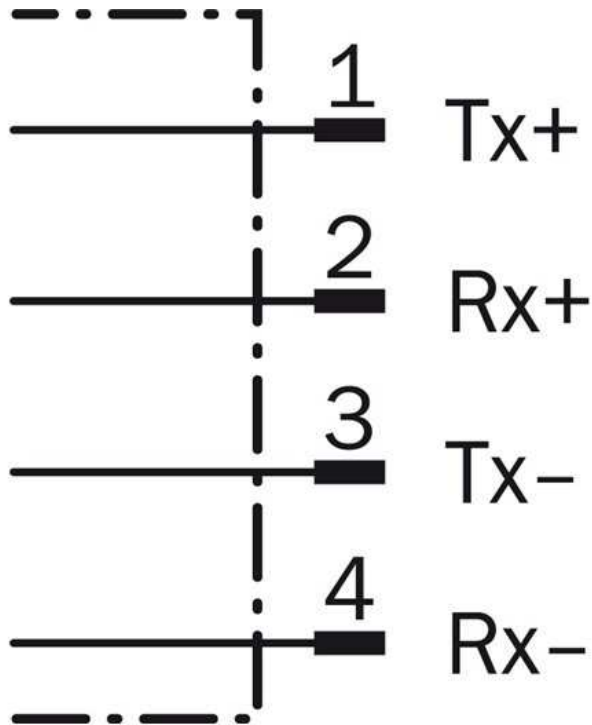
- |1| Front screen: standard, flex
- |2| Ring light
- |3| Ethernet connection M12, 4-pin, female
- |4| Power connection M12, 12-pin, male
- |5| Front screen: dome
- |6| dome light
- |7| Mounting hole M4
- |8| focus adjustment

Connection type

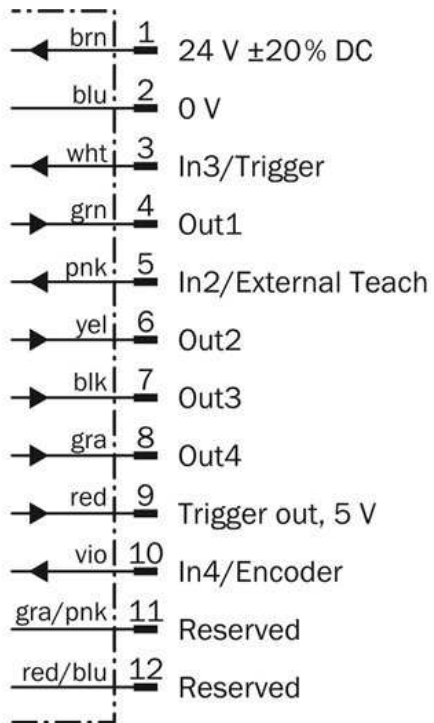


- |1| Ethernet connection M12, 4-pin, female
- |2| Power connection M12, 12-pin, male

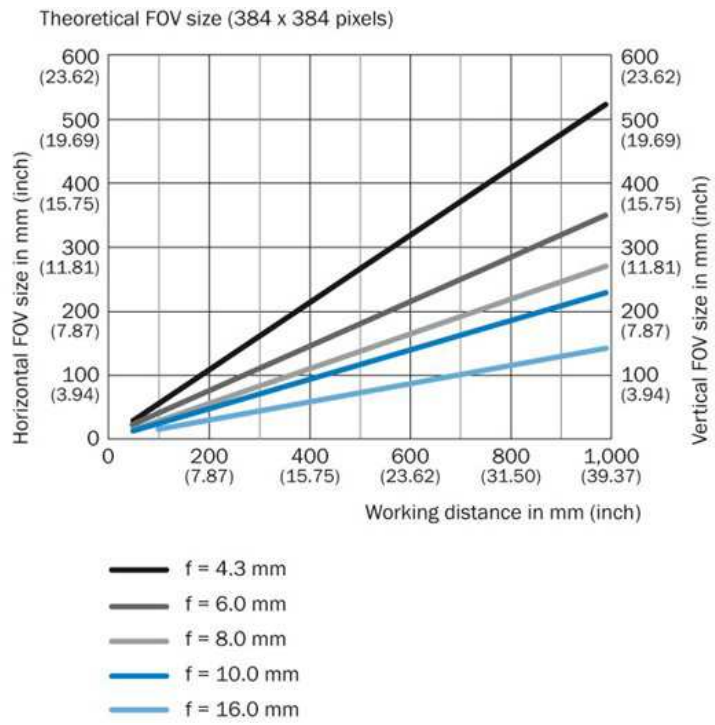
Connection diagram Ethernet



Connection diagram M12, 12-pin



Field of view



Australia

Phone +61 3 9457 0600
1800 33 48 02 – tollfree
E-Mail sales@sick.com.au

Belgium/Luxembourg

Phone +32 (0)2 466 55 66
E-Mail info@sick.be

Brasil

Phone +55 11 3215-4900
E-Mail marketing@sick.com.br

Canada

Phone +1 905 771 14 44
E-Mail information@sick.com

Česká republika

Phone +420 2 57 91 18 50
E-Mail sick@sick.cz

China

Phone +86 4000 121 000
E-Mail info.china@sick.net.cn
Phone +852-2153 6300
E-Mail ghk@sick.com.hk

Danmark

Phone +45 45 82 64 00
E-Mail sick@sick.dk

Deutschland

Phone +49 211 5301-301
E-Mail info@sick.de

España

Phone +34 93 480 31 00
E-Mail info@sick.es

France

Phone +33 1 64 62 35 00
E-Mail info@sick.fr

Great Britain

Phone +44 (0)1727 831121
E-Mail info@sick.co.uk

India

Phone +91-22-4033 8333
E-Mail info@sick-india.com

Israel

Phone +972-4-6881000
E-Mail info@sick-sensors.com

Italia

Phone +39 02 27 43 41
E-Mail info@sick.it

Japan

Phone +81 (0)3 5309 2112
E-Mail support@sick.jp

Magyarország

Phone +36 1 371 2680
E-Mail office@sick.hu

Nederland

Phone +31 (0)30 229 25 44
E-Mail info@sick.nl

Norge

Phone +47 67 81 50 00
E-Mail sick@sick.no

Österreich

Phone +43 (0)22 36 62 28 8-0
E-Mail office@sick.at

Polska

Phone +48 22 837 40 50
E-Mail info@sick.pl

România

Phone +40 356 171 120
E-Mail office@sick.ro

Russia

Phone +7-495-775-05-30
E-Mail info@sick.ru

Schweiz

Phone +41 41 619 29 39
E-Mail contact@sick.ch

Singapore

Phone +65 6744 3732
E-Mail sales.gsg@sick.com

Slovenija

Phone +386 (0)1-47 69 990
E-Mail office@sick.si

South Africa

Phone +27 11 472 3733
E-Mail info@sickautomation.co.za

South Korea

Phone +82 2 786 6321/4
E-Mail info@sickkorea.net

Suomi

Phone +358-9-25 15 800
E-Mail sick@sick.fi

Sverige

Phone +46 10 110 10 00
E-Mail info@sick.se

Taiwan

Phone +886 2 2375-6288
E-Mail sales@sick.com.tw

Türkiye

Phone +90 (216) 528 50 00
E-Mail info@sick.com.tr

United Arab Emirates

Phone +971 (0) 4 88 65 878
E-Mail info@sick.ae

USA/México

Phone +1(952) 941-6780
1 (800) 325-7425 – tollfree
E-Mail info@sickusa.com

More representatives and agencies
at www.sick.com