



safety laser scanners
S3000 Expert, Sensor head with I/O module

S30A-6011GB



Model Name > S30A-6011GB
Part No. > 1052108



At a glance

- 5.5 m protective field range
- 32 switchable field sets
- Configuration memory integrated in the system plug
- EFI interface for safe SICK device communication
- Incremental encoder inputs for speed-dependent field switching
- Extended measured data output via RS-422 with landmark recognition
- Simultaneous monitoring of up to 4 protective fields

Your benefits

- Largest protective field range in the market increases the variety of application possibilities
- Variety of field sets ensures safety and productivity when protecting vehicles or moving machine parts
- Expandable modular system, simple cabling and additional functions such as the simultaneous monitoring of up to four protective fields using SICK safety controllers with EFI
- Quick recommissioning via configuration memory
- The correct protective field at any speed avoids unnecessary stops.
- Personnel protection and navigation support in one device
- Easy installation, commissioning and maintenance for stationary and mobile applications
- Decades of proven safety technology guarantee maximum reliability and productivity - even under difficult conditions



Applications

Hazardous area protection (vertical):	✓
Access protection (vertical):	✓
Hazardous area protection (horizontal):	✓

Functions

Number of simultaneously monitored protective fields:	≤ 4 ¹⁾
Static protective field switching:	✓
Incremental encoder inputs:	✓
External device monitoring (EDM):	✓
Integrated configuration memory:	✓

Expanded measured data output (CMS):	✓
Measured data output:	✓
Safe SICK device communication via EFI/SDL:	✓

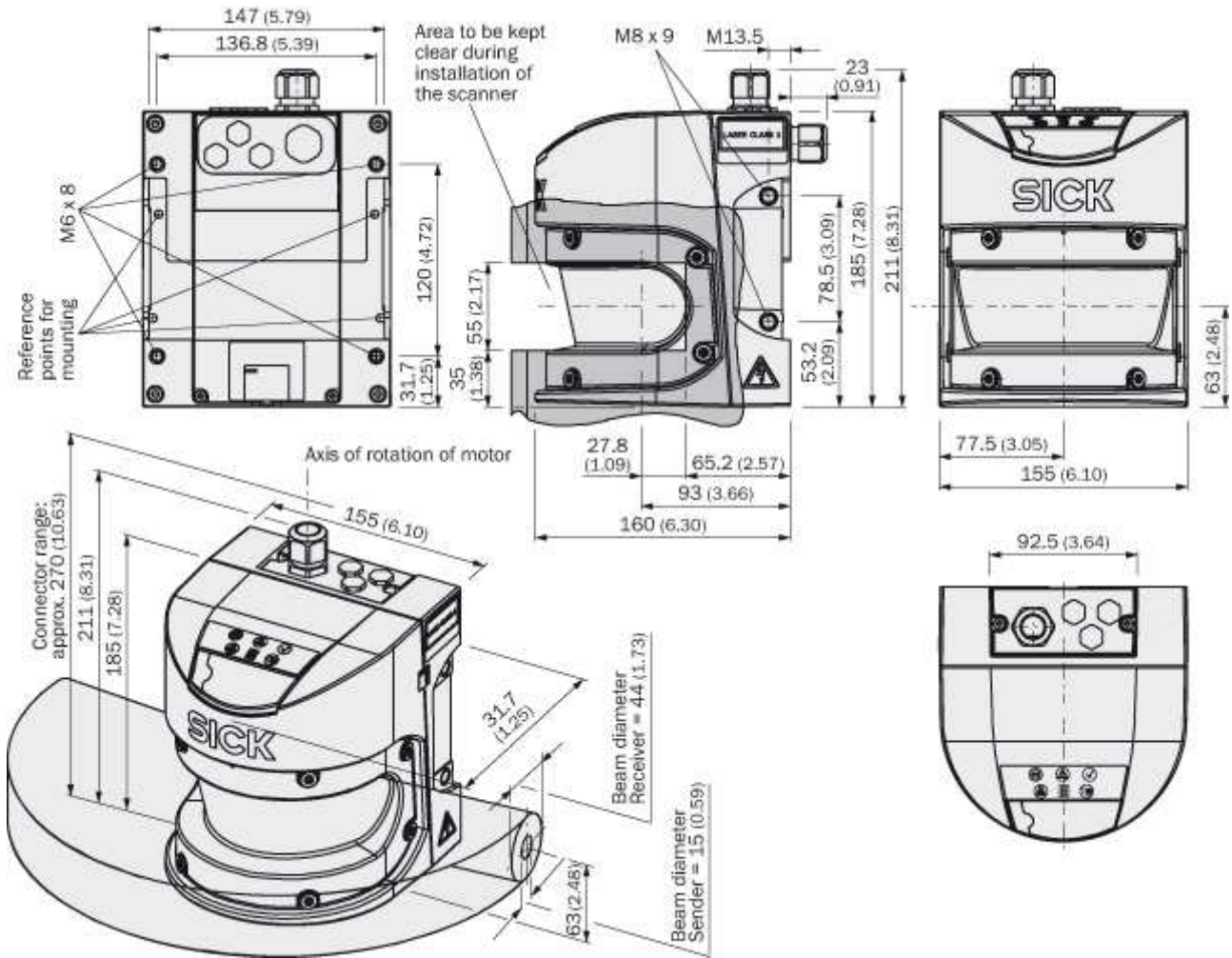
¹⁾ If more than one protective field is monitored simultaneously, then the safe output signals must be routed to safe outputs of a Flexi Soft safety controller, or via a safe EFI gateway.

Technical data

Laser class:	1 (21 CFR 1040.10 and 1040.11, DIN EN 60825:2001)
Enclosure rating:	IP 65 (EN 60529)
Protection class:	II (EN 50178)
Type:	Type 3 (IEC 61496)
Safety integrity level:	SIL2 (IEC 61508), SILCL2 (EN 62061)
Category:	Category 3 (EN ISO 13849)
Performance level:	PL d (EN ISO 13849)
PFHd:	8.0 * 1E-08 (EN ISO 13849)
TM (mission time):	20 a (EN ISO 13849)
Ambient operating temperature:	-10 °C ... +50 °C
Dimensions (W x H x D):	155 mm x 185 mm x 160 mm
Weight:	3.3 kg
Scan angle:	190 °
Protective field range:	5.5 m
Maximum warning field range:	49 m
Number of field sets:	32 ¹⁾
Type of field set:	Dual field sets, Triple field sets
Number of monitoring cases:	32 ²⁾
Response time:	60 ms ³⁾
Resolution:	30 mm, 40 mm, 50 mm, 70 mm, 150 mm, configurable
Distance measuring range:	49 m
Number of multiple samplings:	Configurable 2 ... 16
Electrical connection:	System plug with or without connecting cable
Supply voltage:	16.8 V DC, 24 V DC, 28.8 V DC
Number of EDM inputs:	1
Number of reset-/restart inputs:	1
Number of static control inputs:	4
Number of static control inputs with EFI:	5 ⁴⁾
Number of dynamic control inputs:	2 ⁵⁾
Number of safe outputs:	2, Safety outputs (OSSD)
Number of application diagnostic outputs:	3 ⁶⁾
Maximum output current:	500 mA
Configuration and diagnostics interface:	RS-232
Data interface:	RS-422

¹⁾ In dual field mode 32, in triple field mode 21 field sets ²⁾ In combination with an additional static input via EFI or using the dynamic inputs on the device. Otherwise 16. ³⁾ Depending on basic response time and multiple sampling ⁴⁾ In combination with an EFI device (Flexi Soft or EFI gateway) five static control inputs are available. Otherwise four. ⁵⁾ Two of the static switching signals can be used either as dynamic or as static switching signals. ⁶⁾ Freely programmable, e.g., warning field, contamination, reset required

Dimensional drawing



Australia

Phone +61 3 9457 0600
1800 33 48 02 – tollfree
E-Mail sales@sick.com.au

Belgium/Luxembourg

Phone +32 (0)2 466 55 66
E-Mail info@sick.be

Brasil

Phone +55 11 3215-4900
E-Mail marketing@sick.com.br

Canada

Phone +1 905 771 14 44
E-Mail information@sick.com

Česká republika

Phone +420 2 57 91 18 50
E-Mail sick@sick.cz

China

Phone +86 4000 121 000
E-Mail info.china@sick.net.cn
Phone +852-2153 6300
E-Mail ghk@sick.com.hk

Danmark

Phone +45 45 82 64 00
E-Mail sick@sick.dk

Deutschland

Phone +49 211 5301-301
E-Mail info@sick.de

España

Phone +34 93 480 31 00
E-Mail info@sick.es

France

Phone +33 1 64 62 35 00
E-Mail info@sick.fr

Great Britain

Phone +44 (0)1727 831121
E-Mail info@sick.co.uk

India

Phone +91-22-4033 8333
E-Mail info@sick-india.com

Israel

Phone +972-4-6881000
E-Mail info@sick-sensors.com

Italia

Phone +39 02 27 43 41
E-Mail info@sick.it

Japan

Phone +81 (0)3 5309 2112
E-Mail support@sick.jp

Magyarország

Phone +36 1 371 2680
E-Mail office@sick.hu

Nederland

Phone +31 (0)30 229 25 44
E-Mail info@sick.nl

Norge

Phone +47 67 81 50 00
E-Mail sick@sick.no

Österreich

Phone +43 (0)22 36 62 28 8-0
E-Mail office@sick.at

Polska

Phone +48 22 837 40 50
E-Mail info@sick.pl

România

Phone +40 356 171 120
E-Mail office@sick.ro

Russia

Phone +7-495-775-05-30
E-Mail info@sick.ru

Schweiz

Phone +41 41 619 29 39
E-Mail contact@sick.ch

Singapore

Phone +65 6744 3732
E-Mail sales.gsg@sick.com

Slovenija

Phone +386 (0)1-47 69 990
E-Mail office@sick.si

South Africa

Phone +27 11 472 3733
E-Mail info@sickautomation.co.za

South Korea

Phone +82 2 786 6321/4
E-Mail info@sickkorea.net

Suomi

Phone +358-9-25 15 800
E-Mail sick@sick.fi

Sverige

Phone +46 10 110 10 00
E-Mail info@sick.se

Taiwan

Phone +886 2 2375-6288
E-Mail sales@sick.com.tw

Türkiye

Phone +90 (216) 528 50 00
E-Mail info@sick.com.tr

United Arab Emirates

Phone +971 (0) 4 88 65 878
E-Mail info@sick.ae

USA/México

Phone +1(952) 941-6780
1 (800) 325-7425 – tollfree
E-Mail info@sickusa.com

More representatives and agencies
at www.sick.com