



Level sensors
Optical level switch

MHF15-21NG1PSM



Model Name > [MHF15-21NG1PSM](#)
Part No. > [1052237](#)



At a glance

- Robust level monitoring in liquid without additional requirements
- Small, compact design; no medium calibration required
- Process temperature up to 55 °C, process pressure up to 16 bar
- IP 67 and IP 69K enclosure rating
- Process connection G ½
- Highly medium resistant due to stainless steel housing 1.4404, polysulfone apex
- Output available as PNP or NPN transistor
- FDA-compliant, UL

Your benefits

- Small, compact sensor ideal for difficult installation conditions with limited space
- Quick commissioning without medium calibration saves time and money
- No moving mechanical parts reduce maintenance and eliminate the need to recalibrate -- even after long periods of use.



Features

Medium:	Fluids
Measurement:	Switch
Light source:	LED
Type of light:	Red light
Wave length:	650 nm
Process pressure:	-0.5 bar ... 16 bar
Process temperature:	-25 °C ... +55 °C
GOST approval:	✓
UL approval:	✓
RoHS certificate:	✓

Performance

Response time:	2 ms
----------------	------

Mechanical data

Housing material:	Stainless steel 1.4404
Process connection:	G ½
Wetted parts:	Stainless steel 316L, polysulfon, NBR

Electrical data

Enclosure rating:	IP 67: EN 60529, IP 69K: EN 40050
Supply voltage:	10 V DC ... 30 V DC ¹⁾
Ripple:	≤ 5 Vpp ²⁾
Power consumption:	≤ 30 mA at 24 V DC without output load
Protection class:	III
Output signal:	1x PNP ³⁾
Switching mode:	Normally closed
Output current:	≤ 100 mA ⁴⁾
Signal voltage HIGH:	Vs - 2.9 V
Signal voltage LOW:	Approx. 0 V
Switching frequency:	250 Hz ⁵⁾
Connection type:	Round connector M12 x 1, 4-pin

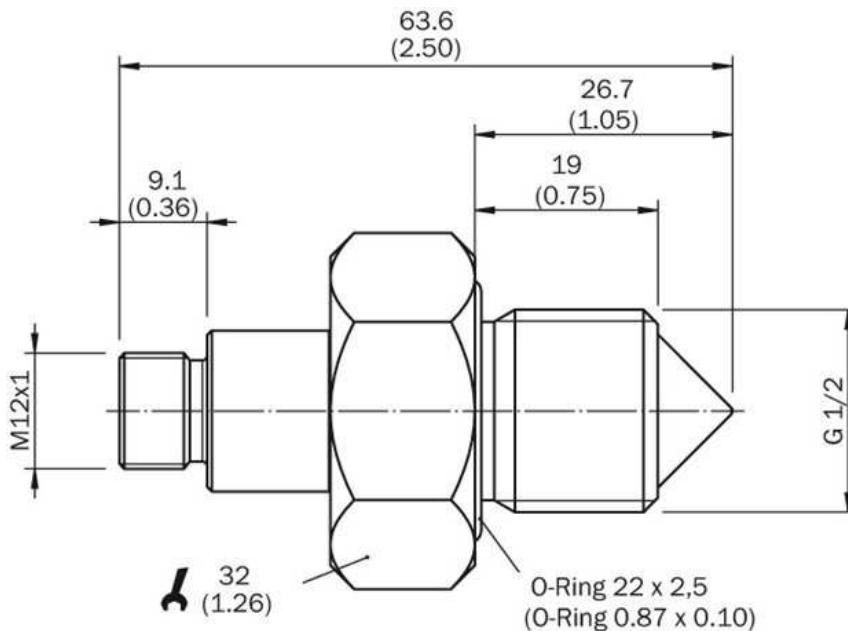
¹⁾ V_S connections reverse-polarity protected ²⁾ May not exceed or fall short of V_S tolerances ^{3) 4)} Output overcurrent and short-circuit protected ⁵⁾ With light/dark ratio

1:1

Ambient data

Ambient operating temperature:	-25 °C ... +55 °C
Ambient storage temperature:	-25 °C ... +70 °C

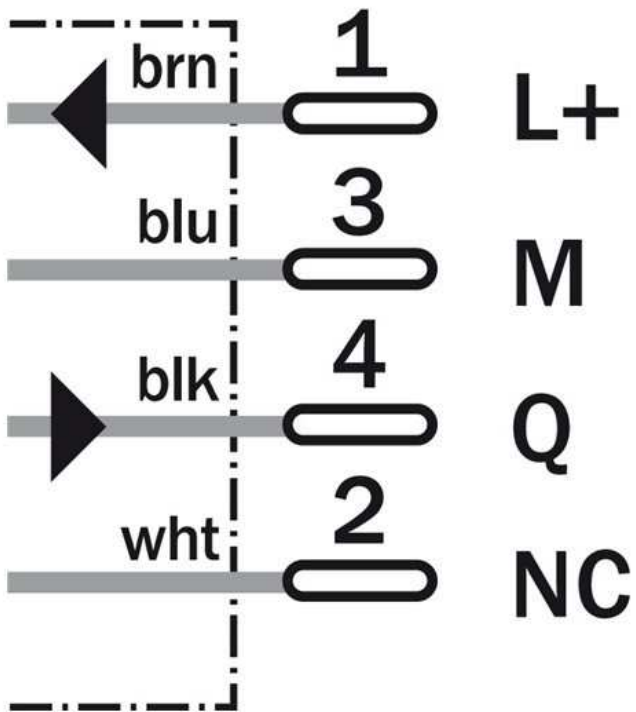
Dimensional drawing



Connection type



Connection diagram



Australia

Phone +61 3 9457 0600
1800 33 48 02 – tollfree
E-Mail sales@sick.com.au

Belgium/Luxembourg

Phone +32 (0)2 466 55 66
E-Mail info@sick.be

Brasil

Phone +55 11 3215-4900
E-Mail marketing@sick.com.br

Canada

Phone +1 905 771 14 44
E-Mail information@sick.com

Česká republika

Phone +420 2 57 91 18 50
E-Mail sick@sick.cz

China

Phone +86 4000 121 000
E-Mail info.china@sick.net.cn
Phone +852-2153 6300
E-Mail ghk@sick.com.hk

Danmark

Phone +45 45 82 64 00
E-Mail sick@sick.dk

Deutschland

Phone +49 211 5301-301
E-Mail info@sick.de

España

Phone +34 93 480 31 00
E-Mail info@sick.es

France

Phone +33 1 64 62 35 00
E-Mail info@sick.fr

Great Britain

Phone +44 (0)1727 831121
E-Mail info@sick.co.uk

India

Phone +91-22-4033 8333
E-Mail info@sick-india.com

Israel

Phone +972-4-6881000
E-Mail info@sick-sensors.com

Italia

Phone +39 02 27 43 41
E-Mail info@sick.it

Japan

Phone +81 (0)3 5309 2112
E-Mail support@sick.jp

Magyarország

Phone +36 1 371 2680
E-Mail office@sick.hu

Nederland

Phone +31 (0)30 229 25 44
E-Mail info@sick.nl

Norge

Phone +47 67 81 50 00
E-Mail sick@sick.no

Österreich

Phone +43 (0)22 36 62 28 8-0
E-Mail office@sick.at

Polska

Phone +48 22 837 40 50
E-Mail info@sick.pl

România

Phone +40 356 171 120
E-Mail office@sick.ro

Russia

Phone +7-495-775-05-30
E-Mail info@sick.ru

Schweiz

Phone +41 41 619 29 39
E-Mail contact@sick.ch

Singapore

Phone +65 6744 3732
E-Mail sales.gsg@sick.com

Slovenija

Phone +386 (0)1-47 69 990
E-Mail office@sick.si

South Africa

Phone +27 11 472 3733
E-Mail info@sickautomation.co.za

South Korea

Phone +82 2 786 6321/4
E-Mail info@sickkorea.net

Suomi

Phone +358-9-25 15 800
E-Mail sick@sick.fi

Sverige

Phone +46 10 110 10 00
E-Mail info@sick.se

Taiwan

Phone +886 2 2375-6288
E-Mail sales@sick.com.tw

Türkiye

Phone +90 (216) 528 50 00
E-Mail info@sick.com.tr

United Arab Emirates

Phone +971 (0) 4 88 65 878
E-Mail info@sick.ae

USA/México

Phone +1(952) 941-6780
1 (800) 325-7425 – tollfree
E-Mail info@sickusa.com

More representatives and agencies
at www.sick.com