



Wire draw encoders EcoLine

BCG13-P1BM0521



Model Name > **BCG13-P1BM0521**
Part No. > **1052619**



Illustration may differ

At a glance

- Measuring lengths of 1.25 m, 3 m, 5 m, and 10 m.
- Very small dimension (55 ... 190 mm)
- Modular system: encoder type, measuring length, and interface can be selected
- Programmable encoders: Resolution, interface and measuring range
- Light yet shock-proof and temperature-resistant plastic housing (Noryl)
- Space-saving and cost-effective design
- Analog interface with pushbutton teach at the encoder

Your benefits

- Easy to install thanks to pushbutton teach
- Suitable for tight installation spaces as a result of slim, compact design
- High precision due to the elimination of the coupling between the encoder and mechanism
- Wide range of applications thanks to the numerous encoders, interfaces, and measuring lengths
- The absolute analog output allows for the use of a cost-effective interface card
- Options for customization, such as programmability, reduce storage and downtime costs
- Greater vibration resistance thanks to the integration of the spring in the measuring drum



Performance

Measurement range:	0 m ... 5 m ¹⁾
Repeatability:	≤ 0.2 mm ¹⁾
Linearity:	≤ ± 2 mm ²⁾
Hysteresis:	≤ 0.4 mm ³⁾
Resolution (wire draw + encoder)::	0.05 mm ^{4) 5)}

^{1) 2) 3)} Value refers to wire draw mechanism ^{4) 5)}

Mechanical data

Mass (including encoder):	1.08 kg
Mass (mechanics):	800 g
Measuring wire diameter:	0.55 mm
Measuring wire material:	Highly flexible stranded steel 1.4401 stainless steel V4A
Housing material, wire draw mechanism:	Plastic, Noryl
Spring return force:	Ca. 4.5 N ... ca. 7 N ¹⁾

Life of wire draw mechanism:	1 million cycles ²⁾
Actual length of cable extension:	5.2 m
Wire acceleration:	4 m/s ²
Operating speed:	4 m/s
Mounted encoder:	A3M60
Mounted mechanic:	MRA-G130-105D3
Part number mechanic:	5322779
Part number encoder:	1051018
Mass (measuring wire):	1.2 g/m
Length of wire pulled out per revolution:	385 mm
Number of steps per revolution:	8,192

¹⁾ These values were measured at an ambient temperature of 25 °C. There may be variations at other temperatures. ²⁾

Electrical data

Initialization time:	Ca. 1 s ¹⁾
Supply voltage:	10 V ... 32 V
Power consumption:	1.5 W
MTTFd: mean time to dangerous failure::	60 a ^{2) 3)}

¹⁾ Valid positional data can be read once this time has elapsed. ²⁾ This product is a standard product and does not constitute a safety component as defined in the Machinery Directive.

Calculation based on nominal load of components, average ambient temperature 40°C, frequency of use 8760 h/a. All

electronic failures are considered hazardous. For more information, see document no. 8015532. ³⁾ The value applies to the mounted encoder

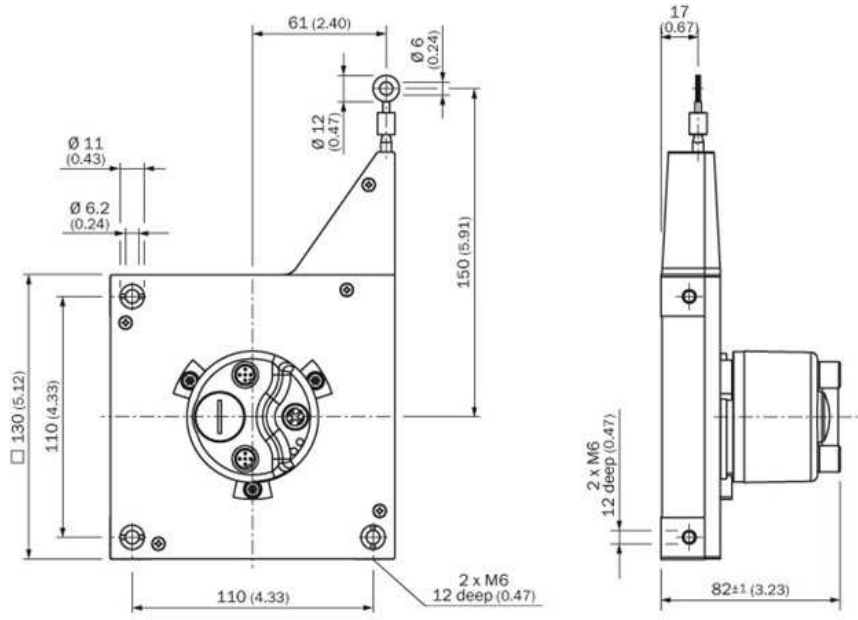
Interfaces

Electrical interface:	PROFIBUS
Connection type:	Connector 3 x M12, 5-pin, axial
Address setting:	0 ... 127, DIP switch
Protocol:	PROFIBUS DP V0
Bus termination:	Via DIP switches
SET (electronic adjustment):	Via PRESET push button or protocol
Encoder profile:	Encoder profile version 1.1 class 1 and class 2
Encoder:	Absolute encoders

Ambient data

EMC:	(according to EN 61000-6-2 and EN 61000-6-3)
Enclosure rating encoder:	IP 67
Enclosure rating mechanic:	IP 50
Resistance to shocks:	80 g, 6 ms (according to EN 60068-2-27)
Resistance to vibration:	30 g, 10 Hz ... 2,000 Hz (according to EN 60068-2-6)
Relative humidity/Condensation:	95 % (condensation of the optical scanning not permitted)
Working temperature range (encoder):	-10 °C ... +70 °C
Working temperature range (mechanics):	-30 °C ... +70 °C
Working temperature range (combination):	Wird definiert durch den höheren minimalen und niedrigeren maximalen Wert des Arbeitstemperaturbereichs von Encoder und Mechanik

Dimensional drawing



Australia

Phone +61 3 9457 0600
1800 33 48 02 – tollfree
E-Mail sales@sick.com.au

Belgium/Luxembourg

Phone +32 (0)2 466 55 66
E-Mail info@sick.be

Brasil

Phone +55 11 3215-4900
E-Mail marketing@sick.com.br

Canada

Phone +1 905 771 14 44
E-Mail information@sick.com

Česká republika

Phone +420 2 57 91 18 50
E-Mail sick@sick.cz

China

Phone +86 4000 121 000
E-Mail info.china@sick.net.cn
Phone +852-2153 6300
E-Mail ghk@sick.com.hk

Danmark

Phone +45 45 82 64 00
E-Mail sick@sick.dk

Deutschland

Phone +49 211 5301-301
E-Mail info@sick.de

España

Phone +34 93 480 31 00
E-Mail info@sick.es

France

Phone +33 1 64 62 35 00
E-Mail info@sick.fr

Great Britain

Phone +44 (0)1727 831121
E-Mail info@sick.co.uk

India

Phone +91-22-4033 8333
E-Mail info@sick-india.com

Israel

Phone +972-4-6881000
E-Mail info@sick-sensors.com

Italia

Phone +39 02 27 43 41
E-Mail info@sick.it

Japan

Phone +81 (0)3 5309 2112
E-Mail support@sick.jp

Magyarország

Phone +36 1 371 2680
E-Mail office@sick.hu

Nederland

Phone +31 (0)30 229 25 44
E-Mail info@sick.nl

Norge

Phone +47 67 81 50 00
E-Mail sick@sick.no

Österreich

Phone +43 (0)22 36 62 28 8-0
E-Mail office@sick.at

Polska

Phone +48 22 837 40 50
E-Mail info@sick.pl

România

Phone +40 356 171 120
E-Mail office@sick.ro

Russia

Phone +7-495-775-05-30
E-Mail info@sick.ru

Schweiz

Phone +41 41 619 29 39
E-Mail contact@sick.ch

Singapore

Phone +65 6744 3732
E-Mail sales.gsg@sick.com

Slovenija

Phone +386 (0)1-47 69 990
E-Mail office@sick.si

South Africa

Phone +27 11 472 3733
E-Mail info@sickautomation.co.za

South Korea

Phone +82 2 786 6321/4
E-Mail info@sickkorea.net

Suomi

Phone +358-9-25 15 800
E-Mail sick@sick.fi

Sverige

Phone +46 10 110 10 00
E-Mail info@sick.se

Taiwan

Phone +886 2 2375-6288
E-Mail sales@sick.com.tw

Türkiye

Phone +90 (216) 528 50 00
E-Mail info@sick.com.tr

United Arab Emirates

Phone +971 (0) 4 88 65 878
E-Mail info@sick.ae

USA/México

Phone +1(952) 941-6780
1 (800) 325-7425 – tollfree
E-Mail info@sickusa.com

More representatives and agencies
at www.sick.com