



Photoelectric sensors
Photoelectric retro-reflective sensor, Global
Sensor G6

GL6-P0511S02



Model Name > [GL6-P0511S02](#)
Part No. > [1052633](#)



The product has been discontinued. Please follow the "replacement product" link for information about alternative products.

Product features

Sensing range min ... max::	0.03 m ... 7.2 m
Light source::	PinPoint LED
Type of light:	Red light
Light spot diameter:	8 mm at 350 mm distance
Laser:	Red light
Sensing range max.:	0.03 m ... 7.2 m
Relating to:	Reflector PL80A
Wave length:	680 nm

Technical data

Dimensions (W x H x D):	12 mm x 31.5 mm x 21 mm
Supply voltage min ... max::	DC 12 ... 24 V ¹⁾
Ripple:	± 10 %
Power consumption:	≤ 30 mA
Output type:	PNP, Q
Switching mode:	Light switching
Output current max.:	≤ 100 mA ²⁾
Response time::	< 625 µs
Switching frequency:	1 kHz
Connection type:	Cable with connector, M8, 3-pin, 200 mm
Number of cores:	4
Circuit protection:	In-/outputs short-circuit protected/Outputs short circuit protected, Vs reverse polarity protected/Outputs overcurrent and short-circuit protected
Enclosure rating::	IP 67
Ambient operation temperature, min ... max::	-25 °C ... +55 °C
Ambient storage temperature, min ... max:	-40 °C ... +70 °C
Weight:	Ca. 60 g
Housing material:	ABS/PC
Series:	G6
Optics material:	PMMA
Front screen heating:	-
Polarisation filter:	✓

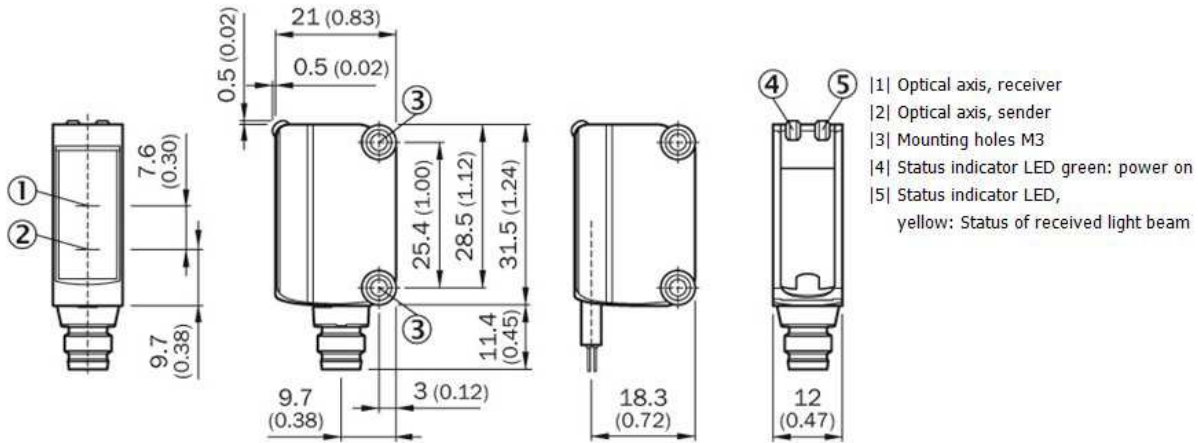
Signal voltage PNP HIGH/LOW:

> Vs - 3 V / approx. 0 V

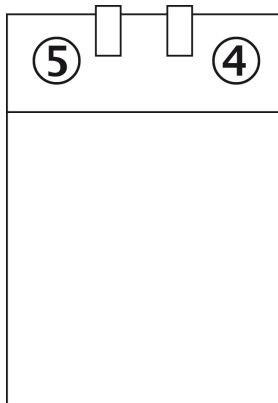
1) Limit values, operation in short-circuit protected network max. 8 A, 30 V at max output current of 50 mA and 55 °C possible and 55°C possible

2) 30 V at max output current of 50 mA

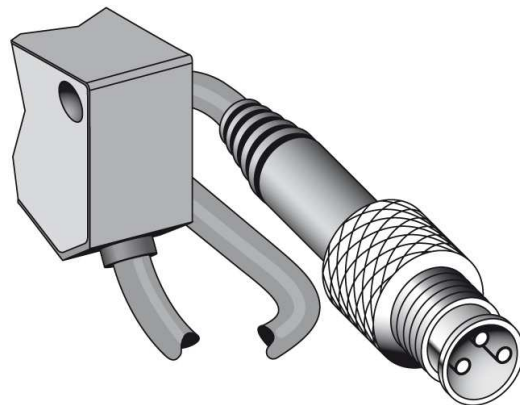
Masszeichnung



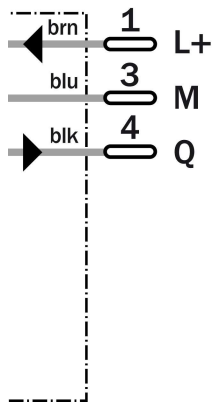
Einstell-Möglichkeiten



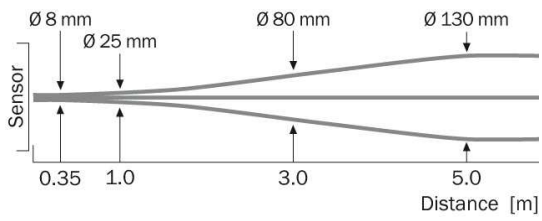
Anschlussart



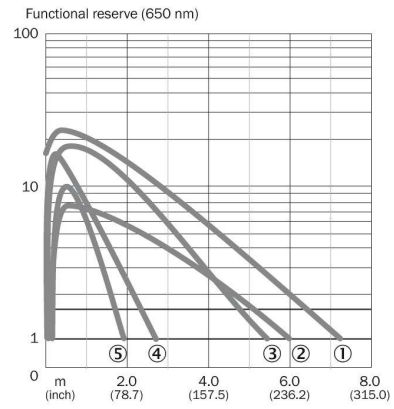
Anschluss-Schema



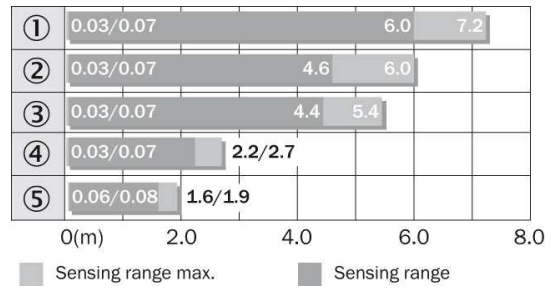
Light spot diameter



% der Tastweite



Schaltabstand-Diagramm



Australia

Phone +61 3 9457 0600
1800 33 48 02 – tollfree
E-Mail sales@sick.com.au

Belgium/Luxembourg

Phone +32 (0)2 466 55 66
E-Mail info@sick.be

Brasil

Phone +55 11 3215-4900
E-Mail marketing@sick.com.br

Canada

Phone +1 905 771 14 44
E-Mail information@sick.com

Česká republika

Phone +420 2 57 91 18 50
E-Mail sick@sick.cz

China

Phone +86 4000 121 000
E-Mail info.china@sick.net.cn
Phone +852-2153 6300
E-Mail ghk@sick.com.hk

Danmark

Phone +45 45 82 64 00
E-Mail sick@sick.dk

Deutschland

Phone +49 211 5301-301
E-Mail info@sick.de

España

Phone +34 93 480 31 00
E-Mail info@sick.es

France

Phone +33 1 64 62 35 00
E-Mail info@sick.fr

Great Britain

Phone +44 (0)1727 831121
E-Mail info@sick.co.uk

India

Phone +91-22-4033 8333
E-Mail info@sick-india.com

Israel

Phone +972-4-6881000
E-Mail info@sick-sensors.com

Italia

Phone +39 02 27 43 41
E-Mail info@sick.it

Japan

Phone +81 (0)3 5309 2112
E-Mail support@sick.jp

Magyarország

Phone +36 1 371 2680
E-Mail office@sick.hu

Nederland

Phone +31 (0)30 229 25 44
E-Mail info@sick.nl

Norge

Phone +47 67 81 50 00
E-Mail sick@sick.no

Österreich

Phone +43 (0)22 36 62 28 8-0
E-Mail office@sick.at

Polska

Phone +48 22 837 40 50
E-Mail info@sick.pl

România

Phone +40 356 171 120
E-Mail office@sick.ro

Russia

Phone +7-495-775-05-30
E-Mail info@sick.ru

Schweiz

Phone +41 41 619 29 39
E-Mail contact@sick.ch

Singapore

Phone +65 6744 3732
E-Mail sales.gsg@sick.com

Slovenija

Phone +386 (0)1-47 69 990
E-Mail office@sick.si

South Africa

Phone +27 11 472 3733
E-Mail info@sickautomation.co.za

South Korea

Phone +82 2 786 6321/4
E-Mail info@sickkorea.net

Suomi

Phone +358-9-25 15 800
E-Mail sick@sick.fi

Sverige

Phone +46 10 110 10 00
E-Mail info@sick.se

Taiwan

Phone +886 2 2375-6288
E-Mail sales@sick.com.tw

Türkiye

Phone +90 (216) 528 50 00
E-Mail info@sick.com.tr

United Arab Emirates

Phone +971 (0) 4 88 65 878
E-Mail info@sick.ae

USA/México

Phone +1(952) 941-6780
1 (800) 325-7425 – tollfree
E-Mail info@sickusa.com

More representatives and agencies
at www.sick.com