



Motor feedback systems rotary HIPERFACE® SEK/SEL34

SEL34-HFB0K02



Model Name > SEL34-HFB0K02
Part No. > 1053403



Illustration may differ

At a glance

- Motor feedback system for basic performance level
- Special design for motors with 40 mm square
- 16 sine/cosine periods per revolution
- Absolute position with a resolution of 512 increments per revolution and 4,096 revolutions with the multiturn system
- Programming of the position value
- Electronic type label
- HIPERFACE® interface
- Conform to RoHs

Your benefits

- The small dimension allows manufacturers of low-power and minimalpower motors to considerably reduce the size of their motors
- The SEK/SEL34 motor feedback systems are excellently suited for use under rough environmental conditions
- The capacitive principle of measurement with holistic scanning allows for high axial and radial tolerances



Performance

Number of sine/cosine periods per revolution:	16
Number of the absolute ascertainable revolutions:	4,096
Measuring step:	20 " At interpolation of the sine/cosine signals with e.g. 12 Bit
Integral non-linearity typ.:	± 288 (Error limits for evaluating sine/cosine period) typical values at nominal position ± 0,1 mm and + 20 °C
Differential non-linearity:	± 144 (Error limits for evaluating sine/cosine period) typical values at nominal position ± 0.1 mm und +20 °C
Operating speed:	6,000 /min, up to which the absolute position can be reliably produced
Available memory area:	1,792 Byte (EEPROM 2048) ¹⁾
Maximum number of steps per revolution:	2,097,152 Via RS485

¹⁾ If applying the electronic type label, in connection with numeric controllers, attention should be paid to Patent EP 425 912 B 2, application of the electronic type label in connection with speed regulation ist exempt.

Mechanical data

Mass:	0.04 kg
Moment of inertia of the rotor:	1 gcm ²
Maximum operating speed:	12,000 /min

Maximum angular acceleration:	500,000 rad/s ²
Connection type:	Connector, 8-pin, radial
Permissible axial shaft movement:	± 0.3 mm
Shaft version:	Tapered shaft
Permissible radial shaft movement:	± 0.15 mm

Electrical data

Electrical interface:	HIPERFACE
Operating voltage range/supply Voltage:	7 V ... 12 V DC
Recommended supply voltage:	8 V DC
Operating power consumption (no load):	< 50 mA

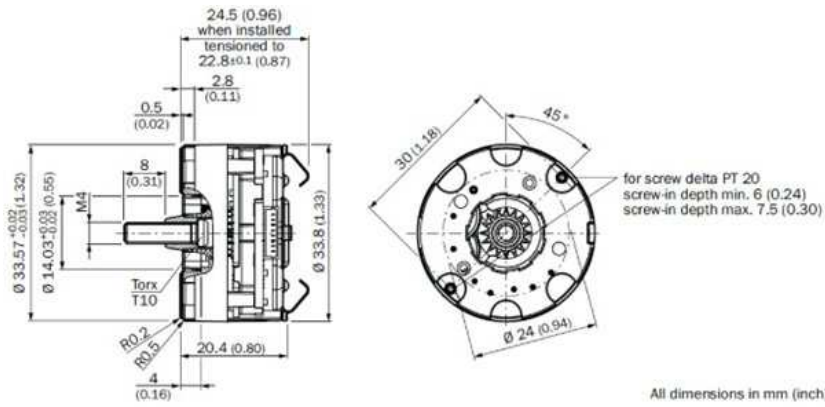
Interfaces

Type of code for the absolute value:	Binary
Code sequence:	For clockwise shaft rotation, looking in direction "A" (see dimensional drawing)
Interface signals:	Process data channel = SIN, REFSIN, COS, REFCOS analogue, differential: Parameter channel = RS 485 digital

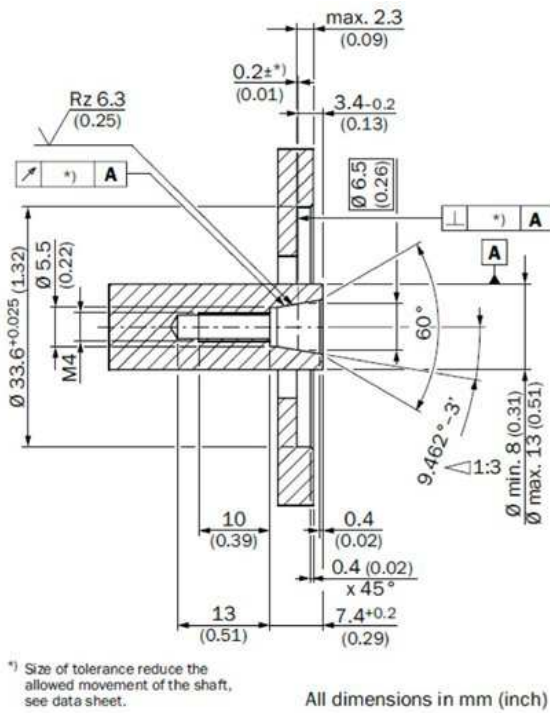
Ambient data

Working temperature range:	-20 °C ... 115 °C
Storage temperature range:	-50 °C ... 125 °C, without package
Relative humidity/Condensation:	90 %, Condensation not permitted
Resistance to shocks:	100 g, 10 ms (EN 60068-2-27)
Resistance to vibration:	50 g, 10 Hz ... 2,000 Hz (EN 60068-2-6)
EMC:	According to EN 61000-6-2 and EN 61000-6-3
Enclosure rating:	IP 20, IEC 60529, built-on version, with mating connector inserted and closed cover

Dimensional drawing



Proposed fitting



Australia

Phone +61 3 9457 0600
1800 33 48 02 – tollfree
E-Mail sales@sick.com.au

Belgium/Luxembourg

Phone +32 (0)2 466 55 66
E-Mail info@sick.be

Brasil

Phone +55 11 3215-4900
E-Mail marketing@sick.com.br

Canada

Phone +1 905 771 14 44
E-Mail information@sick.com

Česká republika

Phone +420 2 57 91 18 50
E-Mail sick@sick.cz

China

Phone +86 4000 121 000
E-Mail info.china@sick.net.cn
Phone +852-2153 6300
E-Mail ghk@sick.com.hk

Danmark

Phone +45 45 82 64 00
E-Mail sick@sick.dk

Deutschland

Phone +49 211 5301-301
E-Mail info@sick.de

España

Phone +34 93 480 31 00
E-Mail info@sick.es

France

Phone +33 1 64 62 35 00
E-Mail info@sick.fr

Great Britain

Phone +44 (0)1727 831121
E-Mail info@sick.co.uk

India

Phone +91-22-4033 8333
E-Mail info@sick-india.com

Israel

Phone +972-4-6881000
E-Mail info@sick-sensors.com

Italia

Phone +39 02 27 43 41
E-Mail info@sick.it

Japan

Phone +81 (0)3 5309 2112
E-Mail support@sick.jp

Magyarország

Phone +36 1 371 2680
E-Mail office@sick.hu

Nederland

Phone +31 (0)30 229 25 44
E-Mail info@sick.nl

Norge

Phone +47 67 81 50 00
E-Mail sick@sick.no

Österreich

Phone +43 (0)22 36 62 28 8-0
E-Mail office@sick.at

Polska

Phone +48 22 837 40 50
E-Mail info@sick.pl

România

Phone +40 356 171 120
E-Mail office@sick.ro

Russia

Phone +7-495-775-05-30
E-Mail info@sick.ru

Schweiz

Phone +41 41 619 29 39
E-Mail contact@sick.ch

Singapore

Phone +65 6744 3732
E-Mail sales.gsg@sick.com

Slovenija

Phone +386 (0)1-47 69 990
E-Mail office@sick.si

South Africa

Phone +27 11 472 3733
E-Mail info@sickautomation.co.za

South Korea

Phone +82 2 786 6321/4
E-Mail info@sickkorea.net

Suomi

Phone +358-9-25 15 800
E-Mail sick@sick.fi

Sverige

Phone +46 10 110 10 00
E-Mail info@sick.se

Taiwan

Phone +886 2 2375-6288
E-Mail sales@sick.com.tw

Türkiye

Phone +90 (216) 528 50 00
E-Mail info@sick.com.tr

United Arab Emirates

Phone +971 (0) 4 88 65 878
E-Mail info@sick.ae

USA/México

Phone +1(952) 941-6780
1 (800) 325-7425 – tollfree
E-Mail info@sickusa.com

More representatives and agencies
at www.sick.com