



Switching automation light grids VLC100

VLC100-0201000



Model Name > [VLC100-0201000](#)
Part No. > [1054540](#)



At a glance

- Sensing range up to 2.8 m
- Resolution 6 mm up to 18 mm
- One device only: integrated sender and receiver
- Intuitive one-button operation
- Automatic alignment
- Synchronization of 2 systems
- Easy teach-in function

Your benefits

- Flexible and individual design of detection area
- Quick commissioning without additional software
- Intuitive, time-saving operation
- No variants: one device concept for all detection areas
- Reduced storage, shipping and commissioning costs
- No expert knowledge required
- High reliability and simple maintenance



Features

Technology:	Camera system
Task:	Switching camera system
Minimum detectable object (MDO) ¹⁾ :	6 mm ... 18 mm

¹⁾ Dependence of the range

Performance

Minimum range:	≥400 mm
Working range:	2 m x 2 m
Response time ¹⁾ :	≥ 20 ms

¹⁾ With resistive load

Interfaces

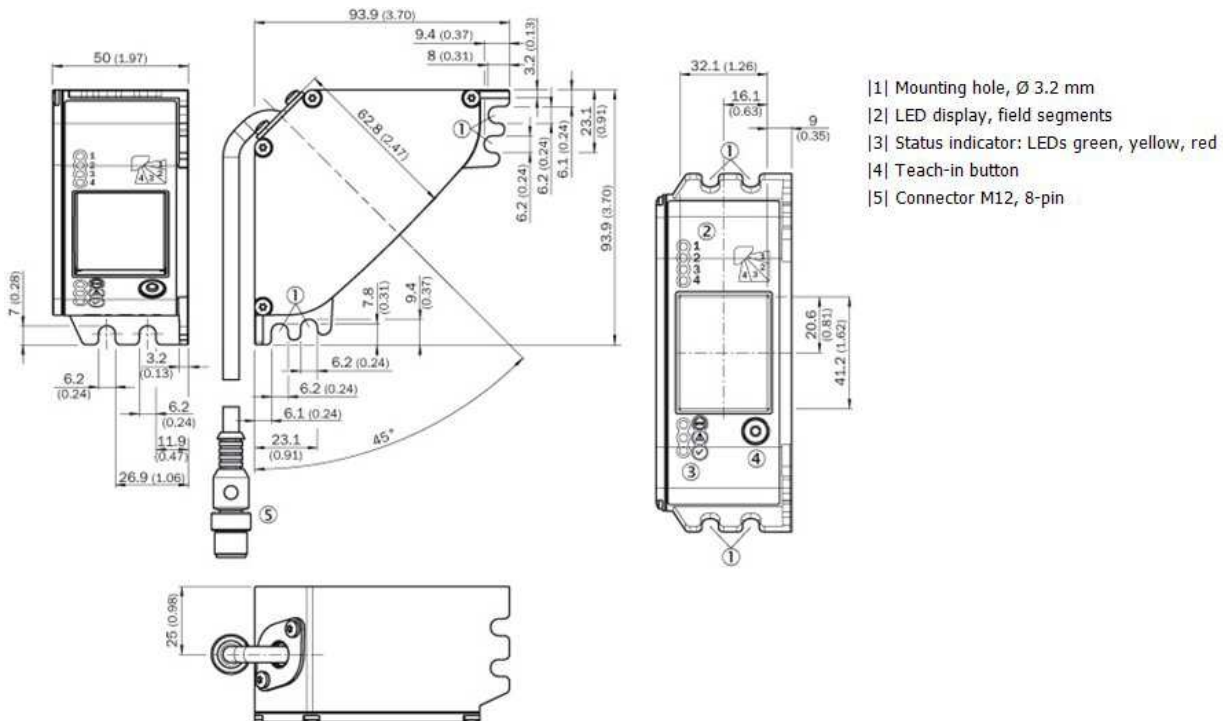
Output type:	2 x PNP
Connection type:	Short cable (0.39 m) with connector M12, 8-pin
Inputs:	Teach input

Mechanics/electronics

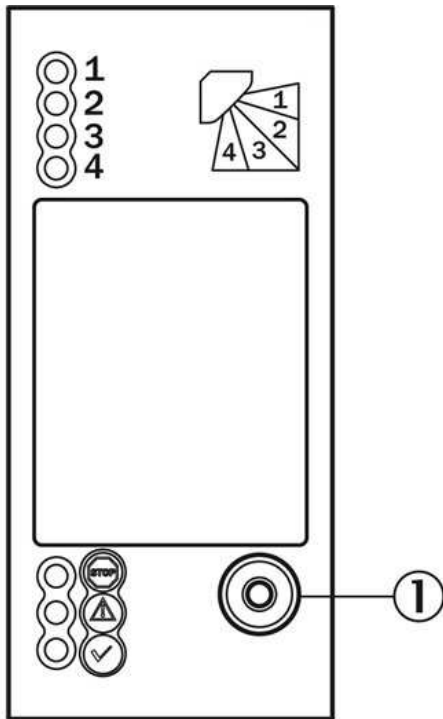
Wave length:	850 nm
Supply voltage V_s ¹⁾ :	DC \geq 24 V
Ripple:	\pm 5 %
Output load capacitive:	2.2 μ F
Output load inductive:	2.2 H
Initialization time:	6 s
Dimensions (W x H x D):	90 mm x 50 mm x 90 mm
Housing material:	Aluminum
Indication:	4 x LED
Enclosure rating:	IP 54
Circuit protection:	Output Q short-circuit protected Interference suppression VS connections reverse-polarity protected
Weight:	355 g
Front screen:	Glass
Output mode ²⁾ :	Q, /Q

1) Typical value ²⁾ /Q = active in case all beams are free

Dimensional drawing

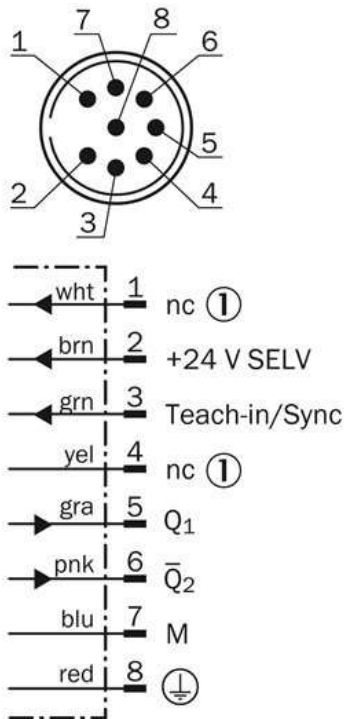


Adjustments



|1| Teach-in button

Connection type and diagram



|1| not connected

Australia

Phone +61 3 9457 0600
1800 33 48 02 – tollfree
E-Mail sales@sick.com.au

Belgium/Luxembourg

Phone +32 (0)2 466 55 66
E-Mail info@sick.be

Brasil

Phone +55 11 3215-4900
E-Mail marketing@sick.com.br

Canada

Phone +1 905 771 14 44
E-Mail information@sick.com

Česká republika

Phone +420 2 57 91 18 50
E-Mail sick@sick.cz

China

Phone +86 4000 121 000
E-Mail info.china@sick.net.cn
Phone +852-2153 6300
E-Mail ghk@sick.com.hk

Danmark

Phone +45 45 82 64 00
E-Mail sick@sick.dk

Deutschland

Phone +49 211 5301-301
E-Mail info@sick.de

España

Phone +34 93 480 31 00
E-Mail info@sick.es

France

Phone +33 1 64 62 35 00
E-Mail info@sick.fr

Great Britain

Phone +44 (0)1727 831121
E-Mail info@sick.co.uk

India

Phone +91-22-4033 8333
E-Mail info@sick-india.com

Israel

Phone +972-4-6881000
E-Mail info@sick-sensors.com

Italia

Phone +39 02 27 43 41
E-Mail info@sick.it

Japan

Phone +81 (0)3 5309 2112
E-Mail support@sick.jp

Magyarország

Phone +36 1 371 2680
E-Mail office@sick.hu

Nederland

Phone +31 (0)30 229 25 44
E-Mail info@sick.nl

Norge

Phone +47 67 81 50 00
E-Mail sick@sick.no

Österreich

Phone +43 (0)22 36 62 28 8-0
E-Mail office@sick.at

Polska

Phone +48 22 837 40 50
E-Mail info@sick.pl

România

Phone +40 356 171 120
E-Mail office@sick.ro

Russia

Phone +7-495-775-05-30
E-Mail info@sick.ru

Schweiz

Phone +41 41 619 29 39
E-Mail contact@sick.ch

Singapore

Phone +65 6744 3732
E-Mail sales.gsg@sick.com

Slovenija

Phone +386 (0)1-47 69 990
E-Mail office@sick.si

South Africa

Phone +27 11 472 3733
E-Mail info@sickautomation.co.za

South Korea

Phone +82 2 786 6321/4
E-Mail info@sickkorea.net

Suomi

Phone +358-9-25 15 800
E-Mail sick@sick.fi

Sverige

Phone +46 10 110 10 00
E-Mail info@sick.se

Taiwan

Phone +886 2 2375-6288
E-Mail sales@sick.com.tw

Türkiye

Phone +90 (216) 528 50 00
E-Mail info@sick.com.tr

United Arab Emirates

Phone +971 (0) 4 88 65 878
E-Mail info@sick.ae

USA/México

Phone +1(952) 941-6780
1 (800) 325-7425 – tollfree
E-Mail info@sickusa.com

More representatives and agencies
at www.sick.com