



## RFID RFH6xx / RFH630 / Mid Range

RFH630-1000001



**Model Name** > [RFH630-1000001](#)  
**Part No.** > [1054747](#)



**At a glance**

- 13.56 MHz RFID write/read device for ranges up to 240 mm
- Transponder communication according to ISO/IEC 15693 standard
- Compact, industrial design with integrated antenna
- Embedded protocols allow interfacing with standard industrial fieldbus technologies
- Powerful micro-processor executes internally configurable logic
- Flexible trigger control
- Supports parameter cloning via microSD memory card
- Built-in diagnostics

**Your benefits**

- Reliable identification ensures maximum throughput
- Adapts to changing needs, ensures investment over the long term
- Simple integration saves installation time
- A wide range of functionality ensures flexible solutions
- Maintenance-free
- Uses same connectivity and configuration software as SICK's bar code scanners and image-based code readers - compatible through standardized 4Dpro platform



**Features**

Product category:	Write/read device with integrated antenna
Frequency band:	HF (13.56 MHz)
Carrier frequency:	13.56 MHz
Version:	Mid Range
Output power:	1,000 mW
RFID standard:	ISO/IEC 15693, ISO 18000-3 Mode 1
Scanning range:	Max. 240 mm <sup>1)</sup>
Antenna:	Integrated
Further functions:	Cloning function (microSD memory card or system), Diagnosis, Updatable firmware, Freely programmable data output format, Heartbeat, Triggering
Data transmission rate:	26 kbit/s (default)
Typical access times:	Read 1 block (32 bit/4 Byte): 13 ms Write 1 block (32 bit/4 Byte): 16 ms Read 28 blocks (896 bit/112 Byte): 64 ms Write 28 blocks (896 bit/112 Byte): 442 ms Read UID (64 bit/8 Byte): 18 ms

Radio approval: Global (EN 300330-2 V1.5.1) (FCC Part 15)

Connection type: Cable

1) With RFID ISO card transponder in plane parallel alignment to read/write device antenna; depending on dimensions and quality of transponder

## Interfaces

---

Serial (RS-232, RS-422):	✓
Data transmission rate (Serial (RS-232, RS-422)):	0.3 kBaud ... 500 kBaud
Ethernet:	-
Protocol (Ethernet):	PROFINET (optional via external connection module CDF600-2), EtherCAT (optional via external connection module CDF600)
CAN bus:	✓
Data transmission rate (CAN bus):	20 kbit/s ... 1,000 kbit/s
Protocol (CAN bus):	CANopen, CSN (SICK CAN Sensor Network)
PROFIBUS DP:	✓
Remark (PROFIBUS DP):	Optional via external connection module (CDF600-2)
DeviceNet:	✓
Remark (DeviceNet):	Optional available externally
Switching inputs:	4 ("Sensor 1", "Sensor 2", 2 inputs via optional parameter storage CMC600 in CDB620/CDM420)
Switching outputs:	4 ("Result 1", "Result 2", 2 outputs via optional parameter storage CMC600 in CDB620/CDM420)
Optical indicators:	7 LEDs (feedback LED, status displaysReady, Result, RF, Data, CAN, LNK TX)
Acoustic indicators:	1 beeper (to confirm reading, adjustable)
Configuration software:	SOPAS ET

## Mechanics/electronics

---

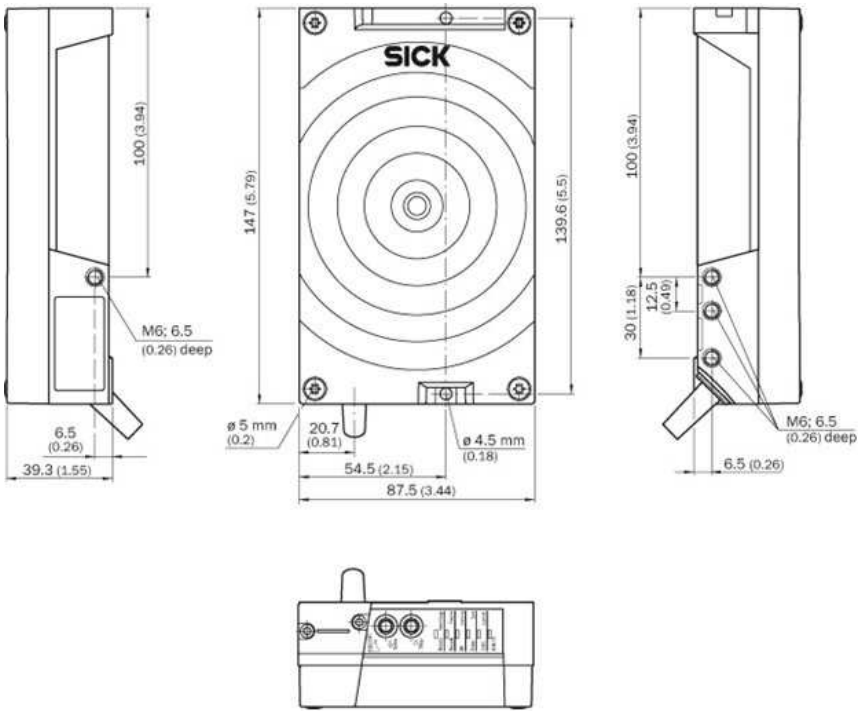
Electrical connection:	1 x Cable with 15-pin D-sub HD male connector
Operating voltage:	10 V DC ... 30 V DC
Power consumption:	Typ. 8 W
Housing color:	Blue, black
Enclosure rating:	IP 67
Protection class:	III
Weight:	760 g, with connecting cable
Dimensions:	147 mm x 88 mm x 39 mm

## Ambient data

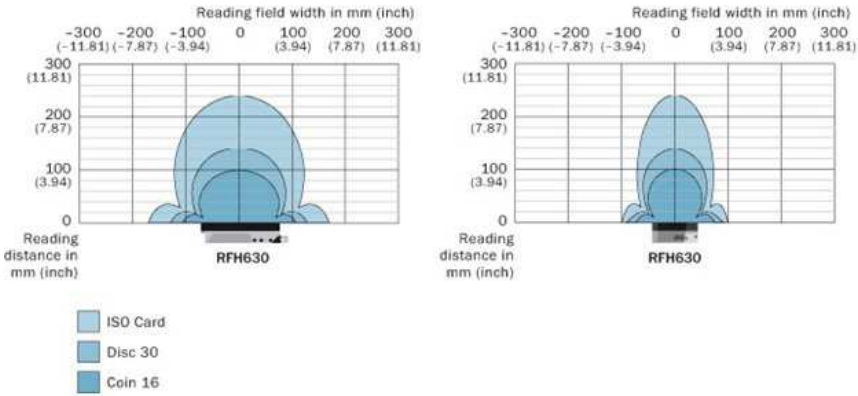
---

Electromagnetic compatibility (EMC):	EN 301489-3 V1.4.1 Receiver Class 2
Vibration resistance:	EN 60068-2-6
Shock resistance:	EN 60068-2-27
Ambient operating temperature:	-20 °C ... +50 °C
Storage temperature:	-25 °C ... +70 °C
Permissible relative humidity:	95 %, non-condensing

**Dimensional drawing**



**Reading field diagram**



**Australia**

Phone +61 3 9457 0600  
1800 33 48 02 – tollfree  
E-Mail sales@sick.com.au

**Belgium/Luxembourg**

Phone +32 (0)2 466 55 66  
E-Mail info@sick.be

**Brasil**

Phone +55 11 3215-4900  
E-Mail marketing@sick.com.br

**Canada**

Phone +1 905 771 14 44  
E-Mail information@sick.com

**Česká republika**

Phone +420 2 57 91 18 50  
E-Mail sick@sick.cz

**China**

Phone +86 4000 121 000  
E-Mail info.china@sick.net.cn  
Phone +852-2153 6300  
E-Mail ghk@sick.com.hk

**Danmark**

Phone +45 45 82 64 00  
E-Mail sick@sick.dk

**Deutschland**

Phone +49 211 5301-301  
E-Mail info@sick.de

**España**

Phone +34 93 480 31 00  
E-Mail info@sick.es

**France**

Phone +33 1 64 62 35 00  
E-Mail info@sick.fr

**Great Britain**

Phone +44 (0)1727 831121  
E-Mail info@sick.co.uk

**India**

Phone +91-22-4033 8333  
E-Mail info@sick-india.com

**Israel**

Phone +972-4-6881000  
E-Mail info@sick-sensors.com

**Italia**

Phone +39 02 27 43 41  
E-Mail info@sick.it

**Japan**

Phone +81 (0)3 5309 2112  
E-Mail support@sick.jp

**Magyarország**

Phone +36 1 371 2680  
E-Mail office@sick.hu

**Nederland**

Phone +31 (0)30 229 25 44  
E-Mail info@sick.nl

**Norge**

Phone +47 67 81 50 00  
E-Mail sick@sick.no

**Österreich**

Phone +43 (0)22 36 62 28 8-0  
E-Mail office@sick.at

**Polska**

Phone +48 22 837 40 50  
E-Mail info@sick.pl

**România**

Phone +40 356 171 120  
E-Mail office@sick.ro

**Russia**

Phone +7-495-775-05-30  
E-Mail info@sick.ru

**Schweiz**

Phone +41 41 619 29 39  
E-Mail contact@sick.ch

**Singapore**

Phone +65 6744 3732  
E-Mail sales.gsg@sick.com

**Slovenija**

Phone +386 (0)1-47 69 990  
E-Mail office@sick.si

**South Africa**

Phone +27 11 472 3733  
E-Mail info@sickautomation.co.za

**South Korea**

Phone +82 2 786 6321/4  
E-Mail info@sickkorea.net

**Suomi**

Phone +358-9-25 15 800  
E-Mail sick@sick.fi

**Sverige**

Phone +46 10 110 10 00  
E-Mail info@sick.se

**Taiwan**

Phone +886 2 2375-6288  
E-Mail sales@sick.com.tw

**Türkiye**

Phone +90 (216) 528 50 00  
E-Mail info@sick.com.tr

**United Arab Emirates**

Phone +971 (0) 4 88 65 878  
E-Mail info@sick.ae

**USA/México**

Phone +1(952) 941-6780  
1 (800) 325-7425 – tollfree  
E-Mail info@sickusa.com

More representatives and agencies  
at [www.sick.com](http://www.sick.com)