



Inductive proximity sensors Rectangular housing, IQ10

IQ10-06NNSKT0S



Model Name > [IQ10-06NNSKT0S](#)
Part No. > [1055463](#)



At a glance

- Tough VISTALTM housing
- SICK-ASIC technology
- 270° status display with extra-bright LED
- Extended sensing range of up to 6 mm
- Hotmelt molding
- Withstands high installation and tightening torque
- IP 68 enclosure rating

Your benefits

- Best mechanical and electronic stability for extra-long service life
- Highest levels of process reliability for your application
- Long service life that reduce maintenance costs thanks to SICK's ASIC technology and rugged VISTALTM housing
- Precise detection and high sensor accuracy enable fast handling and assembly processes
- Space-saving integration in every application
- Increased levels of protection against shock and vibration reduce maintenance costs
- Quick viewing of sensor status from any position in the room reduces mounting time and commissioning
- Safe, fast mounting without any need for readjustment saves installation time and maintenance costs



Features

| | |
|---------------------------|------------------------------|
| Design: | Rectangular |
| Dimensions (W x H x D): | 10 mm x 16 mm x 28 mm |
| Sensing range Sn: | 6 mm |
| Assured sensing range Sa: | 4.86 mm |
| Installation type: | Non-flush |
| Switching frequency: | 2,000 Hz |
| Output type: | NPN |
| Output function: | NO |
| Electrical wiring: | DC 3-wire |
| Enclosure rating: | IP 67 ¹⁾ IP 68 |
| Connection type: | Connector M8, 3-pin |

1) According to EN 60529

Mechanics/electronics

| | |
|---------------------------------|-----------------------------------|
| Supply voltage: | 10 V DC ... 30 V DC |
| Ripple: | $\leq 10\%$ ¹⁾ |
| Voltage drop: | $\leq 3\text{ V}$ ²⁾ |
| Power consumption: | $\leq 20\text{ mA}$ ³⁾ |
| Time delay before availability: | $\leq 100\text{ ms}$ |
| Hysteresis: | 5 % ... 15 % |
| Repeatability: | $\leq 2\%$ ^{4) 5)} |
| Temperature drift (of Sr): | $\pm 10\%$ |
| EMC: | According to EN 60947-5-2 |
| Output current I _a : | $\leq 200\text{ mA}$ |
| Short-circuit protection: | ✓ |
| Reverse polarity protection: | ✓ |
| Power-up pulse protection: | ✓ |
| Shock and vibration resistance: | 30 g, 11 ms/10 ... 55 Hz, 1 mm |
| Ambient operating temperature: | -25 °C ... +75 °C |
| Housing material: | Plastic, VISTAL |
| Sensing face material: | Plastic, VISTAL |
| Tightening torque, max.: | $\leq 1\text{ Nm}$ |

1) Of V_S ²⁾ At I_a max ³⁾ Without load ⁴⁾ U_b and T_a constant ⁵⁾ Of Sr

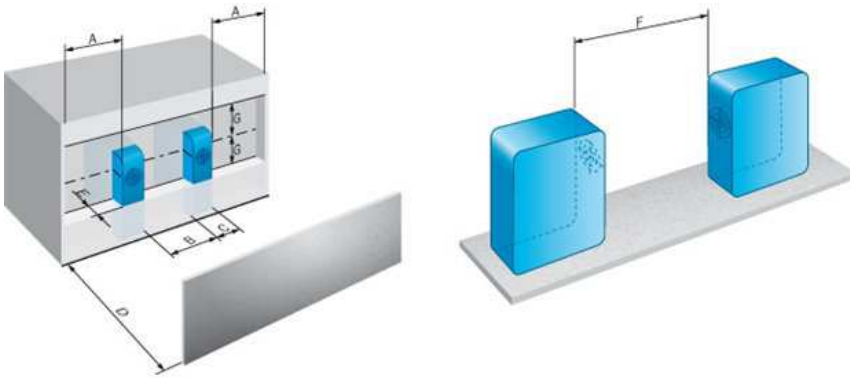
Reduction factors

| | |
|-----------------------------|------------------------------------------------|
| Note: | The values are reference values which may vary |
| Stainless steel (V2A, 304): | 0.75 |
| Copper (Cu): | 0.35 |
| Aluminum (Al): | 0.5 |
| Brass (Br): | 0.5 |

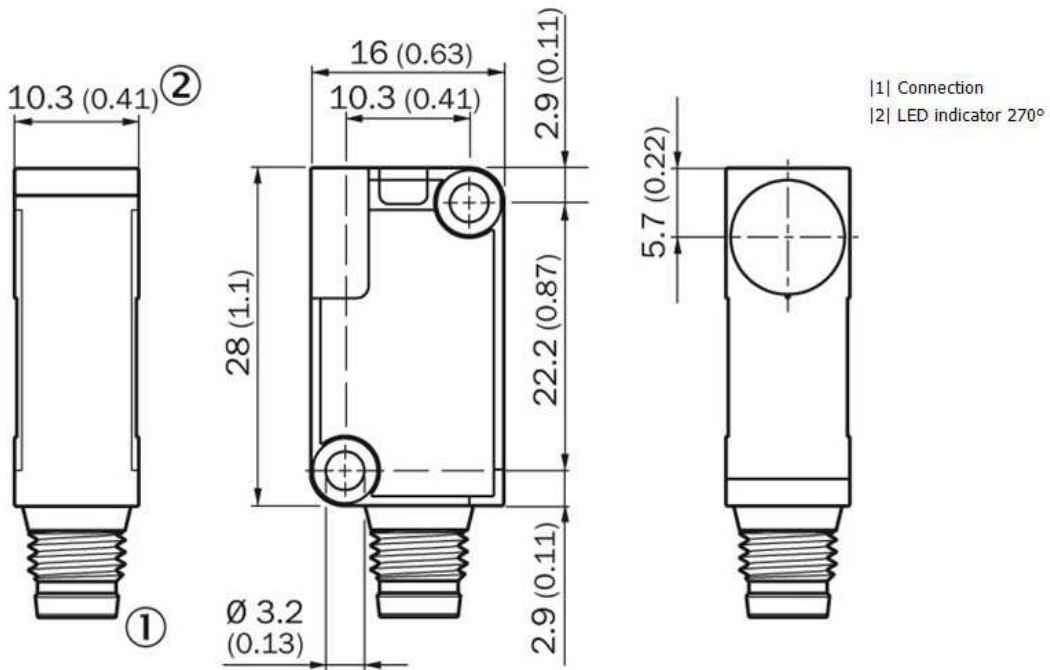
Installation note

| | |
|---------|---------------------------------------|
| A: | 7 mm |
| B: | 30 mm |
| C: | 10.3 mm |
| D: | 18 mm |
| E: | 8 mm |
| F: | 48 mm |
| G: | 12 mm |
| Remark: | Associated graphic see "Installation" |

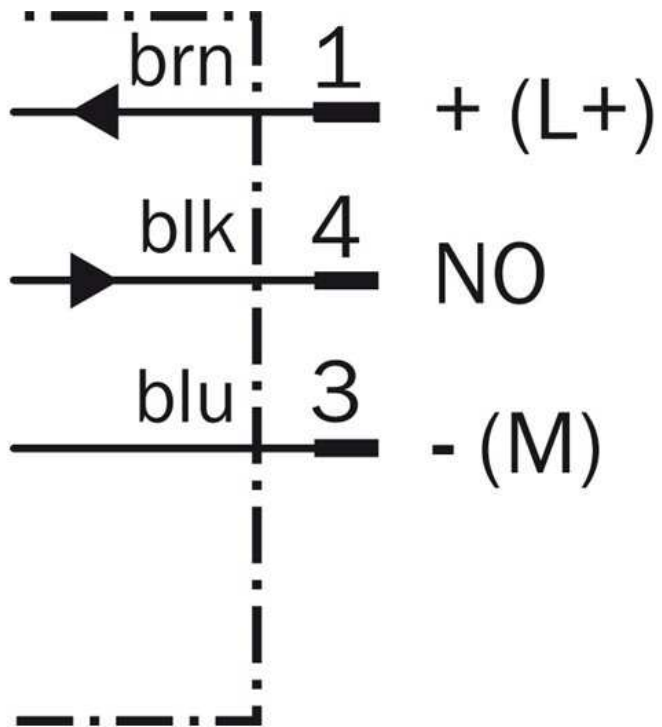
Installation note



Dimensional drawing



Connection diagram



Australia

Phone +61 3 9457 0600
1800 33 48 02 – tollfree
E-Mail sales@sick.com.au

Belgium/Luxembourg

Phone +32 (0)2 466 55 66
E-Mail info@sick.be

Brasil

Phone +55 11 3215-4900
E-Mail marketing@sick.com.br

Canada

Phone +1 905 771 14 44
E-Mail information@sick.com

Česká republika

Phone +420 2 57 91 18 50
E-Mail sick@sick.cz

China

Phone +86 4000 121 000
E-Mail info.china@sick.net.cn
Phone +852-2153 6300
E-Mail ghk@sick.com.hk

Danmark

Phone +45 45 82 64 00
E-Mail sick@sick.dk

Deutschland

Phone +49 211 5301-301
E-Mail info@sick.de

España

Phone +34 93 480 31 00
E-Mail info@sick.es

France

Phone +33 1 64 62 35 00
E-Mail info@sick.fr

Great Britain

Phone +44 (0)1727 831121
E-Mail info@sick.co.uk

India

Phone +91-22-4033 8333
E-Mail info@sick-india.com

Israel

Phone +972-4-6881000
E-Mail info@sick-sensors.com

Italia

Phone +39 02 27 43 41
E-Mail info@sick.it

Japan

Phone +81 (0)3 5309 2112
E-Mail support@sick.jp

Magyarország

Phone +36 1 371 2680
E-Mail office@sick.hu

Nederland

Phone +31 (0)30 229 25 44
E-Mail info@sick.nl

Norge

Phone +47 67 81 50 00
E-Mail sick@sick.no

Österreich

Phone +43 (0)22 36 62 28 8-0
E-Mail office@sick.at

Polska

Phone +48 22 837 40 50
E-Mail info@sick.pl

România

Phone +40 356 171 120
E-Mail office@sick.ro

Russia

Phone +7-495-775-05-30
E-Mail info@sick.ru

Schweiz

Phone +41 41 619 29 39
E-Mail contact@sick.ch

Singapore

Phone +65 6744 3732
E-Mail sales.gsg@sick.com

Slovenija

Phone +386 (0)1-47 69 990
E-Mail office@sick.si

South Africa

Phone +27 11 472 3733
E-Mail info@sickautomation.co.za

South Korea

Phone +82 2 786 6321/4
E-Mail info@sickkorea.net

Suomi

Phone +358-9-25 15 800
E-Mail sick@sick.fi

Sverige

Phone +46 10 110 10 00
E-Mail info@sick.se

Taiwan

Phone +886 2 2375-6288
E-Mail sales@sick.com.tw

Türkiye

Phone +90 (216) 528 50 00
E-Mail info@sick.com.tr

United Arab Emirates

Phone +971 (0) 4 88 65 878
E-Mail info@sick.ae

USA/México

Phone +1(952) 941-6780
1 (800) 325-7425 – tollfree
E-Mail info@sickusa.com

More representatives and agencies
at www.sick.com