



## Mid range distance sensors Dx35, DT35

DT35-B15551



**Model Name** > [DT35-B15551](#)  
**Part No.** > [1057651](#)

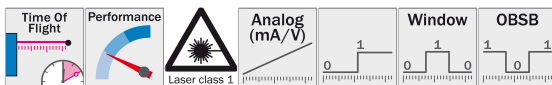


**At a glance**

- Maximum reliability, immunity to ambient light, and best price/performance ratio thanks to HDDM™ technology
- Reliable detection and broad measuring range of 0.05 m to 12 m
- Very good accuracy of ±10 mm
- Fast measurement with a output rate of down to 1 ms or 2 ms
- Small housing size
- IO-Link as well as analog and switching output
- Choice of infrared or red lasers in class 1 or class 2

**Your benefits**

- Precise and reliable measurement regardless of object color extends run time and process quality
- Optimum application solution thanks to flexible settings for speed, range and repeatability
- A small size and blind zone make flexible mounting possible when space is limited
- Many interfaces available in one device, reducing stock-keeping: 4 mA to 20 mA, 0 V to 10 V, PNP output, NPN output, and IO-Link
- Offering easy alignment, optimal performance or inconspicuous measurement, versatile light senders make it an ideal solution for all scenarios
- Low investment costs and high performance levels guarantee a quick return on investment
- A wide variety of control options ensures rapid commissioning and fast batch changes
- IO-Link offers full process control, from commissioning to service



**Performance**

Measurement range <sup>1), 2)</sup> :	50 mm ... 12,000 mm, 90 % remission 50 mm ... 3,100 mm, 6 % remission 50 mm ... 5,300 mm, 18 % remission
Resolution:	0.1 mm
Repeatability <sup>3), 4), 5)</sup> :	0.5 mm ... 5 mm
Accuracy <sup>6)</sup> :	Typ. ± 10 mm
Response time <sup>7), 8)</sup> :	4.5 ms/12.5 ms/24.5 ms/48.5 ms/192.5 ms
Switching frequency <sup>9), 10)</sup> :	166 Hz/50 Hz/25 Hz/12 Hz/3 Hz
Light source <sup>11)</sup> :	Laser, red
Typ. light spot size (distance):	15 mm x 15 mm (at 2 m)

Additional function:	Set speed: Super Fast ... Super Slow IO-Link Reset to factory default Output Q2, selectable: 4 mA ... 20 mA/0 V ... 10 V/switching output Multifunctional input: laser off/external teach/deactivated Switching mode: Distance to Object (DtO)/switching window/object between sensor and background (ObSB) Teach-in of analog output and invertible analog output Teach-in of switching output and switching output invertible
Laser class:	1 (EN 60825-1)
Laser service life (MTTF at 25 °C):	100,000 h
Output time <sup>12)</sup> , <sup>13)</sup> :	2 ms/4 ms/8 ms/16 ms/64 ms
<sup>1)</sup> For speed setting Slow <sup>2)</sup> <sup>4)</sup> See characteristic curves repeatability	<sup>3)</sup> Equivalent to 1 $\sigma$ <sup>5)</sup> <sup>6)</sup> 6 % ... 90 % remission <sup>7)</sup> <sup>9)</sup> <sup>13)</sup> Dependent on the set speed: Super
Fast ... Super Slow <sup>8)</sup> <sup>10)</sup> Lateral entry of object into measuring range	<sup>11)</sup> Wavelength: 658 nm; max. output: 250 mW; pulse duration: 3 ns; pulse repetition rate:
<sup>12)</sup> Continuous change of distance in measuring range.	

## Interfaces

Analog output <sup>1)</sup> :	1 x 4 mA ... 20 mA ( $\leq 450 \Omega$ )/1 x 0 V ... 10 V ( $\geq 50 \text{ k}\Omega$ )/-
Resolution analog output:	12 bit
Output type <sup>2)</sup> , <sup>3)</sup> , <sup>4)</sup> :	1 x/2 x push-pull: PNP/NPN (100 mA), IO-Link
Hysteresis <sup>5)</sup> :	0 mm ... 11,950 mm
Data interface:	IO-Link
Multifunctional input (MF) <sup>6)</sup> :	1 x
<sup>1)</sup> <sup>4)</sup> Output Q <sub>2</sub> , selectable: 4 mA ... 20 mA/0 V ... 10 V/switching output <sup>2)</sup> Output Q short-circuit protected <sup>3)</sup> Voltage drop < 3 V <sup>5)</sup> Adjustable via IO-Link <sup>6)</sup>	
Response time $\leq 60$ ms	

## Mechanics/electronics

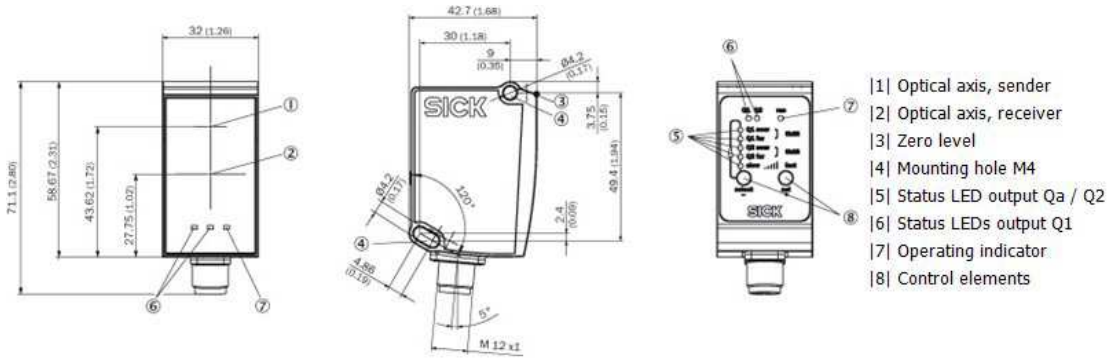
Supply voltage $V_s$ <sup>1)</sup> , <sup>2)</sup> :	DC 12 V ... 30 V
Ripple <sup>3)</sup> :	$\leq 5$ Vpp
Power consumption <sup>4)</sup> , <sup>5)</sup> :	$\leq 1.7$ W
Initialization time:	$\leq 500$ ms
Warm-up time:	$\leq 20$ min
Housing material:	Plastic (ABS and PC) acrylic glass (PMMA)
Connection type:	Male connector, M12, 5-pin
Indication:	LEDs
Weight:	65 g
<sup>1)</sup> Limit values, reverse-polarity protected, operation in short-circuit protected network: max. 8 A <sup>2)</sup> When using IO-Link output $V_s > 18$ V. When using analog voltage output $V_s > 13$ V. <sup>3)</sup> May not fall short of or exceed $V_s$ tolerances <sup>4)</sup> At 20 °C <sup>5)</sup> Without load	

## Ambient data

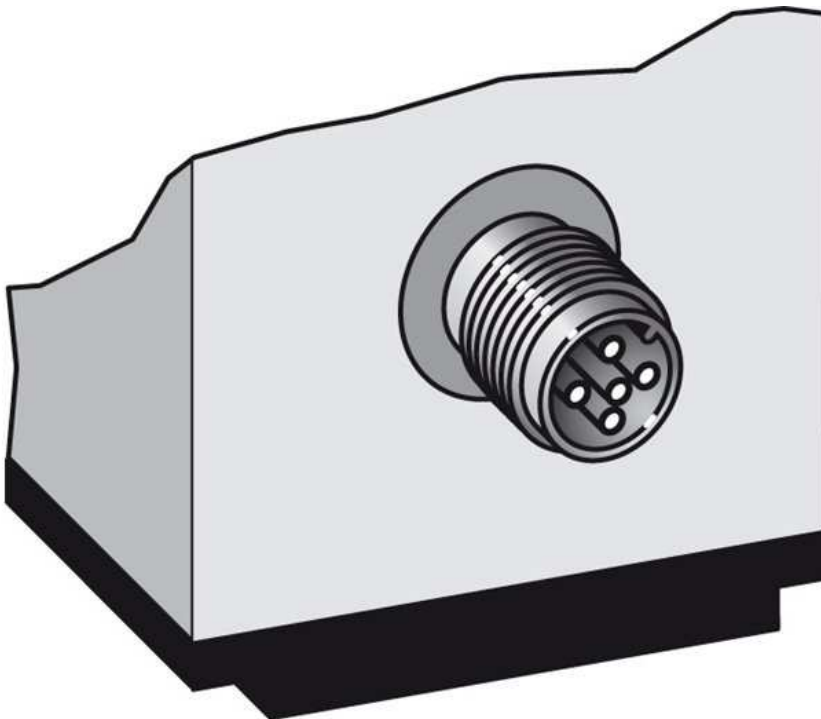
Enclosure rating:	IP 65, IP 67
Protection class:	III
Ambient temperature <sup>1)</sup> :	Operation: -30 ... +55 °C, Storage: -40 ... +75 °C
Vibration resistance:	EN 60068-2-6/EN 60068-2-64
Shock resistance:	EN 60068-2-27
Typ. ambient light safety:	40 klx

1)  $U_V \leq 24\text{ V}$

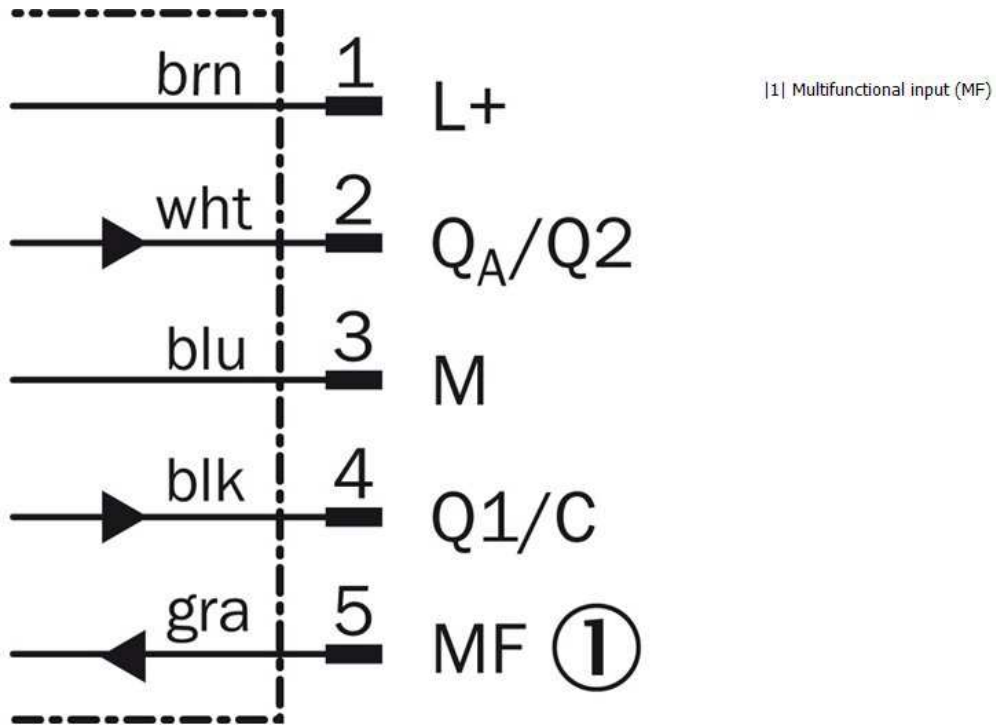
### Dimensional drawing



### Connection type

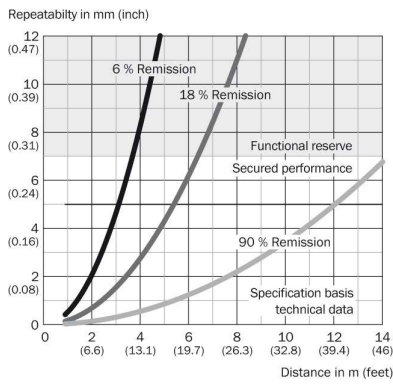


Connection diagram



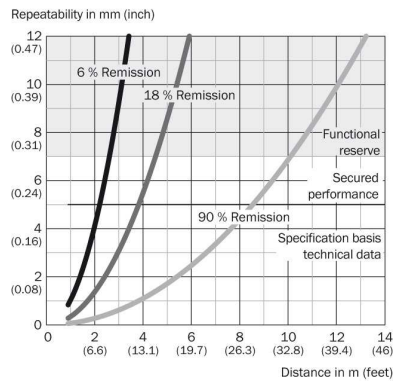
Characteristic curve 1) Super Slow

Super Slow



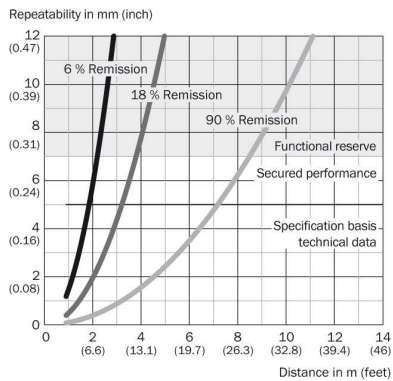
Characteristic curve 2) Slow

Slow



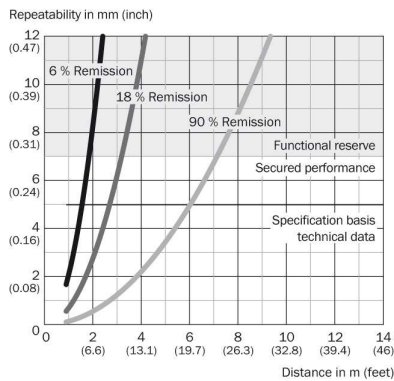
Characteristic curve 3) Medium

Medium



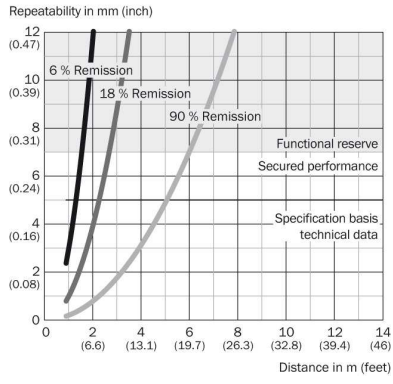
Characteristic curve 4) Fast

Fast



# Characteristic curve 5) Super Fast

## Super Fast



**Australia**

Phone +61 3 9457 0600  
1800 33 48 02 – tollfree  
E-Mail sales@sick.com.au

**Belgium/Luxembourg**

Phone +32 (0)2 466 55 66  
E-Mail info@sick.be

**Brasil**

Phone +55 11 3215-4900  
E-Mail marketing@sick.com.br

**Canada**

Phone +1 905 771 14 44  
E-Mail information@sick.com

**Česká republika**

Phone +420 2 57 91 18 50  
E-Mail sick@sick.cz

**China**

Phone +86 4000 121 000  
E-Mail info.china@sick.net.cn  
Phone +852-2153 6300  
E-Mail ghk@sick.com.hk

**Danmark**

Phone +45 45 82 64 00  
E-Mail sick@sick.dk

**Deutschland**

Phone +49 211 5301-301  
E-Mail info@sick.de

**España**

Phone +34 93 480 31 00  
E-Mail info@sick.es

**France**

Phone +33 1 64 62 35 00  
E-Mail info@sick.fr

**Great Britain**

Phone +44 (0)1727 831121  
E-Mail info@sick.co.uk

**India**

Phone +91-22-4033 8333  
E-Mail info@sick-india.com

**Israel**

Phone +972-4-6881000  
E-Mail info@sick-sensors.com

**Italia**

Phone +39 02 27 43 41  
E-Mail info@sick.it

**Japan**

Phone +81 (0)3 5309 2112  
E-Mail support@sick.jp

**Magyarország**

Phone +36 1 371 2680  
E-Mail office@sick.hu

**Nederland**

Phone +31 (0)30 229 25 44  
E-Mail info@sick.nl

**Norge**

Phone +47 67 81 50 00  
E-Mail sick@sick.no

**Österreich**

Phone +43 (0)22 36 62 28 8-0  
E-Mail office@sick.at

**Polska**

Phone +48 22 837 40 50  
E-Mail info@sick.pl

**România**

Phone +40 356 171 120  
E-Mail office@sick.ro

**Russia**

Phone +7-495-775-05-30  
E-Mail info@sick.ru

**Schweiz**

Phone +41 41 619 29 39  
E-Mail contact@sick.ch

**Singapore**

Phone +65 6744 3732  
E-Mail sales.gsg@sick.com

**Slovenija**

Phone +386 (0)1-47 69 990  
E-Mail office@sick.si

**South Africa**

Phone +27 11 472 3733  
E-Mail info@sickautomation.co.za

**South Korea**

Phone +82 2 786 6321/4  
E-Mail info@sickkorea.net

**Suomi**

Phone +358-9-25 15 800  
E-Mail sick@sick.fi

**Sverige**

Phone +46 10 110 10 00  
E-Mail info@sick.se

**Taiwan**

Phone +886 2 2375-6288  
E-Mail sales@sick.com.tw

**Türkiye**

Phone +90 (216) 528 50 00  
E-Mail info@sick.com.tr

**United Arab Emirates**

Phone +971 (0) 4 88 65 878  
E-Mail info@sick.ae

**USA/México**

Phone +1(952) 941-6780  
1 (800) 325-7425 – tollfree  
E-Mail info@sickusa.com

More representatives and agencies  
at [www.sick.com](http://www.sick.com)