



Mid range distance sensors Dx35, DR35

DR35-B15822



Model Name > [DR35-B15822](#)
Part No. > [1057660](#)



At a glance

- Maximum reliability, immunity to ambient light, and best price/performance ratio thanks to HDDM™ technology
- Large measuring range up to 35 m
- Great repeatability of 0.5 mm to 5 mm
- Fast detection with a switching frequency of up to 333 Hz
- Small housing size
- IO-Link as well as two switching outputs offering three switching modes
- Choice of infrared or red lasers in class 1

Your benefits

- Large measuring range up to 35 m in small housing sizes makes universal use and reduced inventory costs possible.
- Two switching outputs, each with three switching modes, provide a simple solution for demanding applications
- The high switching frequency of up to 333 Hz ensures rapid detection of position and increased throughput
- No cross talk when several sensors are being used simultaneously in a constricted space
- IO-Link offers full process control, from commissioning to service
- Reduced commissioning efforts and increased machine uptime thanks to excellent ambient light immunity
- Low investment costs and high performance levels guarantee a quick return on investment
- Offering easy alignment, optimal performance or inconspicuous detection, versatile light senders make it an ideal solution for all scenarios.



Performance

Measurement range ¹⁾ :	200 mm ... 35,000 mm, on reflective tape "Diamond Grade"
Resolution:	0.1 mm
Repeatability ²⁾ : ³⁾ : ⁴⁾ :	0.5 mm ... 5 mm
Accuracy ⁵⁾ :	Typ. ± 15 mm
Response time ⁶⁾ : ⁷⁾ :	2.5 ms/6.5 ms/12.5 ms/24.5 ms/96.5 ms
Switching frequency ⁸⁾ : ⁹⁾ :	333 Hz/100 Hz/50 Hz/25 Hz/6 Hz
Light source ¹⁰⁾ :	Laser, infrared
Typ. light spot size (distance):	15 mm x 15 mm (at 2 m)

Additional function:	Set speed: Super Fast ... Super Slow IO-Link Reset to factory default Switching mode: Distance to reflective tape (DtR)/switching window (Wnd)/object between sensor and background (ObSB) Multifunctional input: laser off/external teach/deactivated Teach-in of switching output and switching output invertible
Laser class:	1 (EN 60825-1)
Laser service life (MTTF at 25 °C):	100,000 h
Output time ¹¹⁾ : ¹²⁾ :	1 ms/2 ms/4 ms/8 ms/32 ms

¹⁾ See characteristic curves repeatability ²⁾ Equivalent to 1σ ^{3) 5)} On reflective tape "Diamond Grade" ⁴⁾ 6 % ... 90 % remission ^{6) 8) 12)} Dependent on the set speed: Super Fast ... Super Slow ^{7) 9)} Lateral entry of object into measuring range ¹⁰⁾ Wavelength: 827 nm; max. output: 130 mW; pulse duration: 3.5 ns; pulse repetition rate: 1/250 ¹¹⁾ Continuous change of distance in measuring range.

Interfaces

Output type ¹⁾ : ²⁾ : ³⁾ :	2 x push-pull: PNP/NPN (100 mA), IO-Link
Hysteresis ⁴⁾ :	0 mm ... 34,950 mm
Data interface:	IO-Link

Multifunctional input (MF) ⁵⁾: 1 x

¹⁾ Output Q short-circuit protected ²⁾ Voltage drop < 3 V ³⁾ Output Q₂, selectable: 4 mA ... 20 mA/0 V ... 10 V/switching output/Q₁ not/ deactivated ⁴⁾ Adjustable via IO-Link ⁵⁾ Response time ≤ 60 ms

Mechanics/electronics

Supply voltage V_s ¹⁾ : ²⁾ :	DC 12 V ... 30 V
Ripple ³⁾ :	≤ 5 Vpp
Power consumption ⁴⁾ : ⁵⁾ :	≤ 1.7 W
Initialization time:	≤ 500 ms
Warm-up time:	≤ 20 min
Housing material:	Plastic (ABS and PC) acrylic glass (PMMA)
Connection type:	Male connector, M12, 5-pin
Indication:	LEDs
Weight:	65 g

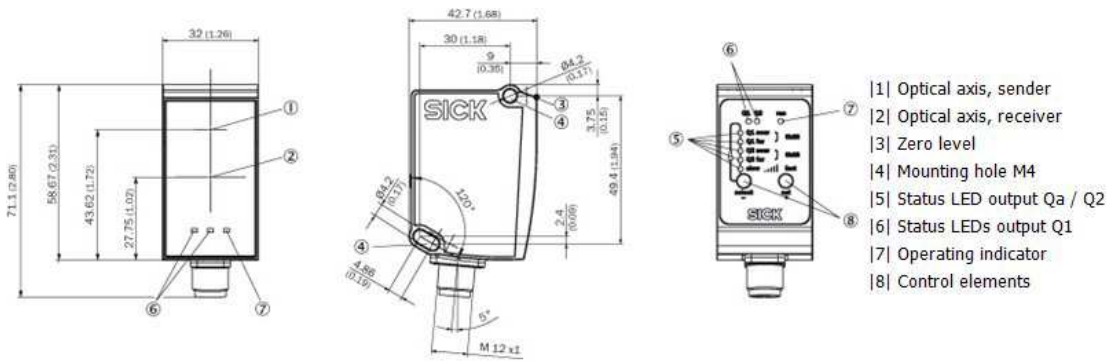
¹⁾ Limit values, reverse-polarity protected, operation in short-circuit protected network: max. 8 A ²⁾ When using IO-Link output $V_s > 18$ V. ³⁾ May not fall short of or exceed V_s tolerances ⁴⁾ At 20°C ⁵⁾ Without load

Ambient data

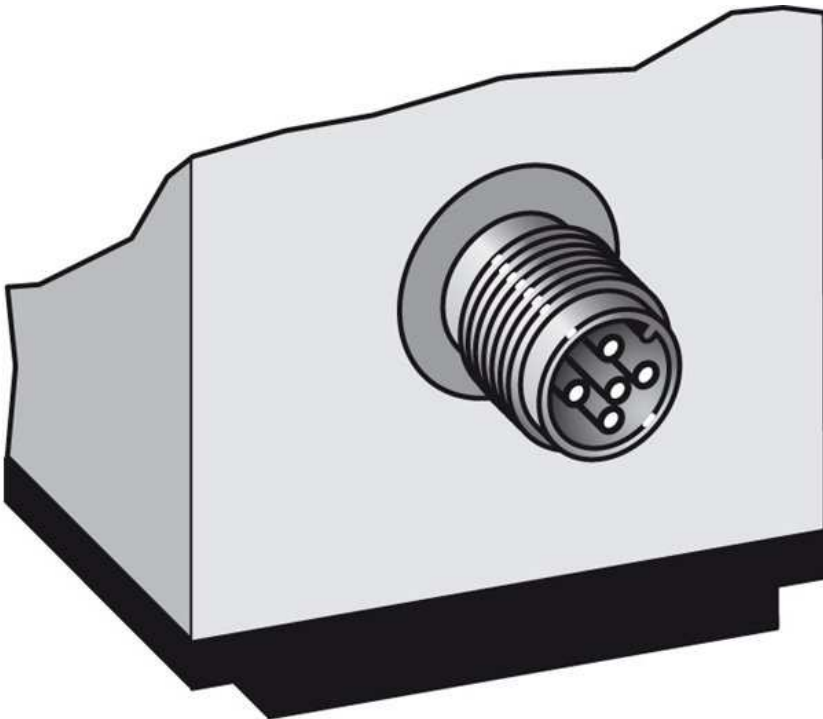
Enclosure rating:	IP 65, IP 67
Protection class:	III
Ambient temperature ¹⁾ :	Operation: -30 ... +55 °C, Storage: -40 ... +75 °C
Vibration resistance:	EN 60068-2-6/EN 60068-2-64
Shock resistance:	EN 60068-2-27
Typ. ambient light safety:	40 klx

¹⁾ $U_v \leq 24$ V

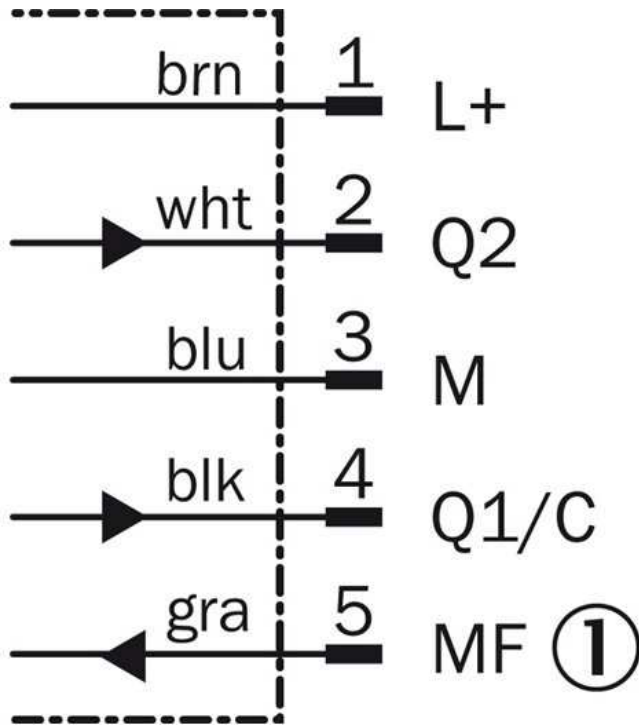
Dimensional drawing



Connection type



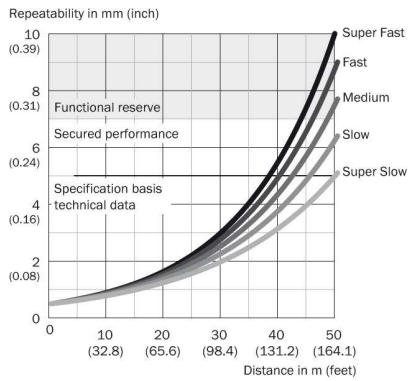
Connection diagram



[1] Multifunctional input (MF)

Characteristic curve 1) Super Slow ... 5) Super Fast

Super Slow ... Super Fast



Australia

Phone +61 3 9457 0600
1800 33 48 02 – tollfree
E-Mail sales@sick.com.au

Belgium/Luxembourg

Phone +32 (0)2 466 55 66
E-Mail info@sick.be

Brasil

Phone +55 11 3215-4900
E-Mail marketing@sick.com.br

Canada

Phone +1 905 771 14 44
E-Mail information@sick.com

Česká republika

Phone +420 2 57 91 18 50
E-Mail sick@sick.cz

China

Phone +86 4000 121 000
E-Mail info.china@sick.net.cn
Phone +852-2153 6300
E-Mail ghk@sick.com.hk

Danmark

Phone +45 45 82 64 00
E-Mail sick@sick.dk

Deutschland

Phone +49 211 5301-301
E-Mail info@sick.de

España

Phone +34 93 480 31 00
E-Mail info@sick.es

France

Phone +33 1 64 62 35 00
E-Mail info@sick.fr

Great Britain

Phone +44 (0)1727 831121
E-Mail info@sick.co.uk

India

Phone +91-22-4033 8333
E-Mail info@sick-india.com

Israel

Phone +972-4-6881000
E-Mail info@sick-sensors.com

Italia

Phone +39 02 27 43 41
E-Mail info@sick.it

Japan

Phone +81 (0)3 5309 2112
E-Mail support@sick.jp

Magyarország

Phone +36 1 371 2680
E-Mail office@sick.hu

Nederland

Phone +31 (0)30 229 25 44
E-Mail info@sick.nl

Norge

Phone +47 67 81 50 00
E-Mail sick@sick.no

Österreich

Phone +43 (0)22 36 62 28 8-0
E-Mail office@sick.at

Polska

Phone +48 22 837 40 50
E-Mail info@sick.pl

România

Phone +40 356 171 120
E-Mail office@sick.ro

Russia

Phone +7-495-775-05-30
E-Mail info@sick.ru

Schweiz

Phone +41 41 619 29 39
E-Mail contact@sick.ch

Singapore

Phone +65 6744 3732
E-Mail sales.gsg@sick.com

Slovenija

Phone +386 (0)1-47 69 990
E-Mail office@sick.si

South Africa

Phone +27 11 472 3733
E-Mail info@sickautomation.co.za

South Korea

Phone +82 2 786 6321/4
E-Mail info@sickkorea.net

Suomi

Phone +358-9-25 15 800
E-Mail sick@sick.fi

Sverige

Phone +46 10 110 10 00
E-Mail info@sick.se

Taiwan

Phone +886 2 2375-6288
E-Mail sales@sick.com.tw

Türkiye

Phone +90 (216) 528 50 00
E-Mail info@sick.com.tr

United Arab Emirates

Phone +971 (0) 4 88 65 878
E-Mail info@sick.ae

USA/México

Phone +1(952) 941-6780
1 (800) 325-7425 – tollfree
E-Mail info@sickusa.com

More representatives and agencies
at www.sick.com