



Photoelectric sensors
MultiLine Sensor, Photoelectric proximity sensor,
multi-background suppression

WTB4-3P2192



Photoelectric sensors
**MultiLine Sensor, Photoelectric proximity sensor, multi-
background suppression**

Model Name > [WTB4-3P2192](#)
Part No. > [1058268](#)

At a glance

- Two logical and intelligently linked sensors with background suppression in one miniature housing offer the highest ruggedness for object detection
- Consistent, reliable detection of structures and perforated objects such as e-cards
- Consistent, reliable detection of reflective and irregular objects such as blister packs and soup sachets on conveyor belts
- Maximum sensing range 120 mm
- Simple adjustment via teach-in button

Your benefits

- The MultiLine sensor facilitates faster production sequences since the distances between objects can be reduced
- The sensor position no longer needs to be modified for format changes since the sensor is able to detect objects independently of their position. This saves time and money
- The reliable signal of the sensor from the arriving to the departing edge places less demands on the control software since it no longer needs to be debounced or evaluated
- The MultiLine sensor offers high process reliability because all objects are detected independently of their structure, geometry and surface properties
- And placing the sensor into operation is as easy as pressing a button. A fast and reliable commissioning without complicated operating algorithms is thus given



Illustration may differ



Features

Sensor/detection principle:	Photoelectric proximity sensor, multi-background suppression
Dimensions (W x H x D):	16 mm x 39.5 mm x 12 mm
Housing design (light emission):	Rectangular, Flat
Sensing range max.:	5 mm ... 120 mm
Sensing range:	15 mm ... 120 mm
Type of light:	Visible red light
Light source:	PinPoint LED ¹⁾
Wave length:	650 nm
Light spot diameter (distance):	40 mm
Sensitivity adjustment:	Teach-in button
Teach-in:	Single teach-in button

¹⁾ Average service life of 100,000 h at T_A = +25 °C

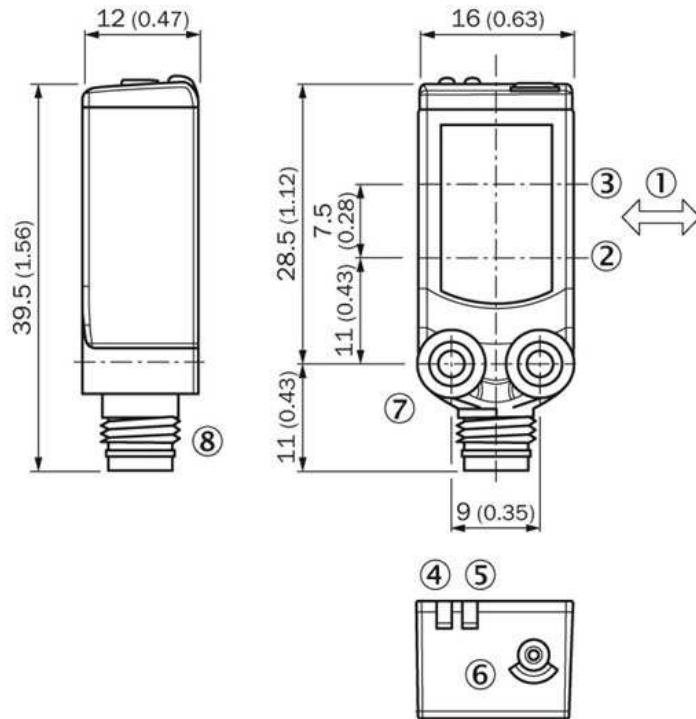
Mechanics/electronics

Supply voltage:	10 V DC ... 30 V DC ¹⁾
Ripple:	< 5 Vpp ²⁾
Power consumption:	≤ 30 mA ³⁾
Output type:	PNP, Light-switching
Output current I _{max.} :	≤ 100 mA ⁴⁾
Response time:	< 1.2 ms ⁵⁾
Switching frequency:	400 Hz ⁵⁾
Connection type:	Connector M8, 3-pin ⁶⁾
Circuit protection:::	A, C, D ^{7) 8) 9)}
Protection class:	III
Weight:	30 g
Housing material:	ABS
Optics material:	PMMA
Enclosure rating:	IP 67 IP 66
Special feature:	For transparent objects
Ambient operating temperature:	-40 °C ... 60 °C
Ambient storage temperature:	-40 °C ... 75 °C

¹⁾ Limit values, operation in short-circuit protected network max. 8 A ²⁾ May not exceed or fall short of V_S tolerances ³⁾ Without load ⁴⁾ Signal transit time with resistive load ⁵⁾ With light/dark ratio 1:1 ⁶⁾ Do not bend below 0 °C ⁷⁾ A = V_S connections reverse-polarity protected ⁸⁾ C = interference suppression ⁹⁾ D = outputs

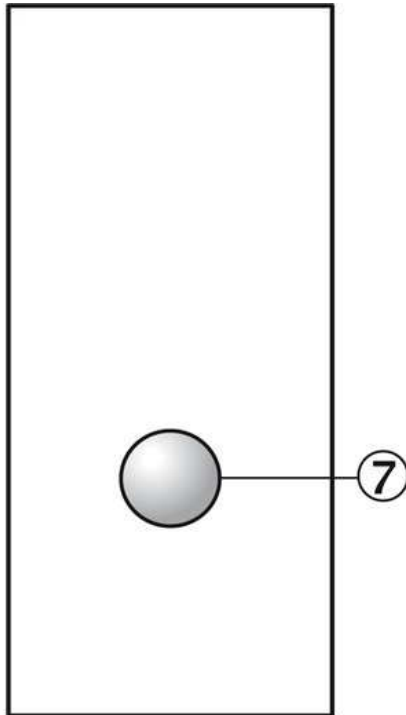
overcurrent and short-circuit protected

Dimensional drawing



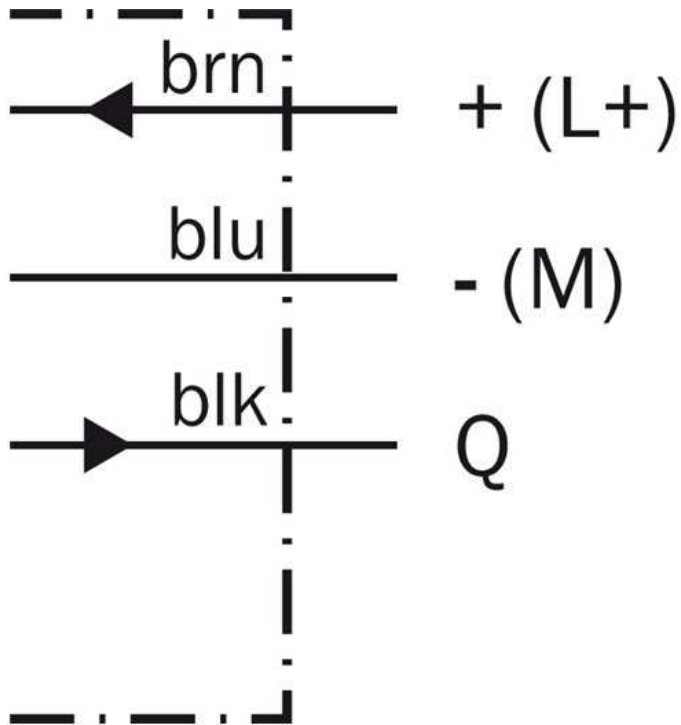
- |1| Standard direction of the material being scanned
- |2| Optical axis sender
- |3| Optical axis receiver
- |4| Status indicator LED,
yellow: Status of received light beam
- |5| Status indicator LED green: power on
- |6| Teach-in button
- |7| Threaded mounting hole M3
- |8| Connection

Adjustments possible

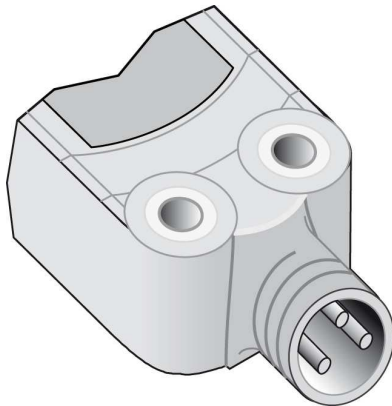


- |1| Teach-in button

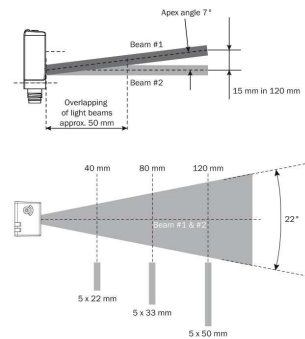
Connection diagram



Connection type



Light spot size



Australia

Phone +61 3 9457 0600
1800 33 48 02 – tollfree
E-Mail sales@sick.com.au

Belgium/Luxembourg

Phone +32 (0)2 466 55 66
E-Mail info@sick.be

Brasil

Phone +55 11 3215-4900
E-Mail marketing@sick.com.br

Canada

Phone +1 905 771 14 44
E-Mail information@sick.com

Česká republika

Phone +420 2 57 91 18 50
E-Mail sick@sick.cz

China

Phone +86 4000 121 000
E-Mail info.china@sick.net.cn
Phone +852-2153 6300
E-Mail ghk@sick.com.hk

Danmark

Phone +45 45 82 64 00
E-Mail sick@sick.dk

Deutschland

Phone +49 211 5301-301
E-Mail info@sick.de

España

Phone +34 93 480 31 00
E-Mail info@sick.es

France

Phone +33 1 64 62 35 00
E-Mail info@sick.fr

Great Britain

Phone +44 (0)1727 831121
E-Mail info@sick.co.uk

India

Phone +91-22-4033 8333
E-Mail info@sick-india.com

Israel

Phone +972-4-6881000
E-Mail info@sick-sensors.com

Italia

Phone +39 02 27 43 41
E-Mail info@sick.it

Japan

Phone +81 (0)3 5309 2112
E-Mail support@sick.jp

Magyarország

Phone +36 1 371 2680
E-Mail office@sick.hu

Nederland

Phone +31 (0)30 229 25 44
E-Mail info@sick.nl

Norge

Phone +47 67 81 50 00
E-Mail sick@sick.no

Österreich

Phone +43 (0)22 36 62 28 8-0
E-Mail office@sick.at

Polska

Phone +48 22 837 40 50
E-Mail info@sick.pl

România

Phone +40 356 171 120
E-Mail office@sick.ro

Russia

Phone +7-495-775-05-30
E-Mail info@sick.ru

Schweiz

Phone +41 41 619 29 39
E-Mail contact@sick.ch

Singapore

Phone +65 6744 3732
E-Mail sales.gsg@sick.com

Slovenija

Phone +386 (0)1-47 69 990
E-Mail office@sick.si

South Africa

Phone +27 11 472 3733
E-Mail info@sickautomation.co.za

South Korea

Phone +82 2 786 6321/4
E-Mail info@sickkorea.net

Suomi

Phone +358-9-25 15 800
E-Mail sick@sick.fi

Sverige

Phone +46 10 110 10 00
E-Mail info@sick.se

Taiwan

Phone +886 2 2375-6288
E-Mail sales@sick.com.tw

Türkiye

Phone +90 (216) 528 50 00
E-Mail info@sick.com.tr

United Arab Emirates

Phone +971 (0) 4 88 65 878
E-Mail info@sick.ae

USA/México

Phone +1(952) 941-6780
1 (800) 325-7425 – tollfree
E-Mail info@sickusa.com

More representatives and agencies
at www.sick.com