



Safety controllers  
Flexi Soft, main module, FX3-CPU2

FX3-CPU230002



**Model Name** > [FX3-CPU230002](#)  
**Part No.** > [1058999](#)



**At a glance**

- CPU0: Basic functions incl. RS-232 programming interface
- CPU1: CPU0 functions plus interface for advanced functions of SICK safety sensors
- CPU2: CPU1 functions plus backup function automatic configuration recovery (ACR)
- CPU3: CPU2 functions plus USB programming and Flexi Line interface
- Connection of up to 12 Flexi Soft expansion modules
- Connection of up to two Flexi Soft gateways

**Your benefits**

- System plug enables fast commissioning
- Less downtime since all status information can be transferred to every standard fieldbus system using Flexi Soft gateways
- Fast troubleshooting and minimum downtime due to real-time diagnostics
- Quick replacement of sensors due to automatic configuration recovery (ACR), which automatically configures newly connected sensors
- Fast, reliable communication among up to 32 Flexi Soft stations



**Safety-related parameters**

Safety integrity level:	SIL3 (IEC 61508) SILCL3 (EN 62061)
Category:	Category 4 (EN ISO 13849-1)
Performance level:	PL e (EN ISO 13849-1)
PFHd:	1.69 * 1E-09 (EN ISO 13849)
TM (mission time):	20 a (EN ISO 13849)

**Functions**

Restart interlock:	-
External device monitoring (EDM):	✓
Differentiation between man and material (muting):	✓
Safe SICK device communication via EFi/SDL:	✓
Flexi Link:	✓
Flexi Line:	-
Automatic Configuration Recovery (ACR):	✓

**Mechanical data**

Dimensions (W x H x D): 22.5 mm x 96.5 mm x 120.6 mm  
Weight: 119 g (± 5 %)

### Electrical data

Protection class: III (EN 61140)  
Type of voltage supply: PELV or SELV <sup>1)</sup>  
Supply voltage  $V_s$ : 24 V DC (16.8 V DC ... 30 V DC)  
Internal power consumption: ≤ 2.5 W  
Overvoltage category: II (EN 61131-2)  
Switch-on time: ≤ 18 s

<sup>1)</sup> The current of the power supply that powers the main unit must be limited to a maximum of 4 A, either through the power supply itself or a fuse.

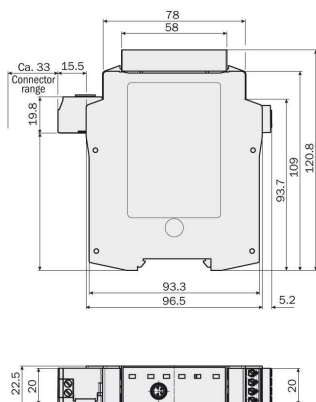
### Interfaces

System connection: System plug FX3-MPL100001  
Connection type system plug: Screw-type terminals  
Connection type EFI connection: Spring terminals  
Number of EFI interfaces: 2  
Configuration and diagnostics interface: RS-232

### Ambient data

Protection class housing: IP 40 (EN 60529)  
Enclosure rating terminals: IP 20 (EN 60529)  
Ambient operating temperature: -25 °C ... +55 °C  
Storage temperature: -25 °C ... +70 °C  
Air humidity: 10 % ... 95 %, non-condensing  
Climate conditions according to: EN 61131-2 (55 °C ambient operating temperature, 95% rel. humidity)  
Electromagnetic compatibility (EMC): Class A (EN 61000-6-2, EN 55011)  
Vibration resistance: 1 g, 5 Hz ... 150 Hz (EN 60068-2-6)  
3 g RMS, 10 Hz ... 500 Hz (EN 60068-2-64)

### Dimensional drawing



**Australia**

Phone +61 3 9457 0600  
1800 33 48 02 – tollfree  
E-Mail sales@sick.com.au

**Belgium/Luxembourg**

Phone +32 (0)2 466 55 66  
E-Mail info@sick.be

**Brasil**

Phone +55 11 3215-4900  
E-Mail marketing@sick.com.br

**Canada**

Phone +1 905 771 14 44  
E-Mail information@sick.com

**Česká republika**

Phone +420 2 57 91 18 50  
E-Mail sick@sick.cz

**China**

Phone +86 4000 121 000  
E-Mail info.china@sick.net.cn  
Phone +852-2153 6300  
E-Mail ghk@sick.com.hk

**Danmark**

Phone +45 45 82 64 00  
E-Mail sick@sick.dk

**Deutschland**

Phone +49 211 5301-301  
E-Mail info@sick.de

**España**

Phone +34 93 480 31 00  
E-Mail info@sick.es

**France**

Phone +33 1 64 62 35 00  
E-Mail info@sick.fr

**Great Britain**

Phone +44 (0)1727 831121  
E-Mail info@sick.co.uk

**India**

Phone +91-22-4033 8333  
E-Mail info@sick-india.com

**Israel**

Phone +972-4-6881000  
E-Mail info@sick-sensors.com

**Italia**

Phone +39 02 27 43 41  
E-Mail info@sick.it

**Japan**

Phone +81 (0)3 5309 2112  
E-Mail support@sick.jp

**Magyarország**

Phone +36 1 371 2680  
E-Mail office@sick.hu

**Nederland**

Phone +31 (0)30 229 25 44  
E-Mail info@sick.nl

**Norge**

Phone +47 67 81 50 00  
E-Mail sick@sick.no

**Österreich**

Phone +43 (0)22 36 62 28 8-0  
E-Mail office@sick.at

**Polska**

Phone +48 22 837 40 50  
E-Mail info@sick.pl

**România**

Phone +40 356 171 120  
E-Mail office@sick.ro

**Russia**

Phone +7-495-775-05-30  
E-Mail info@sick.ru

**Schweiz**

Phone +41 41 619 29 39  
E-Mail contact@sick.ch

**Singapore**

Phone +65 6744 3732  
E-Mail sales.gsg@sick.com

**Slovenija**

Phone +386 (0)1-47 69 990  
E-Mail office@sick.si

**South Africa**

Phone +27 11 472 3733  
E-Mail info@sickautomation.co.za

**South Korea**

Phone +82 2 786 6321/4  
E-Mail info@sickkorea.net

**Suomi**

Phone +358-9-25 15 800  
E-Mail sick@sick.fi

**Sverige**

Phone +46 10 110 10 00  
E-Mail info@sick.se

**Taiwan**

Phone +886 2 2375-6288  
E-Mail sales@sick.com.tw

**Türkiye**

Phone +90 (216) 528 50 00  
E-Mail info@sick.com.tr

**United Arab Emirates**

Phone +971 (0) 4 88 65 878  
E-Mail info@sick.ae

**USA/México**

Phone +1(952) 941-6780  
1 (800) 325-7425 – tollfree  
E-Mail info@sickusa.com

More representatives and agencies  
at [www.sick.com](http://www.sick.com)