



Photoelectric sensors
W12-2 Laser, Photoelectric retro-reflective
sensor, autocollimation

WL12L-2B530S06



Model Name > **WL12L-2B530S06**
Part No. > **1059522**



Illustration may differ

At a glance

- Laser protection class 1 or 2
- Autocollimation optics
- Rugged sensors for industrial use
- Highly visible laser light spot for versatile detection of objects
- Rugged die-cast zinc housing with optional Teflon® coating
- Versatile mounting options due to dovetail mounting - mounting holes and oblong holes
- Highly visible status LEDs
- Adjustable sensing range and focus

Your benefits

- Reliable detection of all types of objects
- High immunity to optical interference ensures fewer false readings and less downtime
- Highly visible laser light spot provides quick and easy setup
- Highly visible status LEDs simplify commissioning and reduce installation time
- Rugged metal housing (optional Teflon® coating available) requires less maintenance due to its resistance to high-pressure cleaning environments
- Laser protection class 1 or 2 for eye safety
- Rotatable connectors simplify installation



Features

Sensor/detection principle:	Photoelectric retro-reflective sensor, autocollimation
Dimensions (W x H x D):	15 mm x 49 mm x 41.5 mm
Housing design (light emission):	Rectangular
Sensing range max.:	0 m ... 18 m ¹⁾
Type of light:	Visible red light
Light source:	Laser ²⁾
Laser class:	II
Special features:	Fixed sensitivity control, Fixed focus adjustment
Light spot size (distance):	Ø 0.8 mm (600 mm)

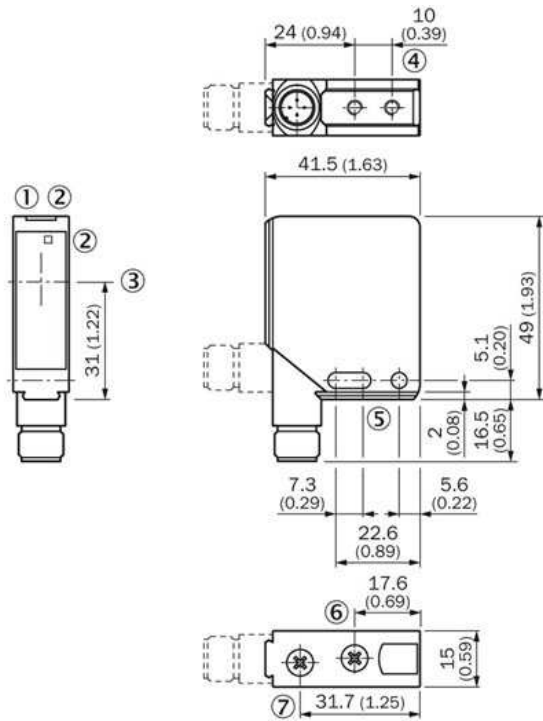
¹⁾ PL80A ²⁾ Average service life 50,000 h at T_A = +25 °C

Mechanics/electronics

Supply voltage:	10 V DC ... 30 V DC ¹⁾
Ripple:	$\leq 5 \text{ Vpp}$ ²⁾
Power consumption:	$\leq 55 \text{ mA}$ ³⁾
Output type:	NPN, PNP
Switching mode:	Dark switching, Light switching
Switching mode selector:	0 V or not connected, light switching, Uv, dark switching, Selectable via L/D control wire
Output current I _{max.} :	100 mA
Response time:	$\leq 200 \mu\text{s}$ ⁴⁾
Switching frequency:	$\pm 2,500 \text{ Hz}$ ⁵⁾
Connection type:	Connector M12, 5-pin
Circuit protection:::	A, C, D ^{6) 7) 8)}
Protection class:	II
Weight:	130 g
Polarisation filter:	✓
Special device:	✓
Housing material:	Metal
Enclosure rating:	IP 67 IP 69K
Ambient operating temperature:	-10 °C ... +50 °C
Ambient storage temperature:	-25 °C ... +75 °C
UL File No.:	NRKH.E181493 & NRKH7.E181493
Signal voltage PNP HIGH/LOW:	Uv - < 2.9 V, Uv V/0 V $\leq 1.5 \text{ V}$
Signal voltage NPN HIGH/LOW:	Uv - < 2.9 V, Uv V/0 V $\leq 1.5 \text{ V}$

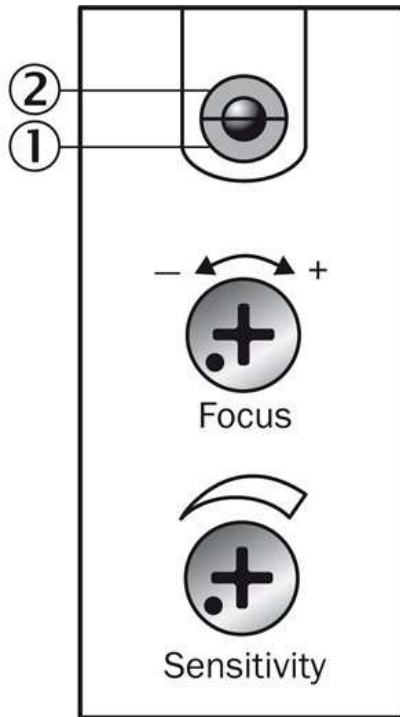
¹⁾ Limit values, operation in short-circuit protected network max. 8 A ²⁾ May not exceed or fall short of V_S tolerances ³⁾ Without load ⁴⁾ Signal transit time with resistive load ⁵⁾ With light/dark ratio 1:1 ⁶⁾ A = V_S connections reverse-polarity protected ⁷⁾ C = interference suppression ⁸⁾ D = outputs overcurrent and short-circuit protected

Dimensional drawing



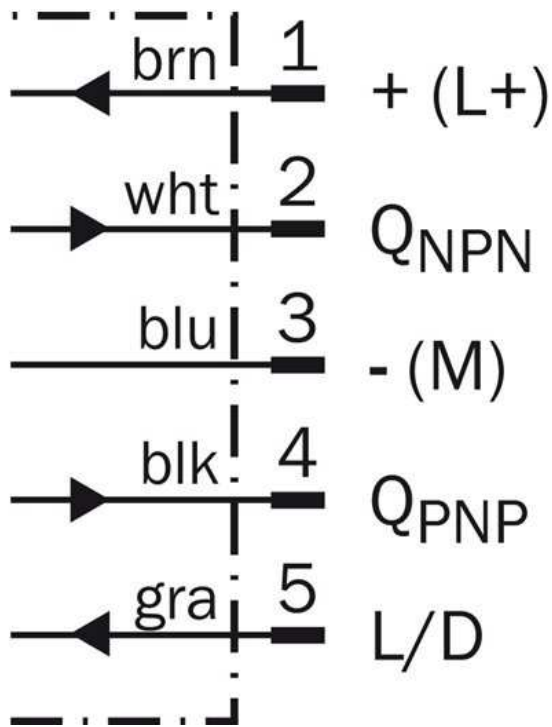
- |1| Operating indicator, green
- |2| LED reception indicator, yellow
- |3| Center of optical axis
- |5| Mounting hole, \varnothing 4.2 mm
- |6| Focal adjustment
- |7| Sensitivity adjustment

Adjustments possible

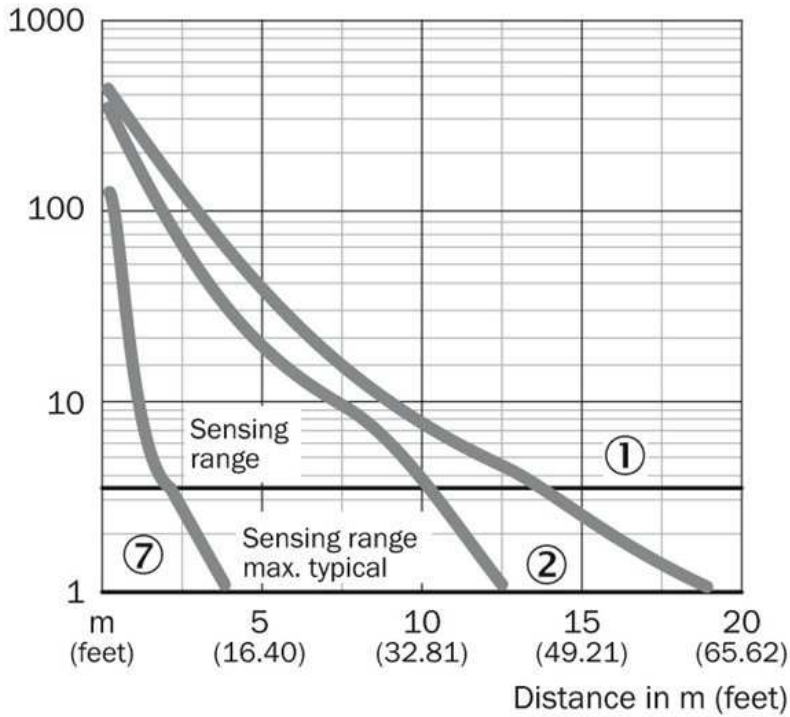


- |1| Operating indicator, green
- |2| LED reception indicator, yellow
- |6| Focal adjustment
- |7| Sensitivity adjustment

Connection diagram

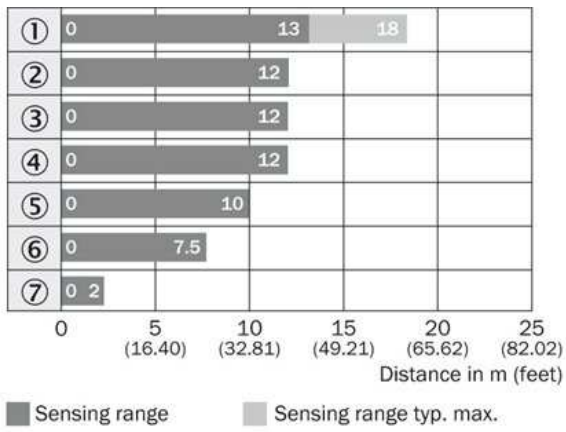


Characteristic curve



- [1] PL80A
- [2] PL50A
- [3] Reflective tape Diamond Grade

Sensing range diagram

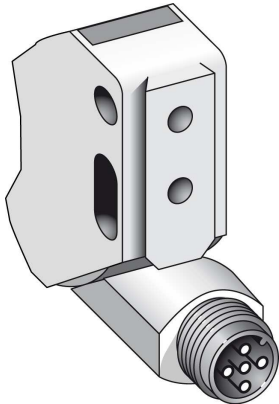


- |1| PL80A
- |2| PL50A
- |3| PL40A
- |4| P250
- |5| PL30A
- |6| PL20A
- |7| Reflective tape Diamond Grade

Reflector type

- ① PL80A
- ② PL50A
- ③ PL40A
- ④ P250
- ⑤ PL30A
- ⑥ PL20A
- ⑦ Reflective tape
Diamond Grade

Connection type



Australia

Phone +61 3 9457 0600
1800 33 48 02 – tollfree
E-Mail sales@sick.com.au

Belgium/Luxembourg

Phone +32 (0)2 466 55 66
E-Mail info@sick.be

Brasil

Phone +55 11 3215-4900
E-Mail marketing@sick.com.br

Canada

Phone +1 905 771 14 44
E-Mail information@sick.com

Česká republika

Phone +420 2 57 91 18 50
E-Mail sick@sick.cz

China

Phone +86 4000 121 000
E-Mail info.china@sick.net.cn
Phone +852-2153 6300
E-Mail ghk@sick.com.hk

Danmark

Phone +45 45 82 64 00
E-Mail sick@sick.dk

Deutschland

Phone +49 211 5301-301
E-Mail info@sick.de

España

Phone +34 93 480 31 00
E-Mail info@sick.es

France

Phone +33 1 64 62 35 00
E-Mail info@sick.fr

Great Britain

Phone +44 (0)1727 831121
E-Mail info@sick.co.uk

India

Phone +91-22-4033 8333
E-Mail info@sick-india.com

Israel

Phone +972-4-6881000
E-Mail info@sick-sensors.com

Italia

Phone +39 02 27 43 41
E-Mail info@sick.it

Japan

Phone +81 (0)3 5309 2112
E-Mail support@sick.jp

Magyarország

Phone +36 1 371 2680
E-Mail office@sick.hu

Nederland

Phone +31 (0)30 229 25 44
E-Mail info@sick.nl

Norge

Phone +47 67 81 50 00
E-Mail sick@sick.no

Österreich

Phone +43 (0)22 36 62 28 8-0
E-Mail office@sick.at

Polska

Phone +48 22 837 40 50
E-Mail info@sick.pl

România

Phone +40 356 171 120
E-Mail office@sick.ro

Russia

Phone +7-495-775-05-30
E-Mail info@sick.ru

Schweiz

Phone +41 41 619 29 39
E-Mail contact@sick.ch

Singapore

Phone +65 6744 3732
E-Mail sales.gsg@sick.com

Slovenija

Phone +386 (0)1-47 69 990
E-Mail office@sick.si

South Africa

Phone +27 11 472 3733
E-Mail info@sickautomation.co.za

South Korea

Phone +82 2 786 6321/4
E-Mail info@sickkorea.net

Suomi

Phone +358-9-25 15 800
E-Mail sick@sick.fi

Sverige

Phone +46 10 110 10 00
E-Mail info@sick.se

Taiwan

Phone +886 2 2375-6288
E-Mail sales@sick.com.tw

Türkiye

Phone +90 (216) 528 50 00
E-Mail info@sick.com.tr

United Arab Emirates

Phone +971 (0) 4 88 65 878
E-Mail info@sick.ae

USA/México

Phone +1(952) 941-6780
1 (800) 325-7425 – tollfree
E-Mail info@sickusa.com

More representatives and agencies
at www.sick.com