



Photoelectric sensors
GR18S, Photoelectric retro-reflective sensor,
Standard optics

GRL18S-E1331



Model Name > [GRL18S-E1331](#)
Part No. > [1059537](#)



Illustration may differ

At a glance

- Low-cost cylindrical M18 sensor with extra short housing
- Five different housing styles
- Variety of plastic and metal housing styles, with straight or right angle optics
- Bright and highly visible PinPoint-LED
- Special flush type, one-piece metal housing
- Highly visible signal indicator LED
- IP 67 rating

Your benefits

- Space-saving solution due to short housing
- Flexible mounting options due to versatile housing styles
- Easy installation and precise detection due to PinPoint LED
- Reduced maintenance costs due to high tightening torque of single piece flush metal housing
- Rugged and reliable with proven SICK technology
- Highly visible signal indicator LED saves maintenance and commissioning time



Features

Sensor/detection principle:	Photoelectric retro-reflective sensor, Standard optics
Housing design (light emission):	Cylindrical, straight
Optical axis:	axial
Sensing range max.:	0.03 m ... 7.2 m ¹⁾
Sensing range:	0.06 m ... 6 m ²⁾
Type of light:	Visible red light
Light source:	PinPoint LED ³⁾
Wave length:	650 nm
Light spot size (distance):	Ø 175 mm (7 m)

1) 2) PL80A 3) Average service life of 100,000 h at T_A = +25 °C

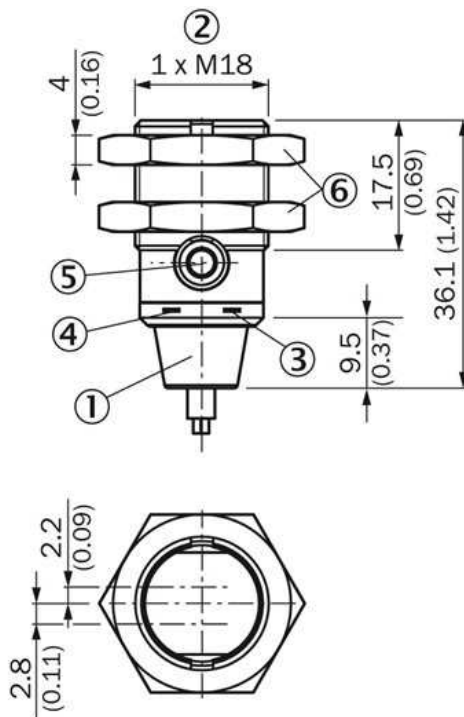
Mechanics/electronics

Supply voltage:	10 V DC ... 30 V DC ¹⁾
Ripple:	± 5 Vpp ²⁾
Power consumption:	≤ 30 mA
Output type:	NPN
Switching mode:	Dark switching

Output current I _{max} ..:	100 mA ³⁾
Response time:	< 500 μs ⁴⁾
Switching frequency:	1,000 Hz
Connection type:	Cable, 3-wire, 2 m ⁵⁾
Cable material:	PVC
Circuit protection:::	A, B, D ⁶⁾ ⁷⁾ ⁸⁾
Protection class:	III
Polarisation filter:	✓
Enclosure rating:	IP 67
Items supplied:	Fastening nuts (2 x)
Ambient operating temperature:	-25 °C ... +55 °C ⁹⁾
Ambient storage temperature:	-40 °C ... +70 °C
UL File No.:	NRKH.E348498 & NRKH7.E348498
Signal voltage NPN HIGH/LOW:	Approx. V _S /≤ 3 V
Housing material:	Metal

¹⁾ Limit values, operation in short-circuit protected network max. 8 A ²⁾ May not exceed or fall short of V_S tolerances ³⁾ At V_S > 24 V or ambient temperature > 49 °C, I_A max = 50 mA ⁴⁾ Signal transit time with resistive load ⁵⁾ Do not bend below 0 °C ⁶⁾ A = V_S connections reverse-polarity protected ⁷⁾ B = inputs and output reverse-polarity protected ⁸⁾ D = outputs overcurrent and short-circuit protected ⁹⁾ At U_V ≤ 24V and I_A

Dimensional drawing



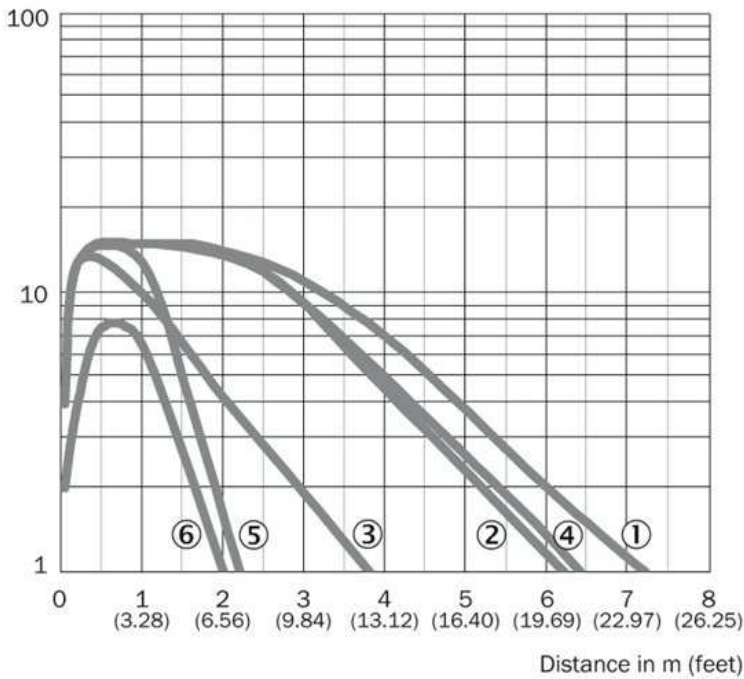
- [1] Connection cable 2 m
- [2] Threaded mounting hole M18 x 1
- [3] LED indicator yellow
- [4] LED indicator green
- [5] Dummy plug
- [6] fastening nuts (2 x); 24 mm hex, metal

Connection diagram



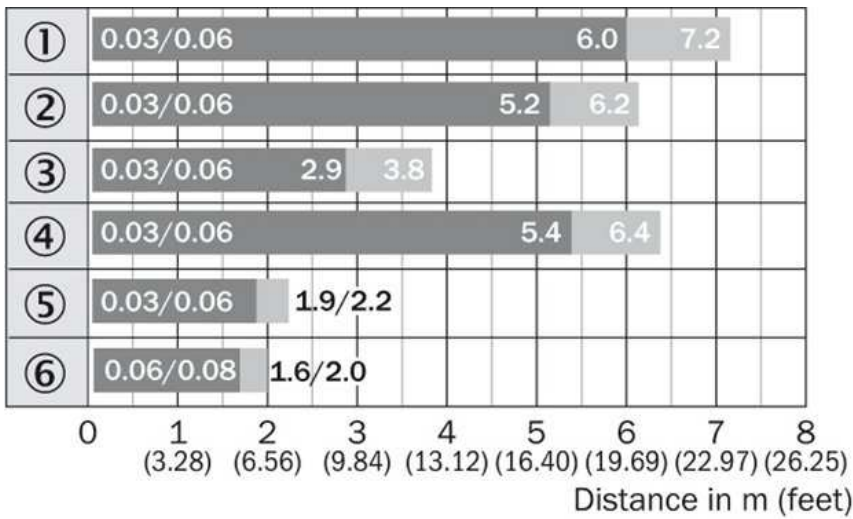
Characteristic curve

Operating reserve



- |1| Reflector type PL80A
- |2| Reflector type PL40A
- |3| Reflector type PL20A
- |4| Reflector type P205
- |5| Reflector type PL22-2
- |6| Reflective tape REF-Plus 3436

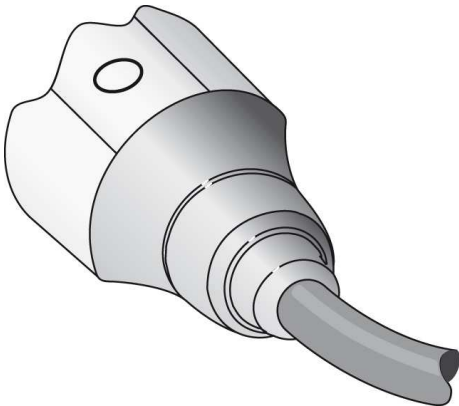
Sensing range diagram



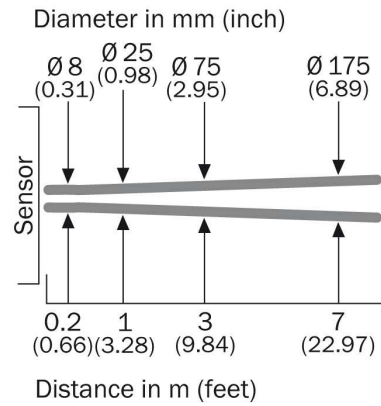
- |1| Reflector type PL80A
- |2| Reflector type PL40A
- |3| Reflector type PL20A
- |4| Reflector type P205
- |5| Reflector type PL22-2
- |6| Reflective tape REF-Plus 3436

■ Sensing range ■ Sensing range max.

Connection type



Light spot size



Australia

Phone +61 3 9457 0600
1800 33 48 02 – tollfree
E-Mail sales@sick.com.au

Belgium/Luxembourg

Phone +32 (0)2 466 55 66
E-Mail info@sick.be

Brasil

Phone +55 11 3215-4900
E-Mail marketing@sick.com.br

Canada

Phone +1 905 771 14 44
E-Mail information@sick.com

Česká republika

Phone +420 2 57 91 18 50
E-Mail sick@sick.cz

China

Phone +86 4000 121 000
E-Mail info.china@sick.net.cn
Phone +852-2153 6300
E-Mail ghk@sick.com.hk

Danmark

Phone +45 45 82 64 00
E-Mail sick@sick.dk

Deutschland

Phone +49 211 5301-301
E-Mail info@sick.de

España

Phone +34 93 480 31 00
E-Mail info@sick.es

France

Phone +33 1 64 62 35 00
E-Mail info@sick.fr

Great Britain

Phone +44 (0)1727 831121
E-Mail info@sick.co.uk

India

Phone +91-22-4033 8333
E-Mail info@sick-india.com

Israel

Phone +972-4-6881000
E-Mail info@sick-sensors.com

Italia

Phone +39 02 27 43 41
E-Mail info@sick.it

Japan

Phone +81 (0)3 5309 2112
E-Mail support@sick.jp

Magyarország

Phone +36 1 371 2680
E-Mail office@sick.hu

Nederland

Phone +31 (0)30 229 25 44
E-Mail info@sick.nl

Norge

Phone +47 67 81 50 00
E-Mail sick@sick.no

Österreich

Phone +43 (0)22 36 62 28 8-0
E-Mail office@sick.at

Polska

Phone +48 22 837 40 50
E-Mail info@sick.pl

România

Phone +40 356 171 120
E-Mail office@sick.ro

Russia

Phone +7-495-775-05-30
E-Mail info@sick.ru

Schweiz

Phone +41 41 619 29 39
E-Mail contact@sick.ch

Singapore

Phone +65 6744 3732
E-Mail sales.gsg@sick.com

Slovenija

Phone +386 (0)1-47 69 990
E-Mail office@sick.si

South Africa

Phone +27 11 472 3733
E-Mail info@sickautomation.co.za

South Korea

Phone +82 2 786 6321/4
E-Mail info@sickkorea.net

Suomi

Phone +358-9-25 15 800
E-Mail sick@sick.fi

Sverige

Phone +46 10 110 10 00
E-Mail info@sick.se

Taiwan

Phone +886 2 2375-6288
E-Mail sales@sick.com.tw

Türkiye

Phone +90 (216) 528 50 00
E-Mail info@sick.com.tr

United Arab Emirates

Phone +971 (0) 4 88 65 878
E-Mail info@sick.ae

USA/México

Phone +1(952) 941-6780
1 (800) 325-7425 – tollfree
E-Mail info@sickusa.com

More representatives and agencies
at www.sick.com