



Photoelectric sensors
GR18S, Through-beam photoelectric sensor

GRSE18S-P2338



Model Name > GRSE18S-P2338
Part No. > 1059547



Illustration may differ

At a glance

- Low-cost cylindrical M18 sensor with extra short housing
- Five different housing styles
- Variety of plastic and metal housing styles, with straight or right angle optics
- Bright and highly visible PinPoint-LED
- Special flush type, one-piece metal housing
- Highly visible signal indicator LED
- IP 67 rating

Your benefits

- Space-saving solution due to short housing
- Flexible mounting options due to versatile housing styles
- Easy installation and precise detection due to PinPoint LED
- Reduced maintenance costs due to high tightening torque of single piece flush metal housing
- Rugged and reliable with proven SICK technology
- Highly visible signal indicator LED saves maintenance and commissioning time



Features

Sensor/detection principle:	Through-beam photoelectric sensor
Housing design (light emission):	Cylindrical, angled
Optical axis:	radial
Sensing range max.:	0 m ... 15 m
Sensing range:	0 m ... 10 m
Type of light:	Visible red light
Light source:	PinPoint LED ¹⁾
Wave length:	650 nm
Light spot size (distance):	Ø 250 mm (10 m)

¹⁾ Average service life of 100,000 h at T_A = +25 °C

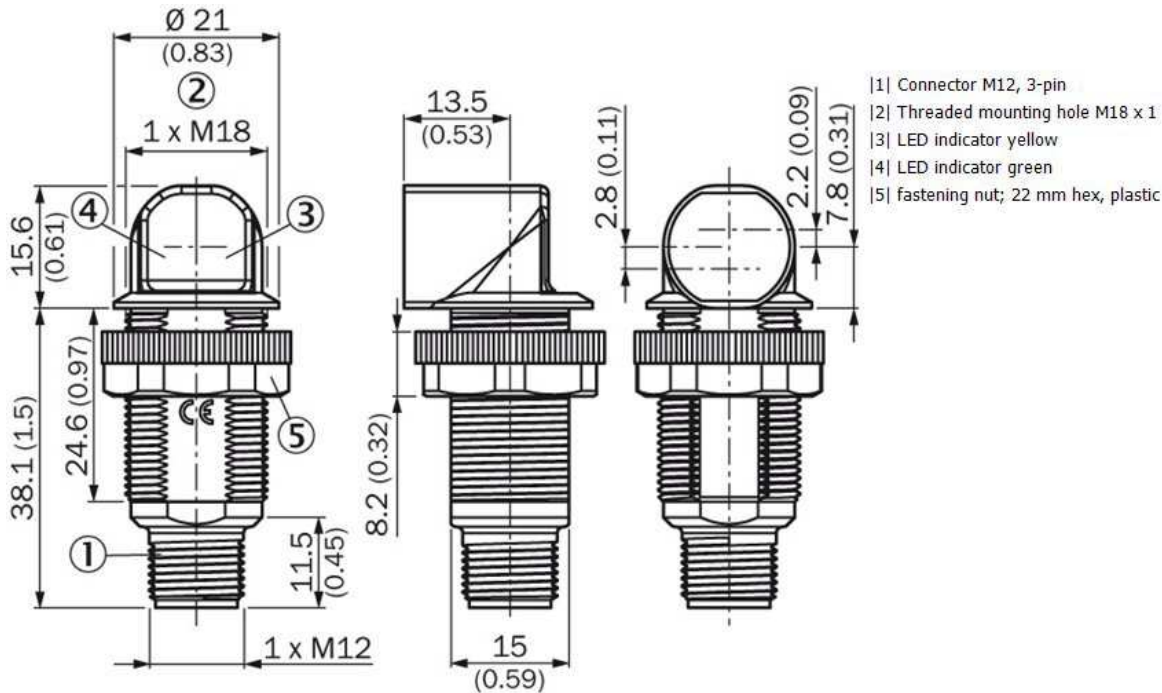
Mechanics/electronics

Supply voltage:	10 V DC ... 30 V DC ¹⁾
Ripple:	± 5 Vpp ²⁾
Power consumption:	≤ 30 mA
Output type:	PNP
Switching mode:	Light switching

Output current I _{max} .:	100 mA ³⁾
Response time:	< 500 μs ⁴⁾
Switching frequency:	1,000 Hz
Connection type:	Connector M12, 3-pin
Circuit protection:::	A, B, D ^{5) 6) 7)}
Protection class:	III
Enclosure rating:	IP 67
Items supplied:	Fastening nuts (4 x)
Ambient operating temperature:	-25 °C ... +55 °C ⁸⁾
Ambient storage temperature:	-40 °C ... +70 °C
UL File No.:	NRKH.E348498 & NRKH7.E348498
Signal voltage PNP HIGH/LOW:	VS - (≤ 3 V)/approx. 0 V
Housing material:	Plastic

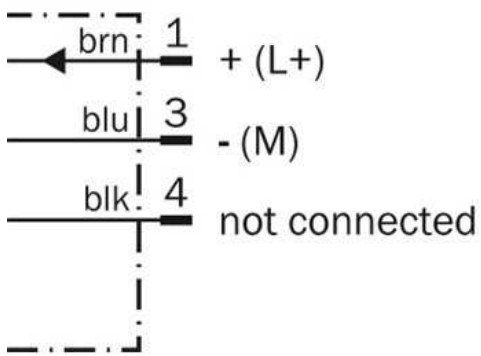
1) Limit values, operation in short-circuit protected network max. 8 A ²⁾ May not exceed or fall short of V_S tolerances ³⁾ At V_S > 24 V or ambient temperature > 49 °C, I_A max = 50 mA ⁴⁾ Signal transit time with resistive load ⁵⁾ A = V_S connections reverse-polarity protected ⁶⁾ B = inputs and output reverse-polarity protected ⁷⁾ D = outputs overcurrent and short-circuit protected ⁸⁾ At U_V ≤ 24V and I_A

Dimensional drawing

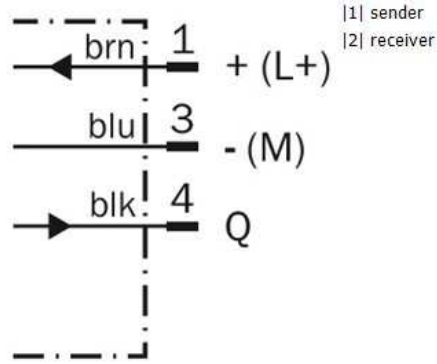


Connection diagram

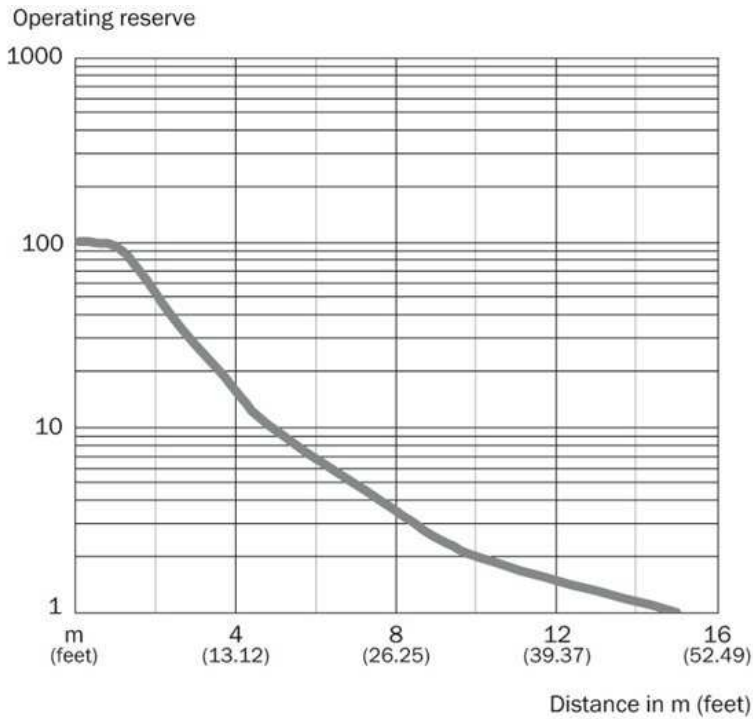
①



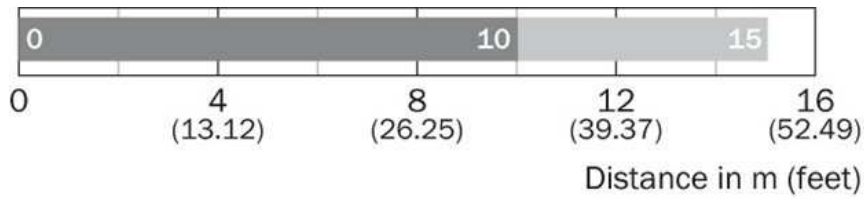
②



Characteristic curve

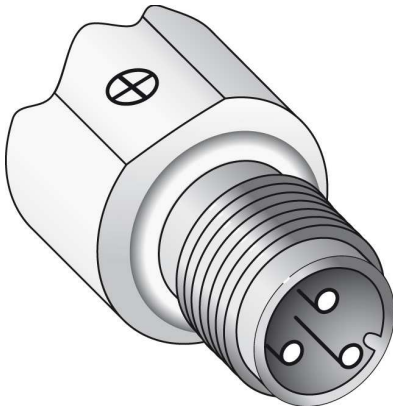


Sensing range diagram

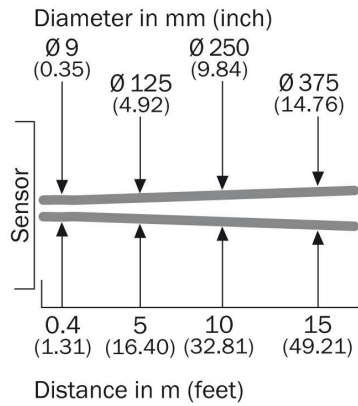


■ Operating range ■ Sensing range typ. max.

Connection type



Light spot size



Australia

Phone +61 3 9457 0600
1800 33 48 02 – tollfree
E-Mail sales@sick.com.au

Belgium/Luxembourg

Phone +32 (0)2 466 55 66
E-Mail info@sick.be

Brasil

Phone +55 11 3215-4900
E-Mail marketing@sick.com.br

Canada

Phone +1 905 771 14 44
E-Mail information@sick.com

Česká republika

Phone +420 2 57 91 18 50
E-Mail sick@sick.cz

China

Phone +86 4000 121 000
E-Mail info.china@sick.net.cn
Phone +852-2153 6300
E-Mail ghk@sick.com.hk

Danmark

Phone +45 45 82 64 00
E-Mail sick@sick.dk

Deutschland

Phone +49 211 5301-301
E-Mail info@sick.de

España

Phone +34 93 480 31 00
E-Mail info@sick.es

France

Phone +33 1 64 62 35 00
E-Mail info@sick.fr

Great Britain

Phone +44 (0)1727 831121
E-Mail info@sick.co.uk

India

Phone +91-22-4033 8333
E-Mail info@sick-india.com

Israel

Phone +972-4-6881000
E-Mail info@sick-sensors.com

Italia

Phone +39 02 27 43 41
E-Mail info@sick.it

Japan

Phone +81 (0)3 5309 2112
E-Mail support@sick.jp

Magyarország

Phone +36 1 371 2680
E-Mail office@sick.hu

Nederland

Phone +31 (0)30 229 25 44
E-Mail info@sick.nl

Norge

Phone +47 67 81 50 00
E-Mail sick@sick.no

Österreich

Phone +43 (0)22 36 62 28 8-0
E-Mail office@sick.at

Polska

Phone +48 22 837 40 50
E-Mail info@sick.pl

România

Phone +40 356 171 120
E-Mail office@sick.ro

Russia

Phone +7-495-775-05-30
E-Mail info@sick.ru

Schweiz

Phone +41 41 619 29 39
E-Mail contact@sick.ch

Singapore

Phone +65 6744 3732
E-Mail sales.gsg@sick.com

Slovenija

Phone +386 (0)1-47 69 990
E-Mail office@sick.si

South Africa

Phone +27 11 472 3733
E-Mail info@sickautomation.co.za

South Korea

Phone +82 2 786 6321/4
E-Mail info@sickkorea.net

Suomi

Phone +358-9-25 15 800
E-Mail sick@sick.fi

Sverige

Phone +46 10 110 10 00
E-Mail info@sick.se

Taiwan

Phone +886 2 2375-6288
E-Mail sales@sick.com.tw

Türkiye

Phone +90 (216) 528 50 00
E-Mail info@sick.com.tr

United Arab Emirates

Phone +971 (0) 4 88 65 878
E-Mail info@sick.ae

USA/México

Phone +1(952) 941-6780
1 (800) 325-7425 – tollfree
E-Mail info@sickusa.com

More representatives and agencies
at www.sick.com