



Photoelectric sensors  
W12-3, Photoelectric proximity sensor,  
Background suppression

WTB12-3F2441S63



**Model Name** > [WTB12-3F2441S63](#)  
**Part No.** > [1059689](#)



*Illustration may differ*

**At a glance**

- State of the art technology provides precise background suppression
- Withstands harsh environments
- PinPoint LED technology with highly visible light spot; variants available with IR LED for highly critical applications
- Rugged die-cast zinc housing, with optional Teflon® coating
- Versatile mounting options due to dovetail mounting - mounting holes and oblong holes
- Flexible sensing ranges and hysteresis settings
- Key lock function, remote teach, quality monitoring
- Diagnostics messages (contamination and short-circuit)

**Your benefits**

- State of the art technology, e.g. OES3 provides precise background suppression and reliable detection of challenging objects
- High immunity to ambient light, optical reflections and crosstalk ensures fewer false readings and less downtime
- Highly visible status LEDs simplify sensing distance adjustments and reduce installation time
- A rugged metal housing withstands high-pressure cleaners and cleaning agents, reducing downtime
- Complementary outputs in one housing reduce inventory and procurement costs
- IO-Link enables quick remote diagnostics and maintenance (optional)
- Easy installation using SICK accessories



**Features**

|                                  |  |
|----------------------------------|--|
| Sensor/detection principle:      | Photoelectric proximity sensor, Background suppression |
| Dimensions (W x H x D):          | 15.6 mm x 48.5 mm x 42 mm                              |
| Housing design (light emission): | Rectangular  |
| Sensing range max.:              | 20 mm ... 80 mm <sup>1)</sup>                          |
| Sensing range:                   | 20 mm ... 80 mm  |
| Type of light:                   | Infrared light   |
| Light source:                    | LED <sup>2)</sup>                                      |
| Wave length:                     | 850 nm   |
| Special features:                | Sensing range 80 mm, yarn string detection             |
| Adjustment:                      | Potentiometer, 5 turns                                 |
| Light spot size (distance):      | 15 x 15 mm (200 mm)                                    |

1) Object with 90 % reflectance (referred to standard white, DIN 5033) 2) Average service life of 100,000 h at  $T_A = +25\text{ °C}$

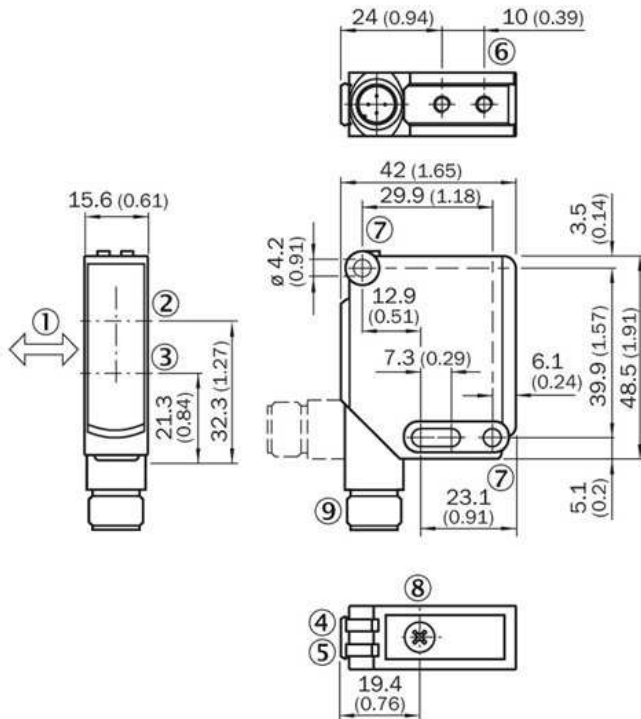
## Mechanics/electronics

---

|                                    |   |
|------------------------------------|---|
| Supply voltage:                    | 10 V DC ... 30 V DC <sup>1)</sup>                 |
| Ripple:                            | $\leq 5\text{ Vpp}$ <sup>2)</sup>                 |
| Power consumption:                 | $\leq 55\text{ mA}$ <sup>3)</sup>                 |
| Output type:                       | PNP   |
| Output function:                   | Complementary                                     |
| Switching mode:                    | Light/dark switching                              |
| Output current I <sub>max.</sub> : | 100 mA  |
| Response time:                     | $\leq 330\text{ }\mu\text{s}$ <sup>4)</sup>       |
| Switching frequency:               | $\pm 1,500\text{ Hz}$ <sup>5)</sup>               |
| Connection type:                   | Cable, 4-wire, 2 m <sup>6)</sup>                  |
| Cable material:                    | PVC   |
| Conductor cross-section:           | 0.25 mm <sup>2</sup>                              |
| Circuit protection:::              | A, C, D <sup>7)</sup> <sup>8)</sup> <sup>9)</sup> |
| Protection class:                  | II  |
| Weight:                            | 200 g   |
| Housing material:                  | Metal   |
| Enclosure rating:                  | IP 66<br>IP 67<br>IP 69K                          |
| Ambient operating temperature:     | -40 °C ... +60 °C                                 |
| Ambient storage temperature:       | -40 °C ... +75 °C                                 |
| UL File No.:                       | NRKH.E181493 & NRKH7.E181493                      |
| Signal voltage NPN HIGH/LOW:       | Approx. $V_S / < 2.5\text{ V}$                    |

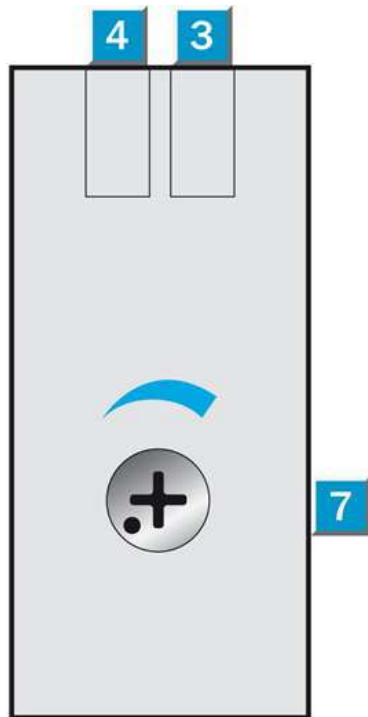
1) Limit values, operation in short-circuit protected network max. 8 A 2) May not exceed or fall short of  $V_S$  tolerances 3) Without load 4) Signal transit time with resistive load 5) With light/dark ratio 1:1 6) Do not bend below 0 °C 7) A =  $V_S$  connections reverse-polarity protected 8) C = interference suppression 9) D = outputs overcurrent and short-circuit protected

## Dimensional drawing



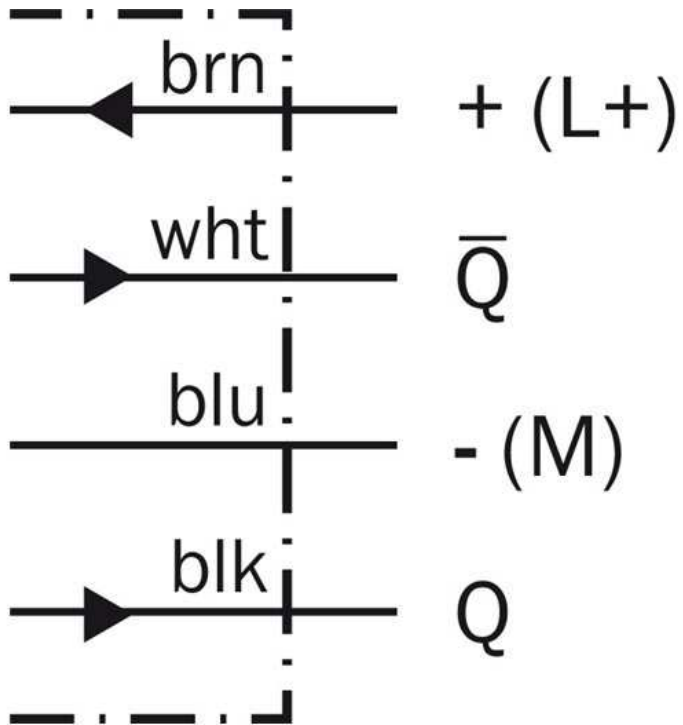
- |1| Standard direction of the material being detected
- |2| Optical axis, receiver
- |3| Optical axis, sender
- |4| Status indicator LED green: power on
- |5| Status indicator LED, yellow: Status of received light beam
- |6| M4 threaded mounting hole, 4 mm deep
- |7| Mounting hole,  $\varnothing 4.2$  mm
- |8| Sensing range adjustment: potentiometer
- |9| Connection

## Adjustments possible

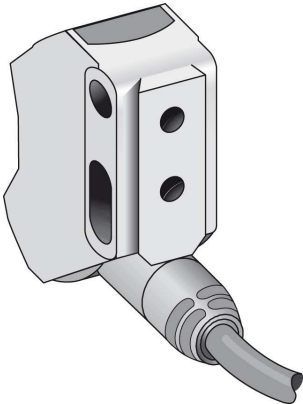


- |4| Green LED indicator: supply voltage active
- |5| LED indicator yellow: Light received
- |8| Sensing range adjustment: potentiometer

Connection diagram



Connection type



**Australia**

Phone +61 3 9457 0600  
1800 33 48 02 – tollfree  
E-Mail sales@sick.com.au

**Belgium/Luxembourg**

Phone +32 (0)2 466 55 66  
E-Mail info@sick.be

**Brasil**

Phone +55 11 3215-4900  
E-Mail marketing@sick.com.br

**Canada**

Phone +1 905 771 14 44  
E-Mail information@sick.com

**Česká republika**

Phone +420 2 57 91 18 50  
E-Mail sick@sick.cz

**China**

Phone +86 4000 121 000  
E-Mail info.china@sick.net.cn  
Phone +852-2153 6300  
E-Mail ghk@sick.com.hk

**Danmark**

Phone +45 45 82 64 00  
E-Mail sick@sick.dk

**Deutschland**

Phone +49 211 5301-301  
E-Mail info@sick.de

**España**

Phone +34 93 480 31 00  
E-Mail info@sick.es

**France**

Phone +33 1 64 62 35 00  
E-Mail info@sick.fr

**Great Britain**

Phone +44 (0)1727 831121  
E-Mail info@sick.co.uk

**India**

Phone +91-22-4033 8333  
E-Mail info@sick-india.com

**Israel**

Phone +972-4-6881000  
E-Mail info@sick-sensors.com

**Italia**

Phone +39 02 27 43 41  
E-Mail info@sick.it

**Japan**

Phone +81 (0)3 5309 2112  
E-Mail support@sick.jp

**Magyarország**

Phone +36 1 371 2680  
E-Mail office@sick.hu

**Nederland**

Phone +31 (0)30 229 25 44  
E-Mail info@sick.nl

**Norge**

Phone +47 67 81 50 00  
E-Mail sick@sick.no

**Österreich**

Phone +43 (0)22 36 62 28 8-0  
E-Mail office@sick.at

**Polska**

Phone +48 22 837 40 50  
E-Mail info@sick.pl

**România**

Phone +40 356 171 120  
E-Mail office@sick.ro

**Russia**

Phone +7-495-775-05-30  
E-Mail info@sick.ru

**Schweiz**

Phone +41 41 619 29 39  
E-Mail contact@sick.ch

**Singapore**

Phone +65 6744 3732  
E-Mail sales.gsg@sick.com

**Slovenija**

Phone +386 (0)1-47 69 990  
E-Mail office@sick.si

**South Africa**

Phone +27 11 472 3733  
E-Mail info@sickautomation.co.za

**South Korea**

Phone +82 2 786 6321/4  
E-Mail info@sickkorea.net

**Suomi**

Phone +358-9-25 15 800  
E-Mail sick@sick.fi

**Sverige**

Phone +46 10 110 10 00  
E-Mail info@sick.se

**Taiwan**

Phone +886 2 2375-6288  
E-Mail sales@sick.com.tw

**Türkiye**

Phone +90 (216) 528 50 00  
E-Mail info@sick.com.tr

**United Arab Emirates**

Phone +971 (0) 4 88 65 878  
E-Mail info@sick.ae

**USA/México**

Phone +1(952) 941-6780  
1 (800) 325-7425 – tollfree  
E-Mail info@sickusa.com

More representatives and agencies  
at [www.sick.com](http://www.sick.com)