



Photoelectric sensors
Reflex Array, Photoelectric retro-reflective sensor

WL27-3P3402S20



Model Name > [WL27-3P3402S20](#)
Part No. > [1060755](#)



Illustration may differ

At a glance

- Detects objects > 12 mm within a 50 mm light array, regardless of position
- Sensing range for detection from 0 m to max. 4.5 m
- Minimum distance of 0.5 m between sensor and reflector for all variants
- PinPoint technology for intense red light
- Automatic adjustment of the switching threshold when there is contamination

Your benefits

- Reduces the installation work required by up to 50% compared to light grids or multiple photoelectric sensors
- Detects objects > 12 mm within a 50 mm light array, regardless of position Three other variants are available for other objects.
- PinPoint technology and optical alignment procedure enables simple and quick commissioning
- Continuous Threshold Adjustment (CTA) ensures less downtime



Features

Sensor/detection principle:	Photoelectric retro-reflective sensor
Dimensions (W x H x D):	24.6 mm x 80 mm x 54.2 mm
Housing design (light emission):	Rectangular
Sensing range max.:	0 m ... 2 m, 0 m ... 4.5 m ^{1) 2)}
Sensing range::	0 m ... 2 m, 0 m ... 4.5 m ^{3) 4)}
Type of light:	Visible red light
Light source:	PinPoint LED ⁵⁾
Minimum object size:	8 mm, position-independent detection within the light array
Special features:	Detection height 30 mm
Adjustment:	Single teach-in button
Distance of the sensor to reflector:	0.5 m ... 4.5 m

1) 3) PL80A 2) 4) PL40A 5) Average service life of 100,000 h at T_A = +25 °C

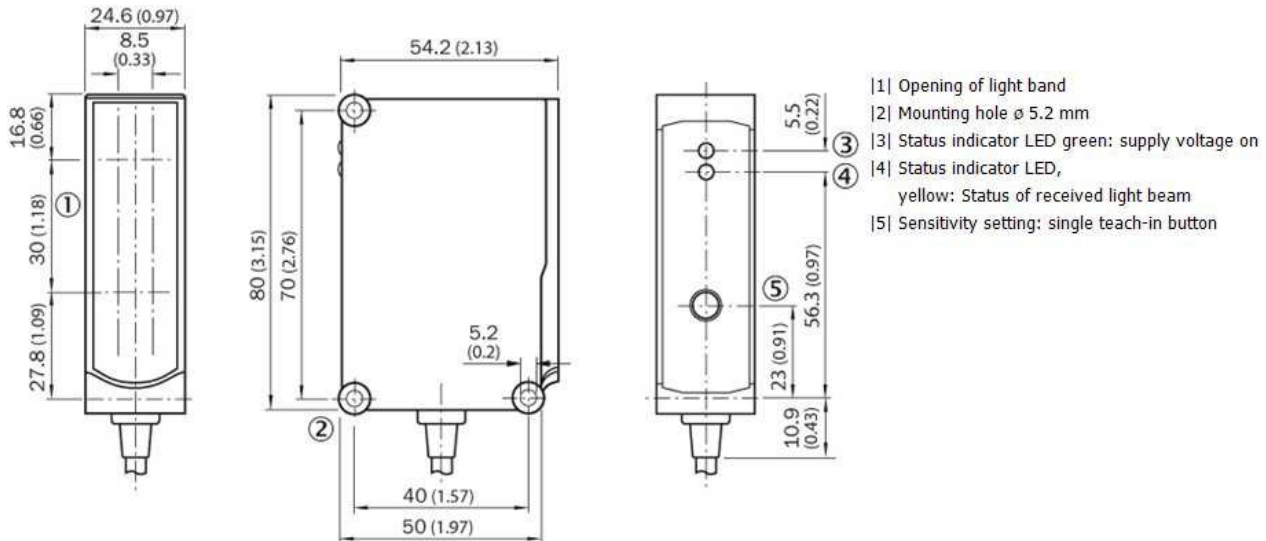
Mechanics/electronics

Supply voltage:	10 V DC ... 30 V DC ¹⁾
Ripple:	≤ 5 Vpp ²⁾
Power consumption:	≤ 35 mA ³⁾
Output type:	PNP
Output function:	Complementary

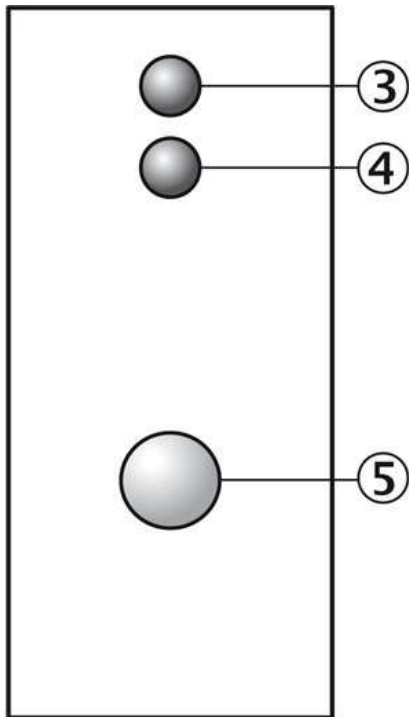
Switching mode:	Light/dark switching
Output current I _{max} ::	≤ 100 mA
Response time:	≤ 2.5 ms ⁴⁾
Switching frequency:	200 Hz ⁵⁾
Connection type:	Cable with connector M12, 4-pin, 270 mm ⁶⁾
Cable material:	PVC
Circuit protection:::	A, B, C ^{7) 8) 9)}
Protection class:	II ¹⁰⁾
Weight:	130 g
Special device:	-
Optics material:	PMMA
Enclosure rating:	IP 67
Special feature:	Light band
Ambient temperature operation:	-30 °C ... +60 °C
Ambient storage temperature:	-40 °C ... +75 °C
UL File No.:	NRKH.E181493 & NRKH7.E181493
Signal voltage PNP HIGH/LOW:	Approx. VS - 2.5 V/0 V
Housing material:	ABS, Plastic

1) Limit values, operation in short-circuit protected network max. 8 A 2) May not exceed or fall short of V_S tolerances 3) Without load 4) Signal transit time with resistive load 5) With light/dark ratio 1:1 6) Do not bend below 0 °C 7) A = V_S connections reverse-polarity protected 8) B = inputs and output reverse-polarity protected 9) C = interference suppression 10) Reference voltage: 50 V DC

Dimensional drawing

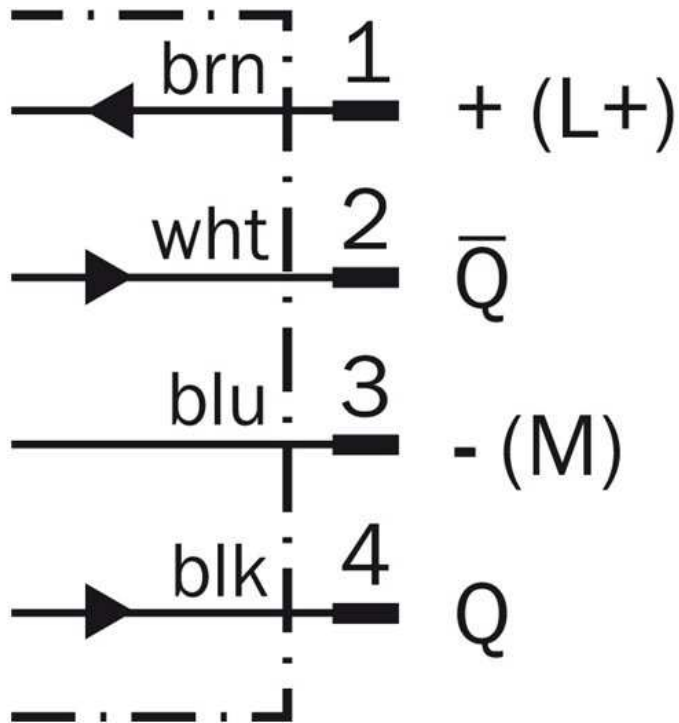


Adjustments possible

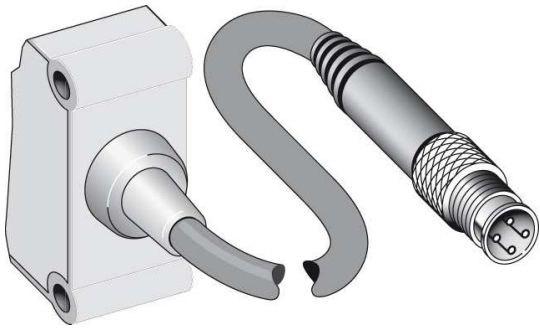


- |3| Status indicator LED green: supply voltage on
- |4| Status indicator LED,
yellow: Status of received light beam
- |5| Sensitivity setting: single teach-in button

Connection diagram



Connection type



Australia

Phone +61 3 9457 0600
1800 33 48 02 – tollfree
E-Mail sales@sick.com.au

Belgium/Luxembourg

Phone +32 (0)2 466 55 66
E-Mail info@sick.be

Brasil

Phone +55 11 3215-4900
E-Mail marketing@sick.com.br

Canada

Phone +1 905 771 14 44
E-Mail information@sick.com

Česká republika

Phone +420 2 57 91 18 50
E-Mail sick@sick.cz

China

Phone +86 4000 121 000
E-Mail info.china@sick.net.cn
Phone +852-2153 6300
E-Mail ghk@sick.com.hk

Danmark

Phone +45 45 82 64 00
E-Mail sick@sick.dk

Deutschland

Phone +49 211 5301-301
E-Mail info@sick.de

España

Phone +34 93 480 31 00
E-Mail info@sick.es

France

Phone +33 1 64 62 35 00
E-Mail info@sick.fr

Great Britain

Phone +44 (0)1727 831121
E-Mail info@sick.co.uk

India

Phone +91-22-4033 8333
E-Mail info@sick-india.com

Israel

Phone +972-4-6881000
E-Mail info@sick-sensors.com

Italia

Phone +39 02 27 43 41
E-Mail info@sick.it

Japan

Phone +81 (0)3 5309 2112
E-Mail support@sick.jp

Magyarország

Phone +36 1 371 2680
E-Mail office@sick.hu

Nederland

Phone +31 (0)30 229 25 44
E-Mail info@sick.nl

Norge

Phone +47 67 81 50 00
E-Mail sick@sick.no

Österreich

Phone +43 (0)22 36 62 28 8-0
E-Mail office@sick.at

Polska

Phone +48 22 837 40 50
E-Mail info@sick.pl

România

Phone +40 356 171 120
E-Mail office@sick.ro

Russia

Phone +7-495-775-05-30
E-Mail info@sick.ru

Schweiz

Phone +41 41 619 29 39
E-Mail contact@sick.ch

Singapore

Phone +65 6744 3732
E-Mail sales.gsg@sick.com

Slovenija

Phone +386 (0)1-47 69 990
E-Mail office@sick.si

South Africa

Phone +27 11 472 3733
E-Mail info@sickautomation.co.za

South Korea

Phone +82 2 786 6321/4
E-Mail info@sickkorea.net

Suomi

Phone +358-9-25 15 800
E-Mail sick@sick.fi

Sverige

Phone +46 10 110 10 00
E-Mail info@sick.se

Taiwan

Phone +886 2 2375-6288
E-Mail sales@sick.com.tw

Türkiye

Phone +90 (216) 528 50 00
E-Mail info@sick.com.tr

United Arab Emirates

Phone +971 (0) 4 88 65 878
E-Mail info@sick.ae

USA/México

Phone +1(952) 941-6780
1 (800) 325-7425 – tollfree
E-Mail info@sickusa.com

More representatives and agencies
at www.sick.com