



Inductive proximity sensors  
Rectangular housing, IQ10

IQ10-06NPSKW2SS05



**Model Name** > [IQ10-06NPSKW2SS05](#)  
**Part No.** > [1062437](#)



**At a glance**

- Tough VISTALTM housing
- SICK-ASIC technology
- 270° status display with extra-bright LED
- Extended sensing range of up to 6 mm
- Hotmelt molding
- Withstands high installation and tightening torque
- IP 68 enclosure rating

**Your benefits**

- Best mechanical and electronic stability for extra-long service life
- Highest levels of process reliability for your application
- Long service life that reduce maintenance costs thanks to SICK's ASIC technology and rugged VISTALTM housing
- Precise detection and high sensor accuracy enable fast handling and assembly processes
- Space-saving integration in every application
- Increased levels of protection against shock and vibration reduce maintenance costs
- Quick viewing of sensor status from any position in the room reduces mounting time and commissioning
- Safe, fast mounting without any need for readjustment saves installation time and maintenance costs



**Features**

Design:	Rectangular
Dimensions (W x H x D):	10 mm x 16 mm x 28 mm
Sensing range Sn:	6 mm
Assured sensing range Sa:	4.86 mm
Installation type:	Non-flush
Switching frequency:	± 2,000 Hz
Output type:	PNP
Output function:	NO
Electrical wiring:	DC 3-wire
Enclosure rating:	IP 67 <sup>1)</sup> IP 68
Connection type:	Cable, 3-wire, 2 m

1) According to EN 60529

## Mechanics/electronics

---

Supply voltage:	10 V DC ... 30 V DC
Ripple:	$\leq 10\%$ <sup>1)</sup>
Voltage drop:	$\leq 3\text{ V}$ <sup>2)</sup>
Power consumption:	$\leq 20\text{ mA}$ <sup>3)</sup>
Time delay before availability:	$\leq 100\text{ ms}$
Hysteresis:	5 % ... 15 %
Repeatability:	$\leq 2\%$ <sup>4)</sup> <sup>5)</sup>
Temperature drift (of Sr):	$\pm 10\%$
EMC:	According to EN 60947-5-2
Output current I <sub>a</sub> :	$\leq 200\text{ mA}$
Cable material:	PVC
Conductor cross-section:	0.25 mm <sup>2</sup>
Cable diameter:	Ø 3.7 mm
Short-circuit protection:	✓
Reverse polarity protection:	✓
Power-up pulse protection:	✓
Shock and vibration resistance:	30 g, 11 ms/10 ... 55 Hz, 1 mm
Ambient temperature operation:	-25 °C ... +75 °C
Housing material:	Plastic, VISTAL
Sensing face material:	Plastic, VISTAL
Tightening torque, max.:	$\leq 1\text{ Nm}$
Special features:	Different oscillator frequency

1) Of V<sub>S</sub> <sup>2)</sup> At I<sub>a</sub> max <sup>3)</sup> Without load <sup>4)</sup> U<sub>b</sub> and T<sub>a</sub> constant <sup>5)</sup> Of Sr

## Reduction factors

---

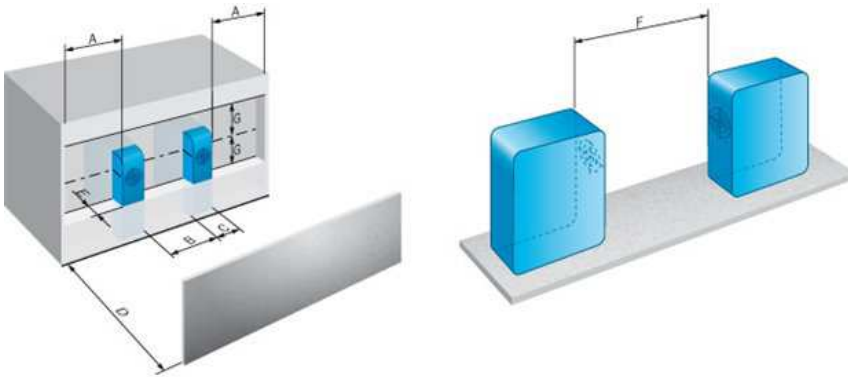
Note:	The values are reference values which may vary
Stainless steel (V2A, 304):	$\pm 0.75$
Copper (Cu):	$\pm 0.35$
Aluminum (Al):	$\pm 0.5$
Brass (Br):	$\pm 0.5$

## Installation note

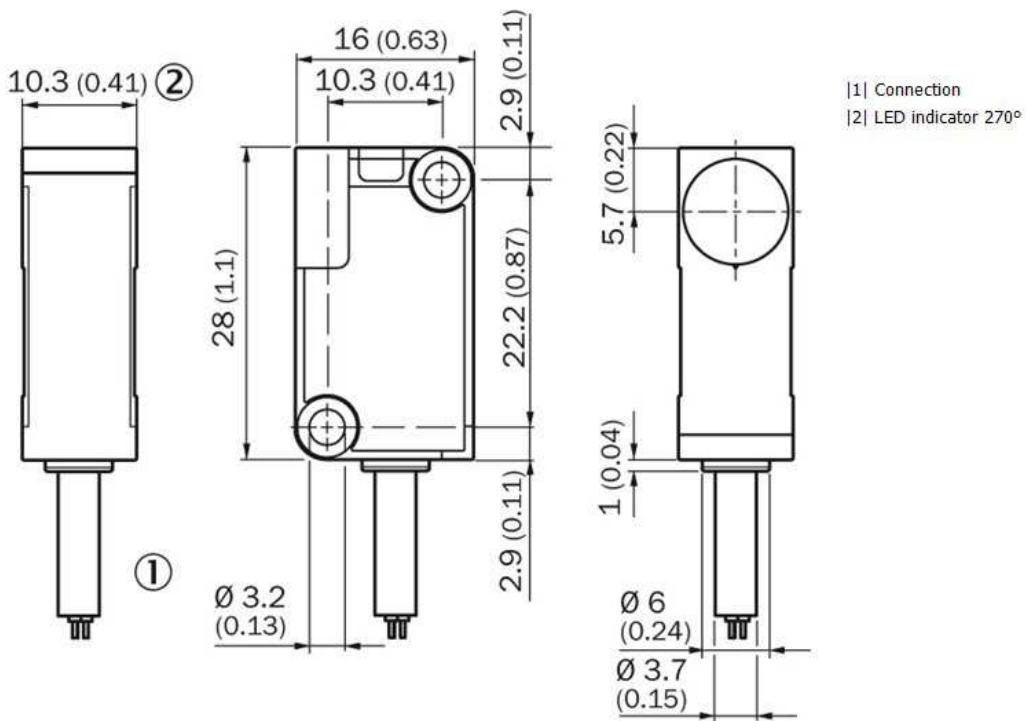
---

A:	7 mm
B:	30 mm
C:	10.3 mm
D:	18 mm
E:	8 mm
F:	48 mm
G:	12 mm
Remark:	Associated graphic see "Installation"

## Installation note

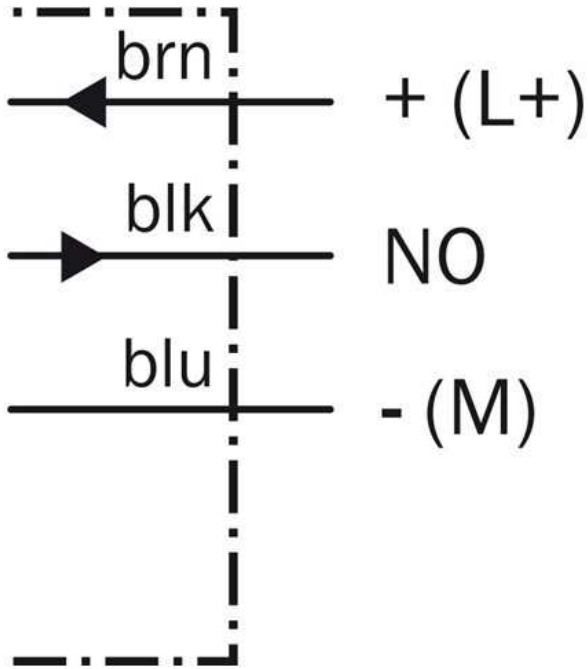


## Dimensional drawing



Connection diagram

---



**Australia**

Phone +61 3 9457 0600  
1800 33 48 02 – tollfree  
E-Mail sales@sick.com.au

**Belgium/Luxembourg**

Phone +32 (0)2 466 55 66  
E-Mail info@sick.be

**Brasil**

Phone +55 11 3215-4900  
E-Mail marketing@sick.com.br

**Canada**

Phone +1 905 771 14 44  
E-Mail information@sick.com

**Česká republika**

Phone +420 2 57 91 18 50  
E-Mail sick@sick.cz

**China**

Phone +86 4000 121 000  
E-Mail info.china@sick.net.cn  
Phone +852-2153 6300  
E-Mail ghk@sick.com.hk

**Danmark**

Phone +45 45 82 64 00  
E-Mail sick@sick.dk

**Deutschland**

Phone +49 211 5301-301  
E-Mail info@sick.de

**España**

Phone +34 93 480 31 00  
E-Mail info@sick.es

**France**

Phone +33 1 64 62 35 00  
E-Mail info@sick.fr

**Great Britain**

Phone +44 (0)1727 831121  
E-Mail info@sick.co.uk

**India**

Phone +91-22-4033 8333  
E-Mail info@sick-india.com

**Israel**

Phone +972-4-6881000  
E-Mail info@sick-sensors.com

**Italia**

Phone +39 02 27 43 41  
E-Mail info@sick.it

**Japan**

Phone +81 (0)3 5309 2112  
E-Mail support@sick.jp

**Magyarország**

Phone +36 1 371 2680  
E-Mail office@sick.hu

**Nederland**

Phone +31 (0)30 229 25 44  
E-Mail info@sick.nl

**Norge**

Phone +47 67 81 50 00  
E-Mail sick@sick.no

**Österreich**

Phone +43 (0)22 36 62 28 8-0  
E-Mail office@sick.at

**Polska**

Phone +48 22 837 40 50  
E-Mail info@sick.pl

**România**

Phone +40 356 171 120  
E-Mail office@sick.ro

**Russia**

Phone +7-495-775-05-30  
E-Mail info@sick.ru

**Schweiz**

Phone +41 41 619 29 39  
E-Mail contact@sick.ch

**Singapore**

Phone +65 6744 3732  
E-Mail sales.gsg@sick.com

**Slovenija**

Phone +386 (0)1-47 69 990  
E-Mail office@sick.si

**South Africa**

Phone +27 11 472 3733  
E-Mail info@sickautomation.co.za

**South Korea**

Phone +82 2 786 6321/4  
E-Mail info@sickkorea.net

**Suomi**

Phone +358-9-25 15 800  
E-Mail sick@sick.fi

**Sverige**

Phone +46 10 110 10 00  
E-Mail info@sick.se

**Taiwan**

Phone +886 2 2375-6288  
E-Mail sales@sick.com.tw

**Türkiye**

Phone +90 (216) 528 50 00  
E-Mail info@sick.com.tr

**United Arab Emirates**

Phone +971 (0) 4 88 65 878  
E-Mail info@sick.ae

**USA/México**

Phone +1(952) 941-6780  
1 (800) 325-7425 – tollfree  
E-Mail info@sickusa.com

More representatives and agencies  
at [www.sick.com](http://www.sick.com)