



Photoelectric sensors  
ZoneControl, Photoelectric proximity sensor,  
Background suppression

IRTN-P210E41S08



**Model Name** > [IRTN-P210E41S08](#)  
**Part No.** > [1063113](#)

**At a glance**

- All-in-one ZoneControl solution: sensor, logic and actuator
- Single accumulation or single accumulation with sleep
- Ideal for pneumatic actuators or motor-driven rollers
- Daisy chain connection cable included for zone lengths of 1 m and 2 m
- Output options with flying leads, M12 or integrated valve
- Integrated with SICK's patented optical ASIC: SIRIC
- IP 65 housing for harsh wash down environments

**Your benefits**

- 30% lower current draw reduces the size of the power supply and yearly electric costs
- Next-generation SIRIC optical ASIC provides ambient light immunity, which eliminates false trips and ensures high productivity
- Variety of features and choices ensure application requirements are met
- Background suppression reduces mounting effort since no reflector is required
- Daisy chain connectivity ensures changes or additions to the system can be made quickly
- Sleep mode, which switches the rollers off after 9 s of inactivity, dramatically reduces power costs
- Mounting between the rollers prevents damage and sensor interference
- The all-in-one solution with sensor, logic and valve reduces wiring and programming costs



*Illustration may differ*



**Features**

Sensor/detection principle:	Photoelectric proximity sensor, Background suppression
Dimensions (W x H x D):	50 mm x 147.4 mm x 48.9 mm
Sensing range:	60 mm ... 900 mm
Type of light:	Infrared light
Light source:	LED <sup>1)</sup>
Time type:	On delay
Delay time:	On delay, 0 s, 5 s
Angle of dispersion:	7 °
Adjustment:	Potentiometer, 9 turns
Light spot size (distance):	Ø 20 mm (500 mm)
Actuator:	Pneumatic, valve on board
Max. number of sensors::	Ca. 30, Ca. 50 <sup>2) 3)</sup>

Logical principle of operation:

Single accumulation

Type of Release:

Block (slug) release, Single release

1) Average service life of 100,000 h at  $T_A = +25\text{ °C}$  2) When power from the end of the IR daisy chain 3) When power from center of the IR daisy chain

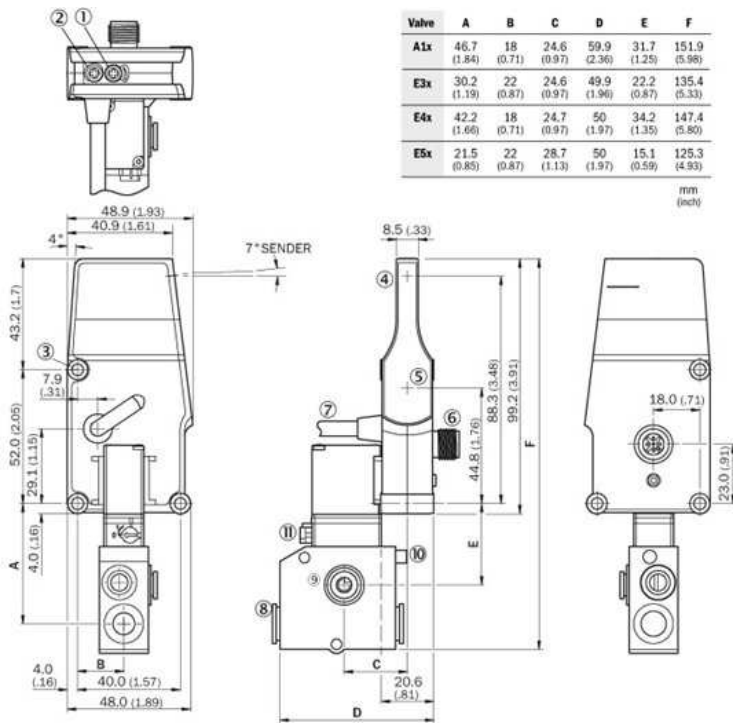
### Mechanics/electronics

---

Supply voltage:	19.2 V DC ... 27.6 V DC <sup>1)</sup>
Ripple:	< 5 Vpp <sup>2)</sup>
Power consumption:	< 20 mA <sup>3)</sup>
Output type:	PNP
Output current I <sub>max.</sub> :	≤ 100 mA
Response time:	2 ms
Switching frequency:	± 250 Hz
Connection type:	Connector M12, 4-pin <sup>4)</sup>
Circuit protection:::	A, C, D <sup>5) 6) 7)</sup>
Protection class:	III
Weight:	175 g
Enclosure rating:	IP 65
Ambient temperature operation:	-10 °C ... +55 °C
Ambient storage temperature:	-40 °C ... +75 °C
Shock and vibration resistance:	According to IEC 68
UL File No.:	NRKH.E189383 & NRKH7.E189383
Signal voltage PNP HIGH/LOW:	Approx. VS - 0.5 V / 0 V
Connection type for daisy chain:	Cable with receptacle, M12, 4-pin 2.5 m
Medium for valves:	Compressed air or neutral gases filtered, Non-lubricated or lubricated
Design solenoid valve:	3/2-way valve
Mode of operation solenoid valve:	Air to Brake (NO)
Connection type solenoid valve:	Output line 4 mm diameter, Compressed air 2 x 8 mm diameter
Coil ratings:	24 V DC 1 W
Air flow rate:	Ca. 20 NI/min
Ventilation capacity:	Ca. 130 NI/min
Operating pressure range:	2 bar ... 8 bar
Housing material:	ABS, Plastic

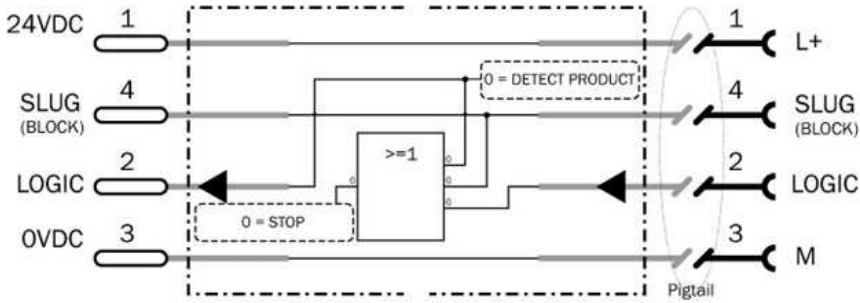
1) Limit values 2) May not exceed or fall short of  $V_S$  tolerances 3) Without load and valve deenergized 4) Do not bend below 0 °C 5) A =  $V_S$  connections reverse-polarity protected 6) C = interference suppression 7) D = outputs overcurrent and short-circuit protected

## Dimensional drawing

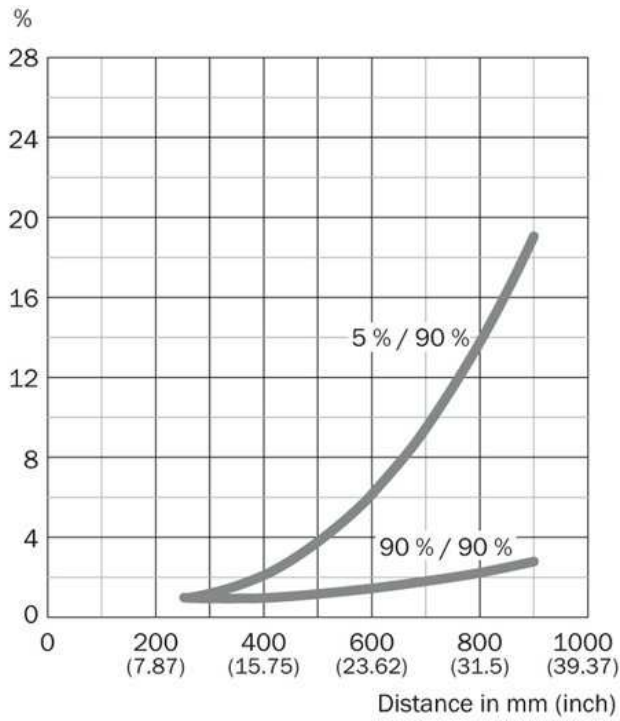


- |1| Potentiometer
- |2| LED
- |3| Mounting hole
- |4| Center of optical axis, sender
- |5| Center of optical axis, receiver
- |6| Connector M12, 4-pin
- |7| Daisy chain, cable with female connector

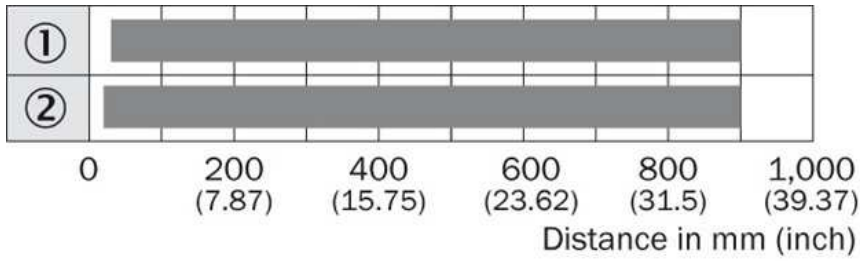
## Connection diagram



**Characteristic curve**



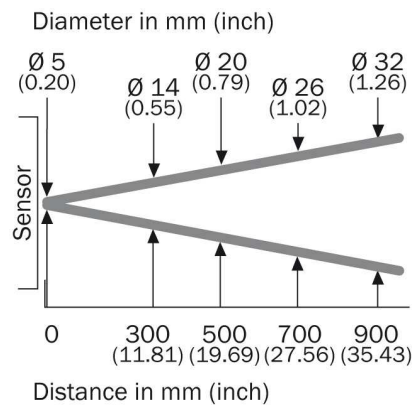
**Sensing range diagram**



|1| Sensing range on black, 5 % remission  
 |2| Sensing range on white, 90 % remission

■ Sensing range max.

## Light spot size



**Australia**

Phone +61 3 9457 0600  
1800 33 48 02 – tollfree  
E-Mail sales@sick.com.au

**Belgium/Luxembourg**

Phone +32 (0)2 466 55 66  
E-Mail info@sick.be

**Brasil**

Phone +55 11 3215-4900  
E-Mail marketing@sick.com.br

**Canada**

Phone +1 905 771 14 44  
E-Mail information@sick.com

**Česká republika**

Phone +420 2 57 91 18 50  
E-Mail sick@sick.cz

**China**

Phone +86 4000 121 000  
E-Mail info.china@sick.net.cn  
Phone +852-2153 6300  
E-Mail ghk@sick.com.hk

**Danmark**

Phone +45 45 82 64 00  
E-Mail sick@sick.dk

**Deutschland**

Phone +49 211 5301-301  
E-Mail info@sick.de

**España**

Phone +34 93 480 31 00  
E-Mail info@sick.es

**France**

Phone +33 1 64 62 35 00  
E-Mail info@sick.fr

**Great Britain**

Phone +44 (0)1727 831121  
E-Mail info@sick.co.uk

**India**

Phone +91-22-4033 8333  
E-Mail info@sick-india.com

**Israel**

Phone +972-4-6881000  
E-Mail info@sick-sensors.com

**Italia**

Phone +39 02 27 43 41  
E-Mail info@sick.it

**Japan**

Phone +81 (0)3 5309 2112  
E-Mail support@sick.jp

**Magyarország**

Phone +36 1 371 2680  
E-Mail office@sick.hu

**Nederland**

Phone +31 (0)30 229 25 44  
E-Mail info@sick.nl

**Norge**

Phone +47 67 81 50 00  
E-Mail sick@sick.no

**Österreich**

Phone +43 (0)22 36 62 28 8-0  
E-Mail office@sick.at

**Polska**

Phone +48 22 837 40 50  
E-Mail info@sick.pl

**România**

Phone +40 356 171 120  
E-Mail office@sick.ro

**Russia**

Phone +7-495-775-05-30  
E-Mail info@sick.ru

**Schweiz**

Phone +41 41 619 29 39  
E-Mail contact@sick.ch

**Singapore**

Phone +65 6744 3732  
E-Mail sales.gsg@sick.com

**Slovenija**

Phone +386 (0)1-47 69 990  
E-Mail office@sick.si

**South Africa**

Phone +27 11 472 3733  
E-Mail info@sickautomation.co.za

**South Korea**

Phone +82 2 786 6321/4  
E-Mail info@sickkorea.net

**Suomi**

Phone +358-9-25 15 800  
E-Mail sick@sick.fi

**Sverige**

Phone +46 10 110 10 00  
E-Mail info@sick.se

**Taiwan**

Phone +886 2 2375-6288  
E-Mail sales@sick.com.tw

**Türkiye**

Phone +90 (216) 528 50 00  
E-Mail info@sick.com.tr

**United Arab Emirates**

Phone +971 (0) 4 88 65 878  
E-Mail info@sick.ae

**USA/México**

Phone +1(952) 941-6780  
1 (800) 325-7425 – tollfree  
E-Mail info@sickusa.com

More representatives and agencies  
at [www.sick.com](http://www.sick.com)