



Laser scanners  
TiM3xx / TiM32x

TiM320-1031000



**Model Name** > [TIM320-1031000](#)  
**Part No.** > [1063467](#)



#### At a glance

- Configure without a PC using "touch and teach"
- Small, lightweight and economical measurement sensor
- Field evaluation using intelligent algorithms
- Set parameter interface is accessible while device is mounted
- One of the smallest laser scanners on the market
- Proven industrial design
- Low power consumption (typ. 3 W)

#### Your benefits

- Low cost of ownership
- Easily hidden from view due to small dimensions
- Low installation costs and exchange time due to M12 x 12 or D-Sub connector
- Long operation for battery-driven vehicles
- Preconfigured fields ensure short installation time
- Reduced hardware costs since only one sensor can be used for large anti-collision fields (up to 235 qm)
- No wiring necessary between sender and receiver



#### Features

Light source:	Infrared (850 nm)
Laser class:	1 (EN 60825-1 (2007-10)), eye-safe
Field of view:	270 °
Scanning frequency:	15 Hz
Angular resolution:	1 °
Operating range:	0.05 m ... 4 m
Max. range with 10 % reflectivity:	2 m

#### Performance

Response time:	Typ. 134 ms
Detectable object shape:	Almost any
Systematic error <sup>1)</sup> :	± 40 mm
Statistical error <sup>2)</sup> :	± 30 mm
Integrated application:	Field evaluation with flexible fields
Number of field sets:	16 field triples (48 fields, 1 triple (3 flexible fields) programmable directly at the scanner)

Simultaneous processing cases: 1 (3 fields)

1) 2) Typical value; actual value depends on environmental conditions.

## Interfaces

---

Serial (RS-232):	-
Ethernet:	-
CAN bus:	-
PROFIBUS DP:	-
PROFINET:	-
DeviceNet:	-
USB:	✓
Function (USB):	AUX, parameterization
Remark (USB):	Micro USB
Switching inputs:	4 (PNP)
Switching outputs:	3 (PNP, plus 1 x "device ready")
Optical indicators:	2 LEDs (ON, switching status)
Delay time:	134 ms ... 30,000 ms (programmable)
Dwell time:	67 ms ... 10,000 ms (programmable)

## Mechanics/electronics

---

Electrical connection:	1 x 15-pin D-sub HD male connector (0.9 m)
Operating voltage:	9 V DC ... 28 V DC
Power consumption:	3 W
Housing color:	Light blue (RAL 5012)
Enclosure rating:	IP 65 (EN 60529/A1:2000-02)
Protection class:	III (EN 60950-1/A11 (2009-03))
Weight:	150 g, without connecting cables
Dimensions:	60 mm x 60 mm x 79 mm

## Ambient data

---

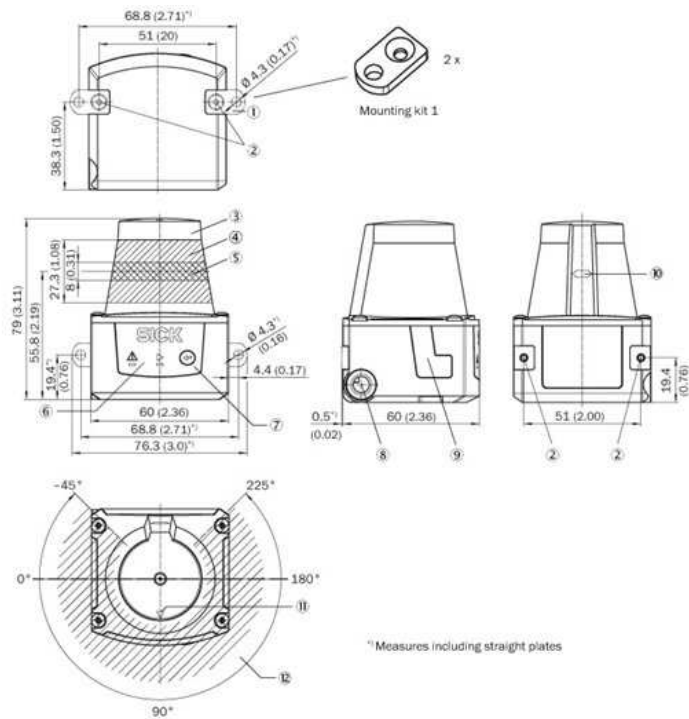
Object remission:	4 % ... > 1,000 % (reflectors)
Electromagnetic compatibility (EMC):	EN 61000-6-3 (2007-01)/EN 61000-6-2 (2005-08)
Vibration resistance:	EN 60068-2-6 (2008-02)
Shock resistance:	EN 60068-2-27 (2009-05)
Ambient operating temperature:	-10 °C ... +50 °C
Storage temperature:	-30 °C ... +70 °C
Ambient light immunity:	15,000 lx

## General notes

---

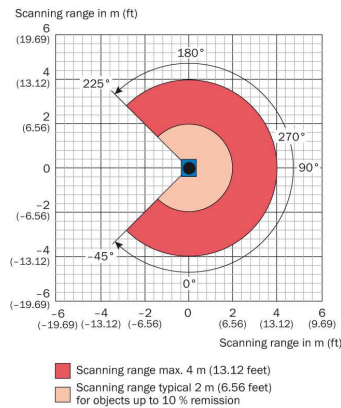
Note on use:	Not suitable for personnel protection
--------------	---------------------------------------

## Dimensional drawing



- |1| 2 x straight plates with M3 x 4 mm screw (included in delivery)
- |2| M3 threaded mounting hole, 2.8 mm deep (blind hole thread)
- |3| Optical hood
- |4| Receiving range (light inlet)
- |5| Transmission range (light emission)
- |6| Red and green LED (status displays)
- |7| Function button for teach-in
- |8| Exit of the connecting cable  
(\*Power/switching inputs/outputs" connection)
- |9| Micro USB female connector, type B
- |10| Marking for the position of the light emission level
- |11| Bearing marking to support alignment (90° axis)
- |12| Aperture angle 270° (scanning angle)

## Operating range diagram



**Australia**

Phone +61 3 9457 0600  
1800 33 48 02 – tollfree  
E-Mail sales@sick.com.au

**Belgium/Luxembourg**

Phone +32 (0)2 466 55 66  
E-Mail info@sick.be

**Brasil**

Phone +55 11 3215-4900  
E-Mail marketing@sick.com.br

**Canada**

Phone +1 905 771 14 44  
E-Mail information@sick.com

**Česká republika**

Phone +420 2 57 91 18 50  
E-Mail sick@sick.cz

**China**

Phone +86 4000 121 000  
E-Mail info.china@sick.net.cn  
Phone +852-2153 6300  
E-Mail ghk@sick.com.hk

**Danmark**

Phone +45 45 82 64 00  
E-Mail sick@sick.dk

**Deutschland**

Phone +49 211 5301-301  
E-Mail info@sick.de

**España**

Phone +34 93 480 31 00  
E-Mail info@sick.es

**France**

Phone +33 1 64 62 35 00  
E-Mail info@sick.fr

**Great Britain**

Phone +44 (0)1727 831121  
E-Mail info@sick.co.uk

**India**

Phone +91-22-4033 8333  
E-Mail info@sick-india.com

**Israel**

Phone +972-4-6881000  
E-Mail info@sick-sensors.com

**Italia**

Phone +39 02 27 43 41  
E-Mail info@sick.it

**Japan**

Phone +81 (0)3 5309 2112  
E-Mail support@sick.jp

**Magyarország**

Phone +36 1 371 2680  
E-Mail office@sick.hu

**Nederland**

Phone +31 (0)30 229 25 44  
E-Mail info@sick.nl

**Norge**

Phone +47 67 81 50 00  
E-Mail sick@sick.no

**Österreich**

Phone +43 (0)22 36 62 28 8-0  
E-Mail office@sick.at

**Polska**

Phone +48 22 837 40 50  
E-Mail info@sick.pl

**România**

Phone +40 356 171 120  
E-Mail office@sick.ro

**Russia**

Phone +7-495-775-05-30  
E-Mail info@sick.ru

**Schweiz**

Phone +41 41 619 29 39  
E-Mail contact@sick.ch

**Singapore**

Phone +65 6744 3732  
E-Mail sales.gsg@sick.com

**Slovenija**

Phone +386 (0)1-47 69 990  
E-Mail office@sick.si

**South Africa**

Phone +27 11 472 3733  
E-Mail info@sickautomation.co.za

**South Korea**

Phone +82 2 786 6321/4  
E-Mail info@sickkorea.net

**Suomi**

Phone +358-9-25 15 800  
E-Mail sick@sick.fi

**Sverige**

Phone +46 10 110 10 00  
E-Mail info@sick.se

**Taiwan**

Phone +886 2 2375-6288  
E-Mail sales@sick.com.tw

**Türkiye**

Phone +90 (216) 528 50 00  
E-Mail info@sick.com.tr

**United Arab Emirates**

Phone +971 (0) 4 88 65 878  
E-Mail info@sick.ae

**USA/México**

Phone +1(952) 941-6780  
1 (800) 325-7425 – tollfree  
E-Mail info@sickusa.com

More representatives and agencies  
at [www.sick.com](http://www.sick.com)