



Photoelectric sensors  
W2S-2, Through-beam photoelectric sensor

WSE2S-2P3230



**Model Name** > [WSE2S-2P3230](#)  
**Part No.** > [1063650](#)



*Illustration may differ*

**At a glance**

- Through-beam photoelectric sensor in ultra-compact housing
- Sensing ranges of up to 2.5 m
- Response times of 0.5 ms
- Established and proven housing design

**Your benefits**

- Application flexibility when mounting in confined spaces due to a 45° cable outlet
- Safe use and high reliability due to immunity to optical interference
- Reliable universal object detection, large sensing ranges and operating reserves thanks to superior SIRIC® chip technology



**Features**

Sensor/detection principle:	Through-beam photoelectric sensor
Dimensions (W x H x D):	7.7 mm x 21.8 mm x 13.5 mm
Housing design (light emission):	Rectangular
Sensing range max.:	0 m ... 2.5 m
Sensing range:	0 m ... 2 m
Type of light:	Visible red light
Light source:	PinPoint LED <sup>1)</sup>
Wave length:	640 nm
Light spot size (distance):	Ø 65 mm (1,500 mm)

<sup>1)</sup> Average service life of 100,000 h at T<sub>A</sub> = +25 °C

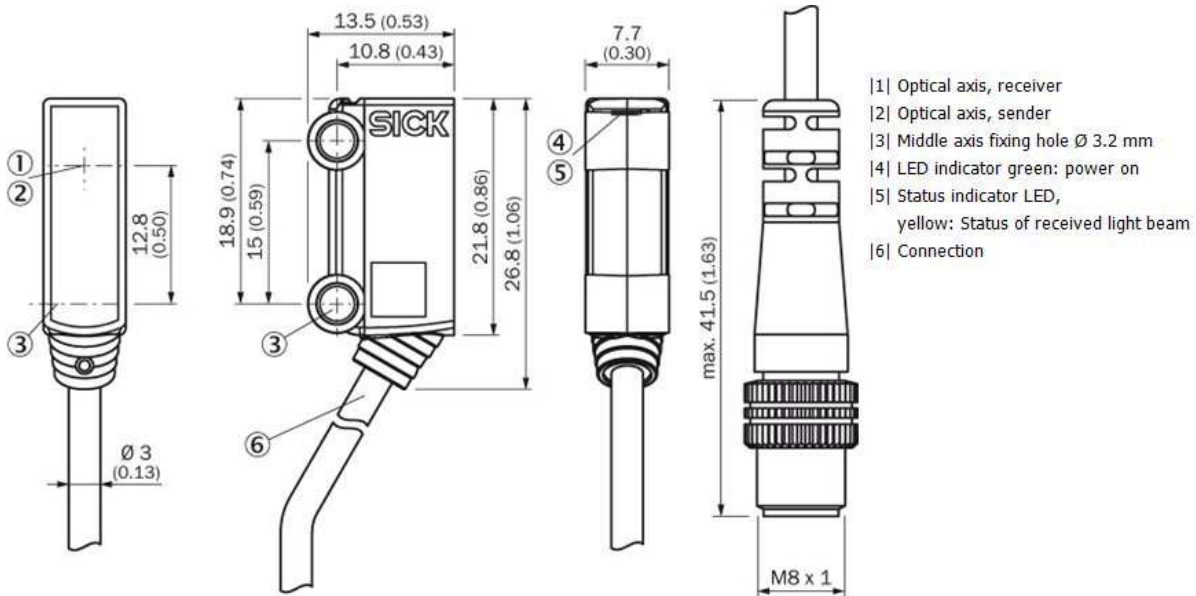
**Mechanics/electronics**

Supply voltage:	10 V DC ... 30 V DC <sup>1)</sup>
Ripple:	≤ 5 V <sub>pp</sub> <sup>2)</sup>
Power consumption:	≤ 20 mA <sup>3)</sup>
Output type:	PNP
Switching mode:	Light/dark switching
Output current I <sub>max</sub> .:	< 50 mA
Response time:	< 0.4 ms <sup>4)</sup>
Switching frequency:	1,200 Hz <sup>5)</sup>
Connection type:	Cable with connector M8, 4-pin, 200 mm <sup>6)</sup>

Cable material: PVC  
 Cable diameter: Ø 3 mm  
 Circuit protection::: A, B, D <sup>7) 8) 9)</sup>  
 Optics material: PMMA  
 Enclosure rating: IP 67  
 Ambient temperature operation: -25 °C ... +50 °C  
 Ambient storage temperature: -40 °C ... +75 °C  
 UL File No.: NRKH.E181493  
 Housing material: ABS/PC, Plastic

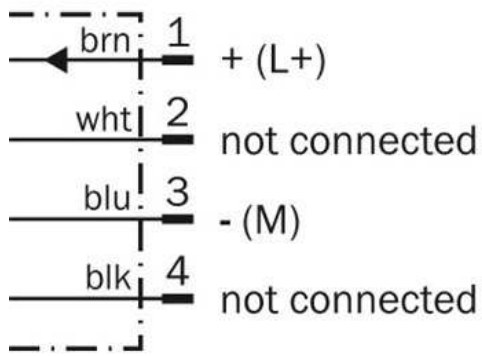
1) Limit values    2) May not exceed or fall short of  $V_S$  tolerances    3) Without load    4) Signal transit time with resistive load    5) With light/dark ratio 1:1    6) Do not bend below 0 °C    7) A =  $V_S$  connections reverse-polarity protected    8) B = output reverse-polarity protected    9) D = outputs overcurrent and short-circuit protected

### Dimensional drawing

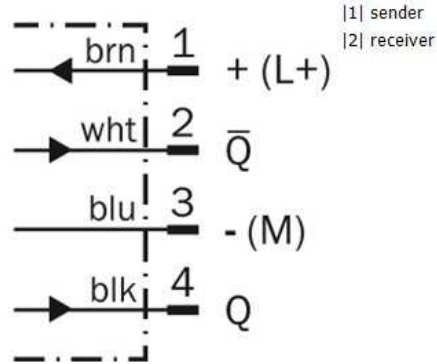


Connection diagram

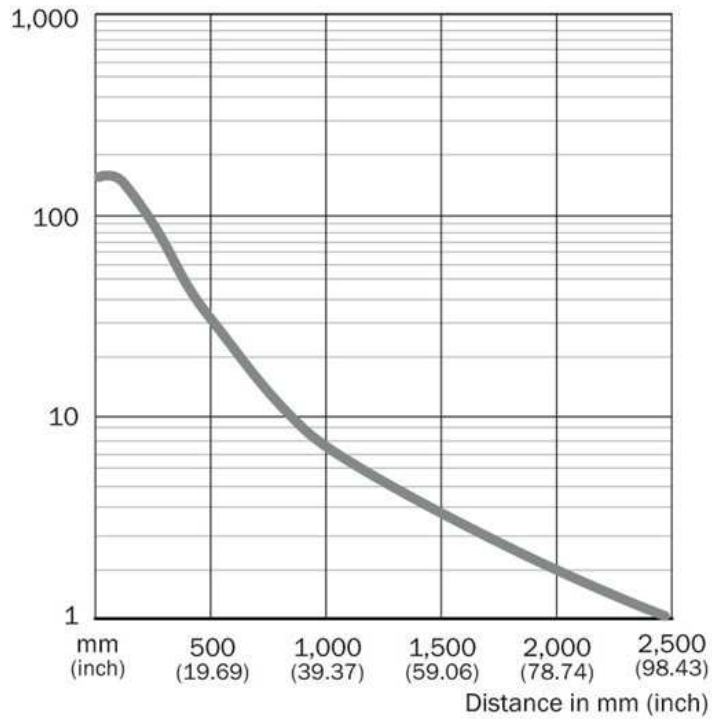
①



②

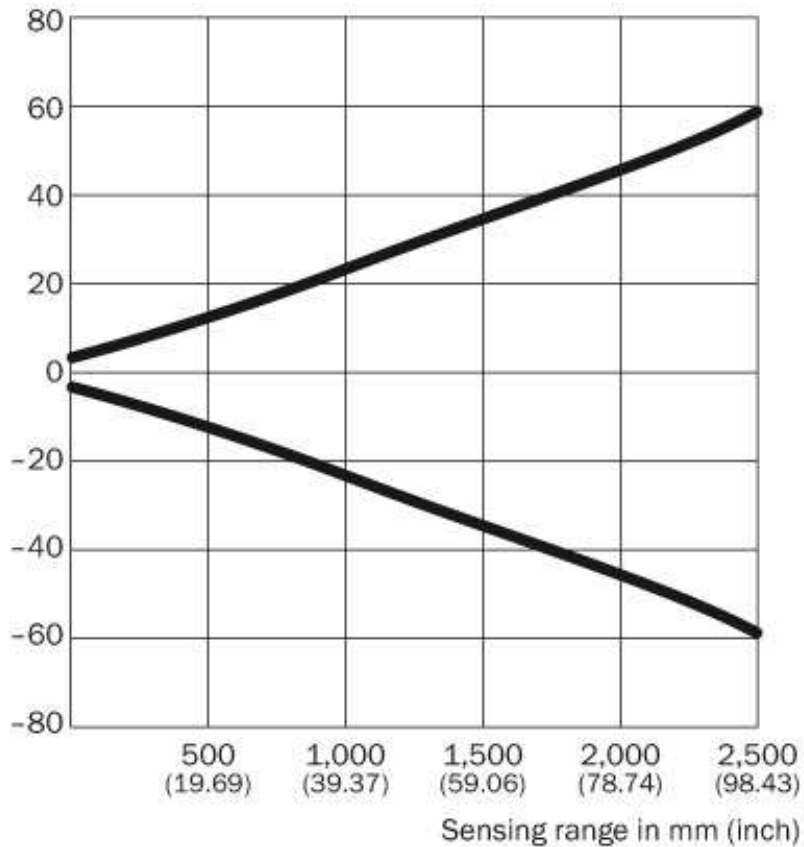


Characteristic curve



## Light spot size

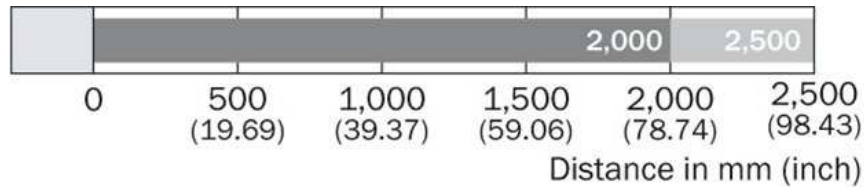
Spot diameter in mm (inch)



## Dimensions in mm (inch)

Sensing range	Spot diameter
<b>10</b> <b>(0.39)</b>	4.0 (0.16)
<b>250</b> <b>(9.84)</b>	13.0 (0.51)
<b>500</b> <b>(19.69)</b>	23.0 (0.91)
<b>1,000</b> <b>(39.37)</b>	45.0 (1.77)
<b>1,500</b> <b>(59.06)</b>	65.0 (2.56)
<b>2,500</b> <b>(98.43)</b>	116.0 (4.57)

## Sensing range diagram



■ Sensing range      ■ Sensing range max.

**Australia**

Phone +61 3 9457 0600  
1800 33 48 02 – tollfree  
E-Mail sales@sick.com.au

**Belgium/Luxembourg**

Phone +32 (0)2 466 55 66  
E-Mail info@sick.be

**Brasil**

Phone +55 11 3215-4900  
E-Mail marketing@sick.com.br

**Canada**

Phone +1 905 771 14 44  
E-Mail information@sick.com

**Česká republika**

Phone +420 2 57 91 18 50  
E-Mail sick@sick.cz

**China**

Phone +86 4000 121 000  
E-Mail info.china@sick.net.cn  
Phone +852-2153 6300  
E-Mail ghk@sick.com.hk

**Danmark**

Phone +45 45 82 64 00  
E-Mail sick@sick.dk

**Deutschland**

Phone +49 211 5301-301  
E-Mail info@sick.de

**España**

Phone +34 93 480 31 00  
E-Mail info@sick.es

**France**

Phone +33 1 64 62 35 00  
E-Mail info@sick.fr

**Great Britain**

Phone +44 (0)1727 831121  
E-Mail info@sick.co.uk

**India**

Phone +91-22-4033 8333  
E-Mail info@sick-india.com

**Israel**

Phone +972-4-6881000  
E-Mail info@sick-sensors.com

**Italia**

Phone +39 02 27 43 41  
E-Mail info@sick.it

**Japan**

Phone +81 (0)3 5309 2112  
E-Mail support@sick.jp

**Magyarország**

Phone +36 1 371 2680  
E-Mail office@sick.hu

**Nederland**

Phone +31 (0)30 229 25 44  
E-Mail info@sick.nl

**Norge**

Phone +47 67 81 50 00  
E-Mail sick@sick.no

**Österreich**

Phone +43 (0)22 36 62 28 8-0  
E-Mail office@sick.at

**Polska**

Phone +48 22 837 40 50  
E-Mail info@sick.pl

**România**

Phone +40 356 171 120  
E-Mail office@sick.ro

**Russia**

Phone +7-495-775-05-30  
E-Mail info@sick.ru

**Schweiz**

Phone +41 41 619 29 39  
E-Mail contact@sick.ch

**Singapore**

Phone +65 6744 3732  
E-Mail sales.gsg@sick.com

**Slovenija**

Phone +386 (0)1-47 69 990  
E-Mail office@sick.si

**South Africa**

Phone +27 11 472 3733  
E-Mail info@sickautomation.co.za

**South Korea**

Phone +82 2 786 6321/4  
E-Mail info@sickkorea.net

**Suomi**

Phone +358-9-25 15 800  
E-Mail sick@sick.fi

**Sverige**

Phone +46 10 110 10 00  
E-Mail info@sick.se

**Taiwan**

Phone +886 2 2375-6288  
E-Mail sales@sick.com.tw

**Türkiye**

Phone +90 (216) 528 50 00  
E-Mail info@sick.com.tr

**United Arab Emirates**

Phone +971 (0) 4 88 65 878  
E-Mail info@sick.ae

**USA/México**

Phone +1(952) 941-6780  
1 (800) 325-7425 – tollfree  
E-Mail info@sickusa.com

More representatives and agencies  
at [www.sick.com](http://www.sick.com)