



Photoelectric sensors
G2S, Photoelectric retro-reflective sensor,
Standard optics

GL2S-P1311



Model Name > **GL2S-P1311**
Part No. > **1064357**



Illustration may differ

At a glance

- Operating distance up to 3 m
- Full-grade photoelectric retro-reflective sensor with polarizing filter to detect highly reflective objects
- PinPoint LED technology is precise and fast-reacting for optimal, quick detection of a wide range of objects
- Clearly visible LED display
- Rugged metal mounting bushes ensure reliable installation and a long service life

Your benefits

- Easy alignment thanks to the small, brilliant and highly visible light spot
- High throughput and less machine and system downtime, since the sensors are pre-set and have high operating reserves
- Space-saving system, since the powerful PinPoint LED with a high light intensity permits the use of small reflectors for high sensing ranges
- The 45-degree tilted cable entry offers maximum installation flexibility with additional soft rubber bearings to absorb vibrations and tensile loads
- Installation flexibility since several sensors can be installed in close proximity to one another without causing false trips due to interference



Features

Sensor/detection principle:	Photoelectric retro-reflective sensor, Standard optics
Dimensions (W x H x D):	7.7 mm x 21.8 mm x 13.5 mm
Housing design (light emission):	Rectangular
Sensing range max.:	0.02 m ... 3 m ¹⁾
Sensing range:	0.03 m ... 2.5 m ²⁾
Type of light:	Visible red light
Light source:	PinPoint LED ³⁾
Wave length:	640 nm
Light spot size (distance):	Ø 11 mm (250 mm)

^{1) 2)} PL40A ³⁾ Average service life of 100,000 h at T_A = +25 °C

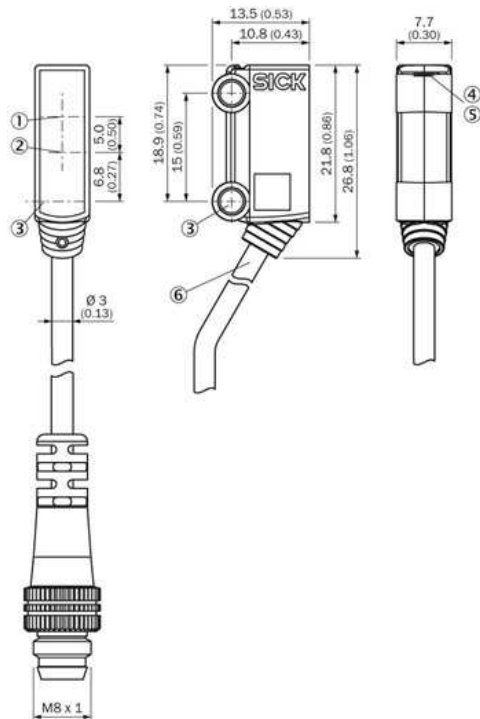
Mechanics/electronics

Supply voltage:	10 V DC ... 30 V DC ¹⁾
Ripple:	≤ 5 Vpp ²⁾
Power consumption:	≤ 20 mA ³⁾
Output type:	PNP

Switching mode:	Light switching
Output current I _{max.} :	< 50 mA
Response time:	< 0.6 ms ⁴⁾
Switching frequency:	800 Hz ⁵⁾
Connection type:	Cable, 3-wire, 2 m ⁶⁾
Cable diameter:	Ø 3 mm
Circuit protection:::	A, C, D ^{7) 8) 9)}
Polarisation filter:	✓
Optics material:	PMMA
Enclosure rating:	IP 67
Ambient temperature operation:	-25 °C ... +50 °C
Ambient storage temperature:	-40 °C ... +75 °C
UL File No.:	NRKH.E181493
Housing material:	ABS, Plastic

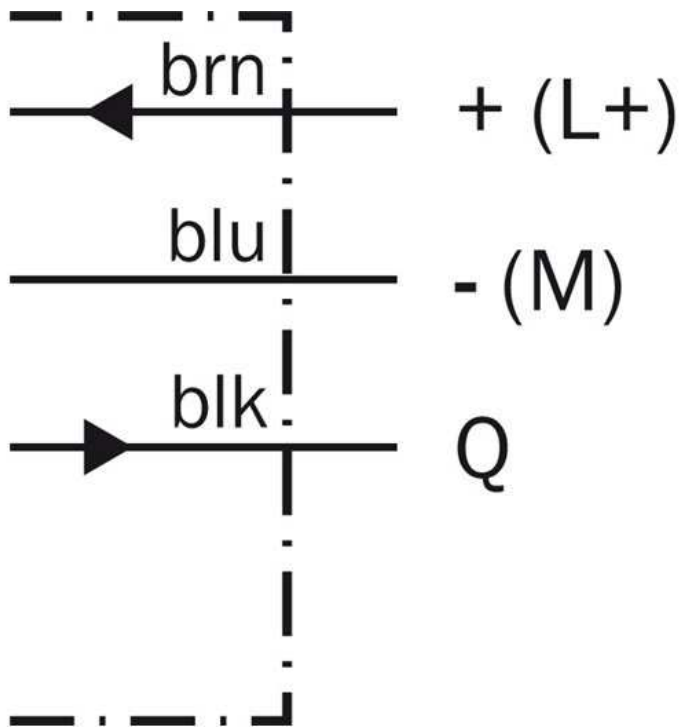
1) Limit values, operation in short-circuit protected network max. 8 A 2) May not exceed or fall short of V_S tolerances 3) Without load 4) Signal transit time with resistive load 5) With light/dark ratio 1:1 6) Do not bend below 0 °C 7) A = V_S connections reverse-polarity protected 8) C = interference suppression 9) D = outputs overcurrent and short-circuit protected

Dimensional drawing

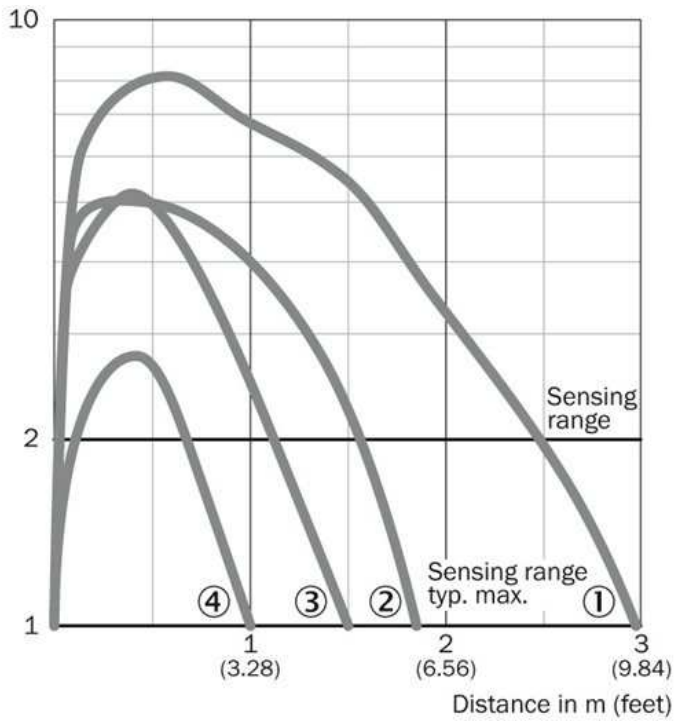


- |1| Optical axis receiver
- |2| Optical axis sender
- |3| Mounting hole, Ø 3.2 mm
- |4| Status indicator LED green: supply voltage on
- |5| Status indicator LED, yellow: Status of received light beam
- |6| Connection

Connection diagram



Characteristic curve



- |1| PL40A
- |2| PL20A
- |3| PL10F
- |4| IREF6000 (REF-IRF-56)

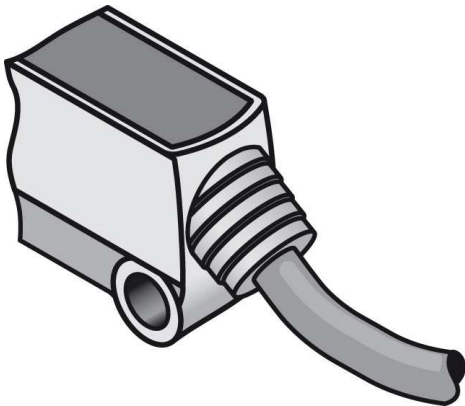
Sensing range diagram



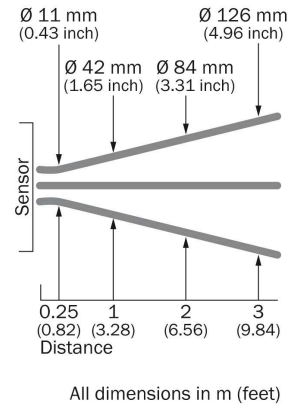
- |1| PL40A
- |2| PL20A
- |3| PL10F
- |4| IREF6000 (REF-IRF-56)

■ Sensing range ■ Sensing range typ. max.

Connection type



Light spot size



Australia

Phone +61 3 9457 0600
1800 33 48 02 – tollfree
E-Mail sales@sick.com.au

Belgium/Luxembourg

Phone +32 (0)2 466 55 66
E-Mail info@sick.be

Brasil

Phone +55 11 3215-4900
E-Mail marketing@sick.com.br

Canada

Phone +1 905 771 14 44
E-Mail information@sick.com

Česká republika

Phone +420 2 57 91 18 50
E-Mail sick@sick.cz

China

Phone +86 4000 121 000
E-Mail info.china@sick.net.cn
Phone +852-2153 6300
E-Mail ghk@sick.com.hk

Danmark

Phone +45 45 82 64 00
E-Mail sick@sick.dk

Deutschland

Phone +49 211 5301-301
E-Mail info@sick.de

España

Phone +34 93 480 31 00
E-Mail info@sick.es

France

Phone +33 1 64 62 35 00
E-Mail info@sick.fr

Great Britain

Phone +44 (0)1727 831121
E-Mail info@sick.co.uk

India

Phone +91-22-4033 8333
E-Mail info@sick-india.com

Israel

Phone +972-4-6881000
E-Mail info@sick-sensors.com

Italia

Phone +39 02 27 43 41
E-Mail info@sick.it

Japan

Phone +81 (0)3 5309 2112
E-Mail support@sick.jp

Magyarország

Phone +36 1 371 2680
E-Mail office@sick.hu

Nederland

Phone +31 (0)30 229 25 44
E-Mail info@sick.nl

Norge

Phone +47 67 81 50 00
E-Mail sick@sick.no

Österreich

Phone +43 (0)22 36 62 28 8-0
E-Mail office@sick.at

Polska

Phone +48 22 837 40 50
E-Mail info@sick.pl

România

Phone +40 356 171 120
E-Mail office@sick.ro

Russia

Phone +7-495-775-05-30
E-Mail info@sick.ru

Schweiz

Phone +41 41 619 29 39
E-Mail contact@sick.ch

Singapore

Phone +65 6744 3732
E-Mail sales.gsg@sick.com

Slovenija

Phone +386 (0)1-47 69 990
E-Mail office@sick.si

South Africa

Phone +27 11 472 3733
E-Mail info@sickautomation.co.za

South Korea

Phone +82 2 786 6321/4
E-Mail info@sickkorea.net

Suomi

Phone +358-9-25 15 800
E-Mail sick@sick.fi

Sverige

Phone +46 10 110 10 00
E-Mail info@sick.se

Taiwan

Phone +886 2 2375-6288
E-Mail sales@sick.com.tw

Türkiye

Phone +90 (216) 528 50 00
E-Mail info@sick.com.tr

United Arab Emirates

Phone +971 (0) 4 88 65 878
E-Mail info@sick.ae

USA/México

Phone +1(952) 941-6780
1 (800) 325-7425 – tollfree
E-Mail info@sickusa.com

More representatives and agencies
at www.sick.com