



safety command devices
Rope pull switches, i150RP

i150-RP224



Model Name > [i150-RP224](#)
Part No. > [1064511](#)

At a glance

- Rope lengths up to 75 m, with rope break and rope pull function
- Metal housing with integrated emergency stop push button and fault display
- Rotary unlocking lever
- Available with M20 X 1.5 cable entry gland or Flexi Loop compatible M12 plug connector (depending on variant)
- Slow-action switching elements with four contacts

Your benefits

- The emergency stop function can be triggered at any point along the rope
- The long rope length reduces the number of rope pull switches, which saves costs
- Simple adjustment of the rope tension
- Rugged metal housing offers a high level of protection for the rope pull switch
- Integrated emergency stop pushbutton allows users to trigger the emergency stop function at the end of the rope
- User-friendly systems available with many rope lengths
- Additional contacts provide quick and easy diagnostics
- With Flexi Loop: safe series connection including diagnostics with minimal wiring effort



Technical data

Type of command unit:	Rope pull switches
Housing material:	Metal
Surface treatment:	Varnished
Enclosure rating:	IP 65 (IEC 60529)
Ambient operating temperature:	-25 °C ... +80 °C
B10d parameter:	2* 1E 06 switching cycles, with small load
Switching principle:	Slow action switching element
Number of positive action N/C contacts:	2
Number of N/O contacts:	0
Number of N/O contacts, additional button:	0
Mechanical life (relay contacts):	1* 1E 06 switching cycles
Usage category:	DC-13 (IEC 60947-5-1)
Rated operating current (voltage):	2 A (24 V DC)
Maximum cord length:	75 m

Connection type:

Plug connector, M12, 4-pin

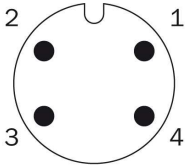
Flexi Loop-compatible plug connector:

✓

Weight:

0.84 kg

Connection diagram



1	positive action N/C contacts 11/12
2	contacts 11/12
3	positive action N/C contacts 21/22
4	contacts 21/22

Switching elements

	Rope stack	Rope tensioned	Rope pulled
Switching element 22			
Switching element 31			

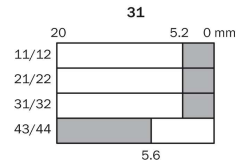
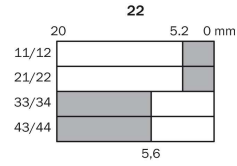
Switching element 22:

2 positive action N/C contacts + 2 N/O contact

Switching element 31:

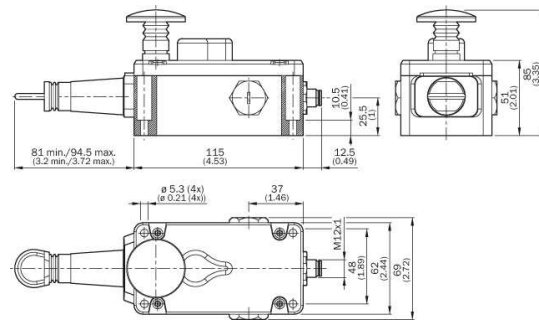
3 positive action N/C contacts + 1 N/O contact

Actuator travel diagram



□ Contacts open
 ■ Contacts closed

Dimensional drawing



Australia

Phone +61 3 9457 0600
1800 33 48 02 – tollfree
E-Mail sales@sick.com.au

Belgium/Luxembourg

Phone +32 (0)2 466 55 66
E-Mail info@sick.be

Brasil

Phone +55 11 3215-4900
E-Mail marketing@sick.com.br

Canada

Phone +1 905 771 14 44
E-Mail information@sick.com

Česká republika

Phone +420 2 57 91 18 50
E-Mail sick@sick.cz

China

Phone +86 4000 121 000
E-Mail info.china@sick.net.cn
Phone +852-2153 6300
E-Mail ghk@sick.com.hk

Danmark

Phone +45 45 82 64 00
E-Mail sick@sick.dk

Deutschland

Phone +49 211 5301-301
E-Mail info@sick.de

España

Phone +34 93 480 31 00
E-Mail info@sick.es

France

Phone +33 1 64 62 35 00
E-Mail info@sick.fr

Great Britain

Phone +44 (0)1727 831121
E-Mail info@sick.co.uk

India

Phone +91-22-4033 8333
E-Mail info@sick-india.com

Israel

Phone +972-4-6881000
E-Mail info@sick-sensors.com

Italia

Phone +39 02 27 43 41
E-Mail info@sick.it

Japan

Phone +81 (0)3 5309 2112
E-Mail support@sick.jp

Magyarország

Phone +36 1 371 2680
E-Mail office@sick.hu

Nederland

Phone +31 (0)30 229 25 44
E-Mail info@sick.nl

Norge

Phone +47 67 81 50 00
E-Mail sick@sick.no

Österreich

Phone +43 (0)22 36 62 28 8-0
E-Mail office@sick.at

Polska

Phone +48 22 837 40 50
E-Mail info@sick.pl

România

Phone +40 356 171 120
E-Mail office@sick.ro

Russia

Phone +7-495-775-05-30
E-Mail info@sick.ru

Schweiz

Phone +41 41 619 29 39
E-Mail contact@sick.ch

Singapore

Phone +65 6744 3732
E-Mail sales.gsg@sick.com

Slovenija

Phone +386 (0)1-47 69 990
E-Mail office@sick.si

South Africa

Phone +27 11 472 3733
E-Mail info@sickautomation.co.za

South Korea

Phone +82 2 786 6321/4
E-Mail info@sickkorea.net

Suomi

Phone +358-9-25 15 800
E-Mail sick@sick.fi

Sverige

Phone +46 10 110 10 00
E-Mail info@sick.se

Taiwan

Phone +886 2 2375-6288
E-Mail sales@sick.com.tw

Türkiye

Phone +90 (216) 528 50 00
E-Mail info@sick.com.tr

United Arab Emirates

Phone +971 (0) 4 88 65 878
E-Mail info@sick.ae

USA/México

Phone +1(952) 941-6780
1 (800) 325-7425 – tollfree
E-Mail info@sickusa.com

More representatives and agencies
at www.sick.com