



Photoelectric sensors
W2S-2, Through-beam photoelectric sensor

WSE2S-2E1330



Model Name > [WSE2S-2E1330](#)
Part No. > [1064586](#)



Illustration may differ

At a glance

- Through-beam photoelectric sensor in ultra-compact housing
- Sensing ranges of up to 2.5 m
- Response times of 0.5 ms
- Established and proven housing design

Your benefits

- Application flexibility when mounting in confined spaces due to a 45° cable outlet
- Safe use and high reliability due to immunity to optical interference
- Reliable universal object detection, large sensing ranges and operating reserves thanks to superior SIRIC® chip technology



Features

Sensor/detection principle:	Through-beam photoelectric sensor
Dimensions (W x H x D):	7.7 mm x 21.8 mm x 13.5 mm
Housing design (light emission):	Rectangular
Sensing range max.:	0 m ... 2.5 m
Sensing range:	0 m ... 2 m
Type of light:	Visible red light
Light source:	PinPoint LED ¹⁾
Wave length:	640 nm
Light spot size (distance):	Ø 65 mm (1,500 mm)

¹⁾ Average service life of 100,000 h at T_A = +25 °C

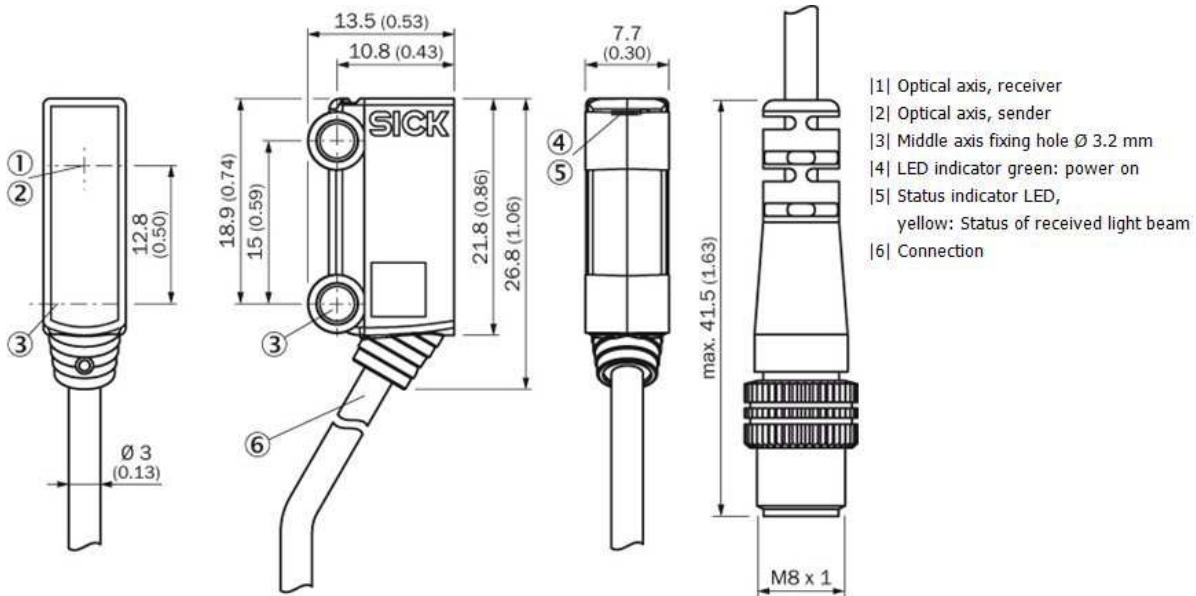
Mechanics/electronics

Supply voltage:	10 V DC ... 30 V DC ¹⁾
Ripple:	≤ 5 V _{pp} ²⁾
Power consumption:	≤ 20 mA ³⁾
Output type:	NPN
Switching mode:	Dark switching
Output current I _{max.} :	< 50 mA
Response time:	< 0.4 ms ⁴⁾
Switching frequency:	1,200 Hz ⁵⁾
Connection type:	Cable, 3-wire, 2 m ⁶⁾

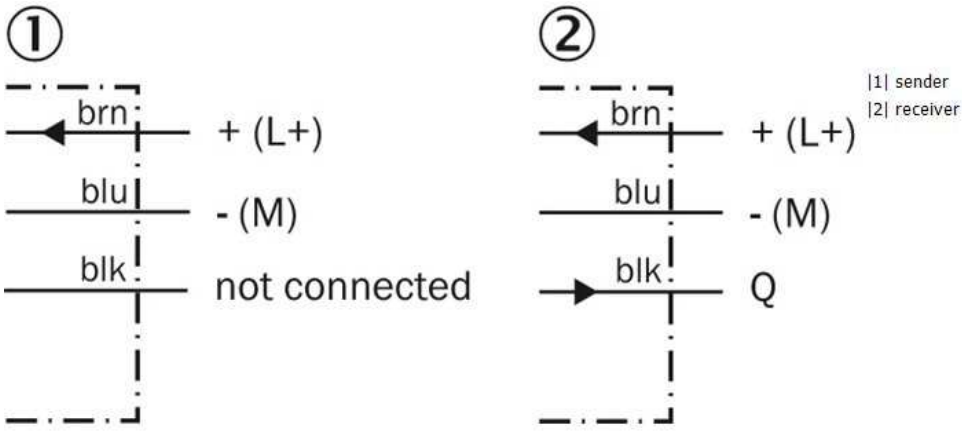
Cable material: PVC
 Cable diameter: Ø 3 mm
 Circuit protection::: A, B, D ^{7) 8) 9)}
 Optics material: PMMA
 Enclosure rating: IP 67
 Ambient temperature operation: -25 °C ... +50 °C
 Ambient storage temperature: -40 °C ... +75 °C
 UL File No.: NRKH.E181493
 Housing material: ABS/PC, Plastic

¹⁾ Limit values ²⁾ May not exceed or fall short of V_S tolerances ³⁾ Without load ⁴⁾ Signal transit time with resistive load ⁵⁾ With light/dark ratio 1:1 ⁶⁾ Do not bend below 0 °C ⁷⁾ A = V_S connections reverse-polarity protected ⁸⁾ B = output reverse-polarity protected ⁹⁾ D = outputs overcurrent and short-circuit protected

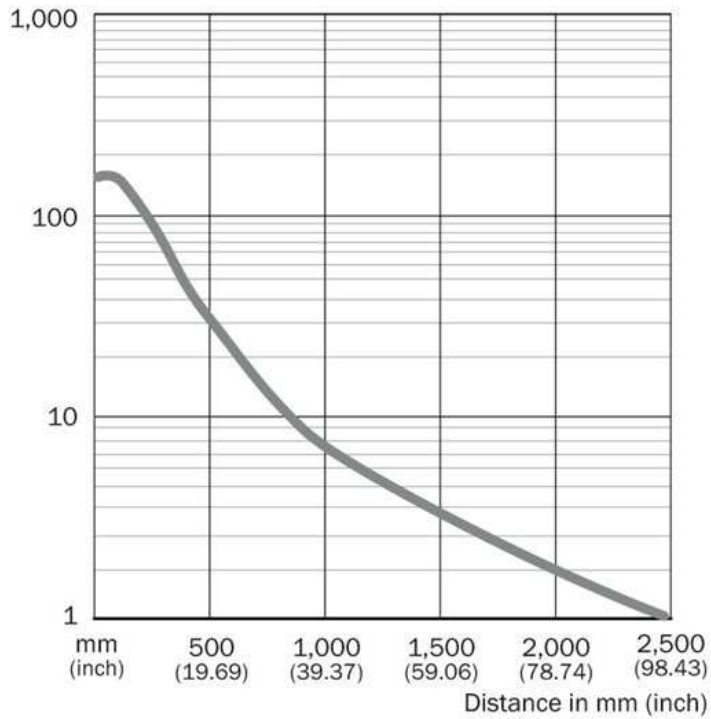
Dimensional drawing



Connection diagram

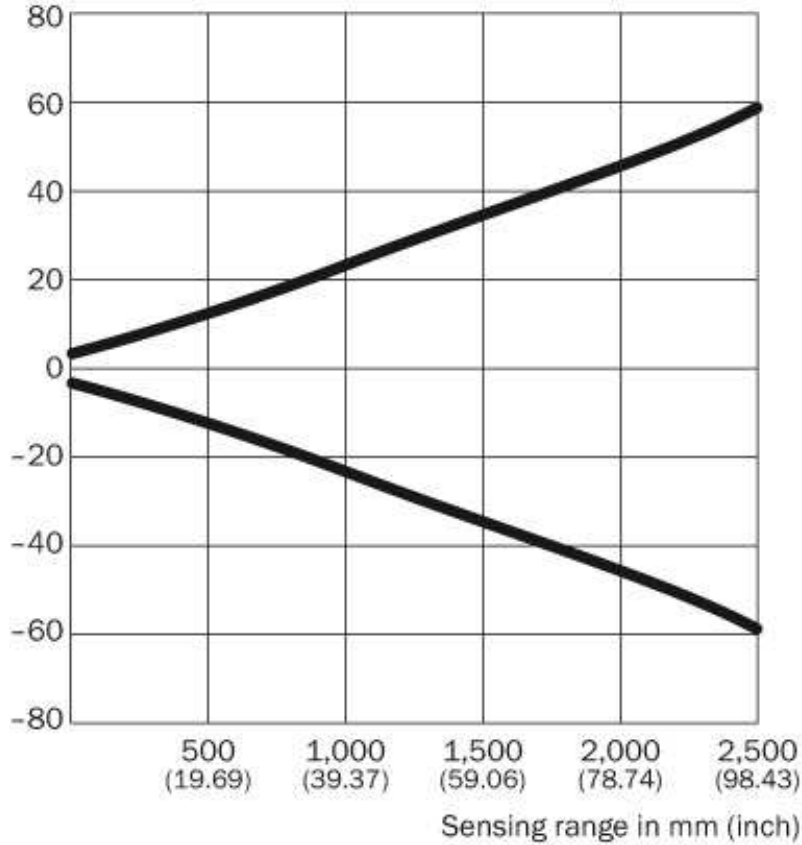


Characteristic curve



Light spot size

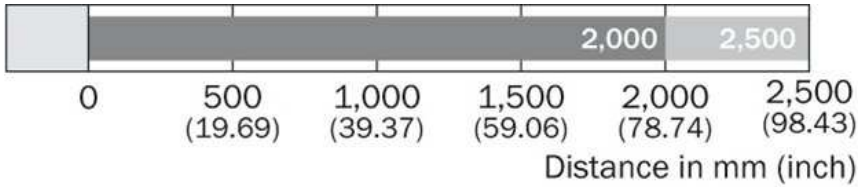
Spot diameter in mm (inch)



Dimensions in mm (inch)

Sensing range	Spot diameter
10 (0.39)	4.0 (0.16)
250 (9.84)	13.0 (0.51)
500 (19.69)	23.0 (0.91)
1,000 (39.37)	45.0 (1.77)
1,500 (59.06)	65.0 (2.56)
2,500 (98.43)	116.0 (4.57)

Sensing range diagram



■ Sensing range ■ Sensing range max.

Australia

Phone +61 3 9457 0600
1800 33 48 02 – tollfree
E-Mail sales@sick.com.au

Belgium/Luxembourg

Phone +32 (0)2 466 55 66
E-Mail info@sick.be

Brasil

Phone +55 11 3215-4900
E-Mail marketing@sick.com.br

Canada

Phone +1 905 771 14 44
E-Mail information@sick.com

Česká republika

Phone +420 2 57 91 18 50
E-Mail sick@sick.cz

China

Phone +86 4000 121 000
E-Mail info.china@sick.net.cn
Phone +852-2153 6300
E-Mail ghk@sick.com.hk

Danmark

Phone +45 45 82 64 00
E-Mail sick@sick.dk

Deutschland

Phone +49 211 5301-301
E-Mail info@sick.de

España

Phone +34 93 480 31 00
E-Mail info@sick.es

France

Phone +33 1 64 62 35 00
E-Mail info@sick.fr

Great Britain

Phone +44 (0)1727 831121
E-Mail info@sick.co.uk

India

Phone +91-22-4033 8333
E-Mail info@sick-india.com

Israel

Phone +972-4-6881000
E-Mail info@sick-sensors.com

Italia

Phone +39 02 27 43 41
E-Mail info@sick.it

Japan

Phone +81 (0)3 5309 2112
E-Mail support@sick.jp

Magyarország

Phone +36 1 371 2680
E-Mail office@sick.hu

Nederland

Phone +31 (0)30 229 25 44
E-Mail info@sick.nl

Norge

Phone +47 67 81 50 00
E-Mail sick@sick.no

Österreich

Phone +43 (0)22 36 62 28 8-0
E-Mail office@sick.at

Polska

Phone +48 22 837 40 50
E-Mail info@sick.pl

România

Phone +40 356 171 120
E-Mail office@sick.ro

Russia

Phone +7-495-775-05-30
E-Mail info@sick.ru

Schweiz

Phone +41 41 619 29 39
E-Mail contact@sick.ch

Singapore

Phone +65 6744 3732
E-Mail sales.gsg@sick.com

Slovenija

Phone +386 (0)1-47 69 990
E-Mail office@sick.si

South Africa

Phone +27 11 472 3733
E-Mail info@sickautomation.co.za

South Korea

Phone +82 2 786 6321/4
E-Mail info@sickkorea.net

Suomi

Phone +358-9-25 15 800
E-Mail sick@sick.fi

Sverige

Phone +46 10 110 10 00
E-Mail info@sick.se

Taiwan

Phone +886 2 2375-6288
E-Mail sales@sick.com.tw

Türkiye

Phone +90 (216) 528 50 00
E-Mail info@sick.com.tr

United Arab Emirates

Phone +971 (0) 4 88 65 878
E-Mail info@sick.ae

USA/México

Phone +1(952) 941-6780
1 (800) 325-7425 – tollfree
E-Mail info@sickusa.com

More representatives and agencies
at www.sick.com