



Magnetic Cylinder Sensors Sensors for T-slot cylinders

MZT6-03VPS-KUD



Model Name > **MZT6-03VPS-KUD**
Part No. > **1064723**



At a glance

- Compact housing design
- Combined Allen and flathead installation screw
- LED function indicator
- For all commonly used cylinders with T-slots, e.g., Festo or SMC and it can be applied to multiple cylinders types such as round, tie-rod, integrated profile or dove-tail cylinders with mounting brackets

Your benefits

- Reduced maintenance cost as the sensor keeps its position under shock and vibration and does not move out
- Convenient installation and sensor replacement due to drop-in installation - installer does not need to disassemble the cylinder from the machine for sensor replacement.
- Flexible installation via Allen wrench or flathead screwdriver
- Leakproof design with high resistance to liquids increases application reliability



Features

Switching frequency typ.:	± 1,000 Hz
Output type:	PNP
Output function:	NO
Electrical wiring:	DC 3-wire
Cylinder type:	T-slot
Cylinder types with adapter:	Profile cylinder Roundbody cylinder SMC rail cylinder CDQ2 SMC rail cylinder ECDQ2 Tie rod cylinder Cylinders with dovetail slots
Housing length:	31.5 mm
Enclosure rating:	IP 67

¹⁾ According to EN 60529

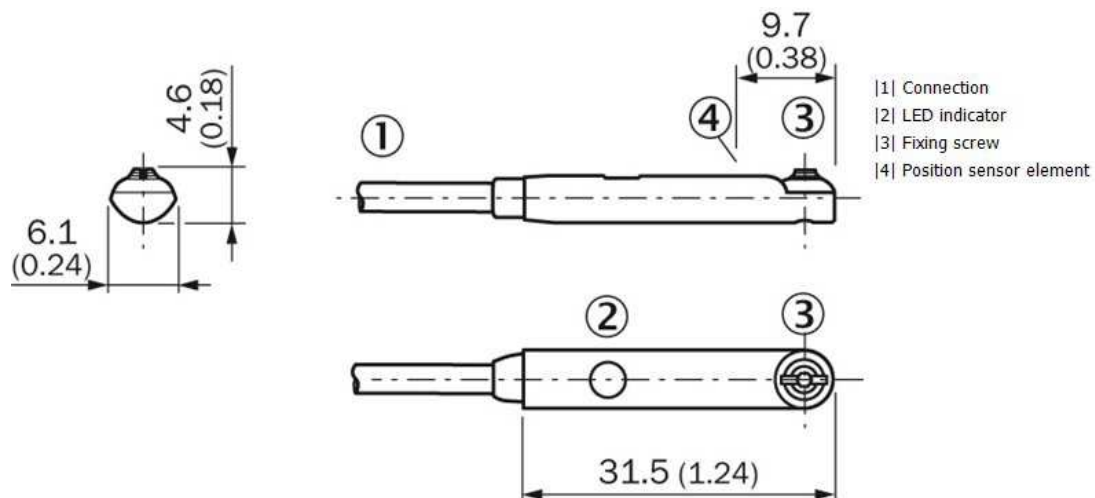
Mechanics/electronics

Connection type:	Cable, 3-wire, 10 m
Supply voltage:	18 V DC ... 30 V DC
Power consumption:	≤ 10 mA ¹⁾
Voltage drop:	≤ 2.2 V

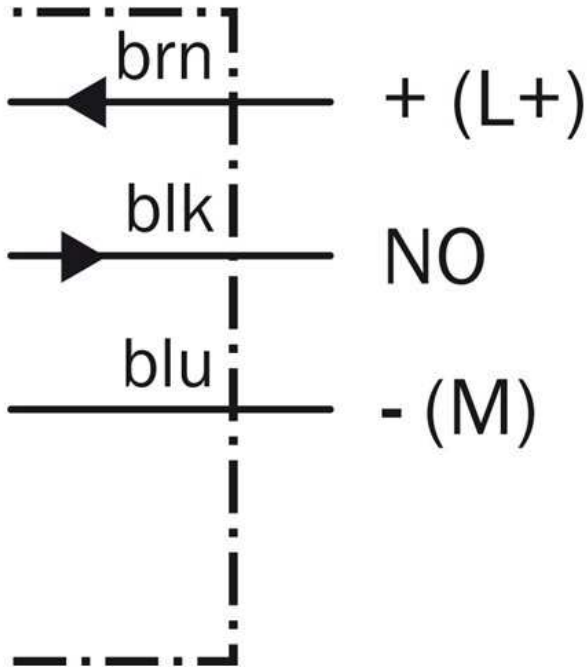
Output current I _a :	≤ 70 mA
EMC:	According to EN 60947-5-2
Cable material:	PUR/PVC
Conductor cross-section:	0.14 mm ²
Reverse polarity protection:	✓
Short-circuit protection:	✓
Housing material:	Plastic
Power-up pulse protection:	✓
Repeatability:	≤ 0.1 mT ²⁾
Overrun distance typ.:	3 mm
Shock and vibration resistance:	30 g, 11 ms/10 ... 55 Hz, 1 mm
Ambient temperature operation:	-20 °C ... +45 °C
Protection class:	III
Hysteresis typ.:	≤ 0.5 mT
Magnetic field sensitivity, typ.:	2.6 mT

1) Without load 2) U_b and T_a constant

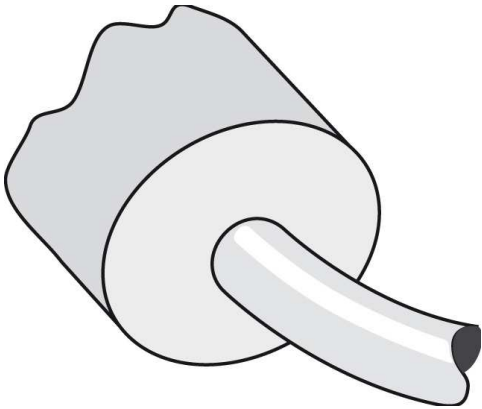
Dimensional drawing



Connection diagram



Connection type



Australia

Phone +61 3 9457 0600
1800 33 48 02 – tollfree
E-Mail sales@sick.com.au

Belgium/Luxembourg

Phone +32 (0)2 466 55 66
E-Mail info@sick.be

Brasil

Phone +55 11 3215-4900
E-Mail marketing@sick.com.br

Canada

Phone +1 905 771 14 44
E-Mail information@sick.com

Česká republika

Phone +420 2 57 91 18 50
E-Mail sick@sick.cz

China

Phone +86 4000 121 000
E-Mail info.china@sick.net.cn
Phone +852-2153 6300
E-Mail ghk@sick.com.hk

Danmark

Phone +45 45 82 64 00
E-Mail sick@sick.dk

Deutschland

Phone +49 211 5301-301
E-Mail info@sick.de

España

Phone +34 93 480 31 00
E-Mail info@sick.es

France

Phone +33 1 64 62 35 00
E-Mail info@sick.fr

Great Britain

Phone +44 (0)1727 831121
E-Mail info@sick.co.uk

India

Phone +91-22-4033 8333
E-Mail info@sick-india.com

Israel

Phone +972-4-6881000
E-Mail info@sick-sensors.com

Italia

Phone +39 02 27 43 41
E-Mail info@sick.it

Japan

Phone +81 (0)3 5309 2112
E-Mail support@sick.jp

Magyarország

Phone +36 1 371 2680
E-Mail office@sick.hu

Nederland

Phone +31 (0)30 229 25 44
E-Mail info@sick.nl

Norge

Phone +47 67 81 50 00
E-Mail sick@sick.no

Österreich

Phone +43 (0)22 36 62 28 8-0
E-Mail office@sick.at

Polska

Phone +48 22 837 40 50
E-Mail info@sick.pl

România

Phone +40 356 171 120
E-Mail office@sick.ro

Russia

Phone +7-495-775-05-30
E-Mail info@sick.ru

Schweiz

Phone +41 41 619 29 39
E-Mail contact@sick.ch

Singapore

Phone +65 6744 3732
E-Mail sales.gsg@sick.com

Slovenija

Phone +386 (0)1-47 69 990
E-Mail office@sick.si

South Africa

Phone +27 11 472 3733
E-Mail info@sickautomation.co.za

South Korea

Phone +82 2 786 6321/4
E-Mail info@sickkorea.net

Suomi

Phone +358-9-25 15 800
E-Mail sick@sick.fi

Sverige

Phone +46 10 110 10 00
E-Mail info@sick.se

Taiwan

Phone +886 2 2375-6288
E-Mail sales@sick.com.tw

Türkiye

Phone +90 (216) 528 50 00
E-Mail info@sick.com.tr

United Arab Emirates

Phone +971 (0) 4 88 65 878
E-Mail info@sick.ae

USA/México

Phone +1(952) 941-6780
1 (800) 325-7425 – tollfree
E-Mail info@sickusa.com

More representatives and agencies
at www.sick.com