



Optical data transmission ISD400, ISD400 Pro

ISD400-7211



Model Name > [ISD400-7211](#)
Part No. > [1065100](#)



At a glance

- PROFIBUS DP interface for the ISD400 Core
- Protocol-free Fast Ethernet interface for the ISD400 Pro
- Fast Ethernet with a transmission rate of 100 Mbps for the ISD400 Pro
- Connection and operation without opening the device
- Version with heating for use in temperatures as low as -40 °C

Your benefits

- An integrated optical and electronic alignment aid supports fast and cost-effective commissioning
- Wide operating temperature range guarantees high system throughput, even in cold stores
- Integrated PROFIBUS DP repeater for the ISD400 Core for cost-effective and straightforward multi-master configuration
- Output of operating parameters and status information via display and switching output in the ISD400 Pro to prevent unexpected failures



Performance

Light source:	Laser, infrared (785 nm), Laser, red (660 nm)
Heating:	-
Typ. light spot size (distance):	1.75 m (at 100 m)
Transmission range:	0.2 m ... 150 m
Field of view:	1 ° (sender), 1.5 ° (receiver)
Laser class:	1M

Interfaces

Data transmission rate:	100 Mbit/s
Output type:	HIGH: U _v - 3 V, LOW: < 2 V
Switching input:	V _s : sender deactivated
Data interface:	Ethernet

Mechanics/electronics

Supply voltage V _s :	DC 18 V ... 30 V
Weight:	Ca. 800 g
Housing material:	AlSi12
Connection type:	1 x Ethernet female connector M12, 4-pin, D-coded 1 x power supply male connector M12, 4-pin, A-coded

Frequency: F1
 Power consumption: $\leq 3.6 \text{ W}^{1)}$

¹⁾ Without load

Ambient data

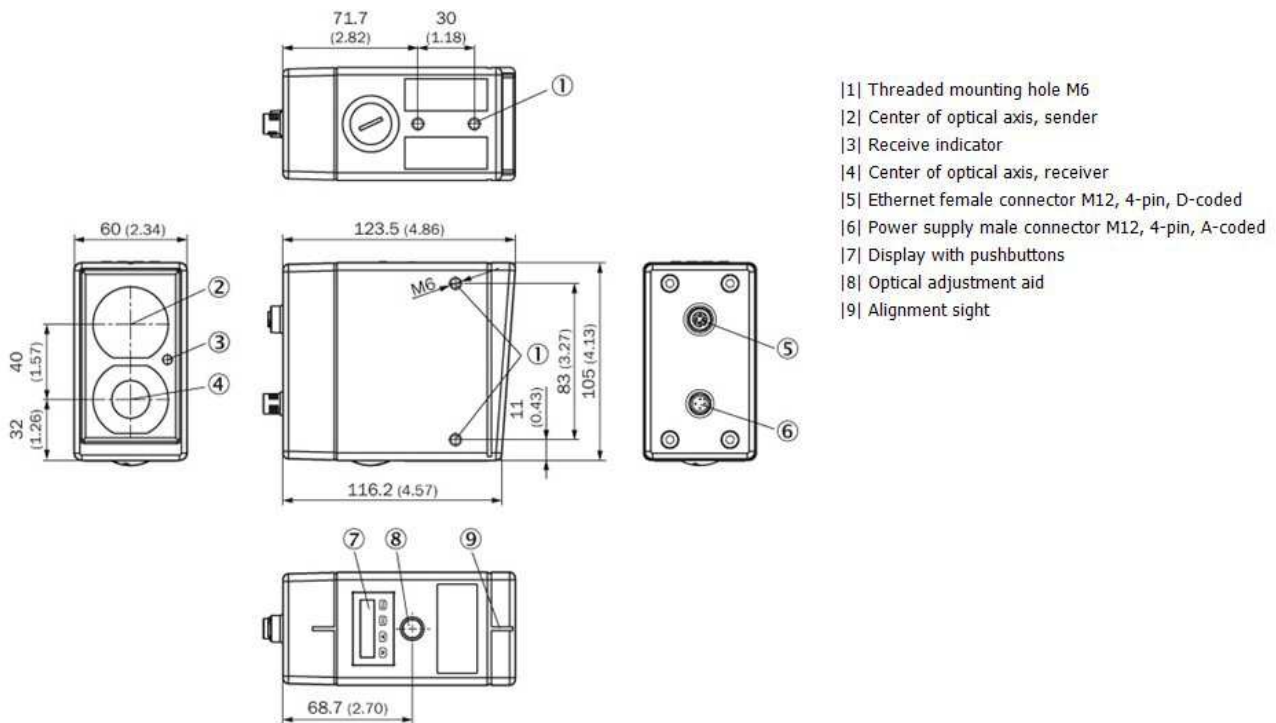
Enclosure rating: IP 65
 Protection class: III
 Electromagnetic compatibility (EMC): EN 61000-6-2/EN 61000-6-4 ¹⁾
 Ambient temperature operation: -20 °C ... +55 °C
 Storage temperature: -40 °C ... +75 °C
 Max. rel. humidity (not condensing): 90 %, non-condensing

¹⁾ This is a Class A device. This device can cause radio interference in living quarters.

General notes

Note: Setting up a data transmission path requires a pair of devices, where one device has frequency F1 (ISD400-7xx1) and the other device has frequency F2 (ISD400-7xx2).

Dimensional drawing

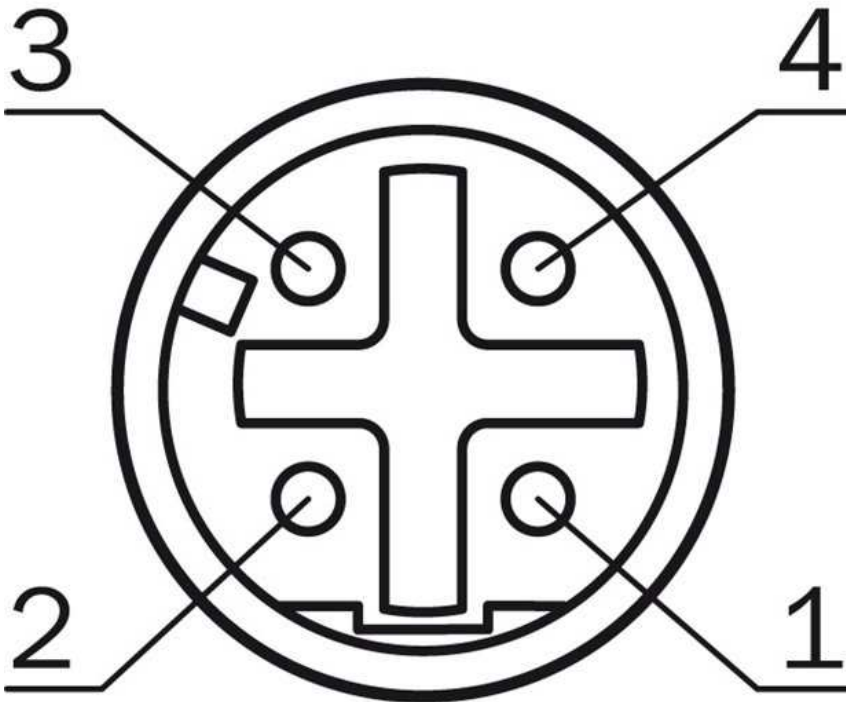


Adjustments

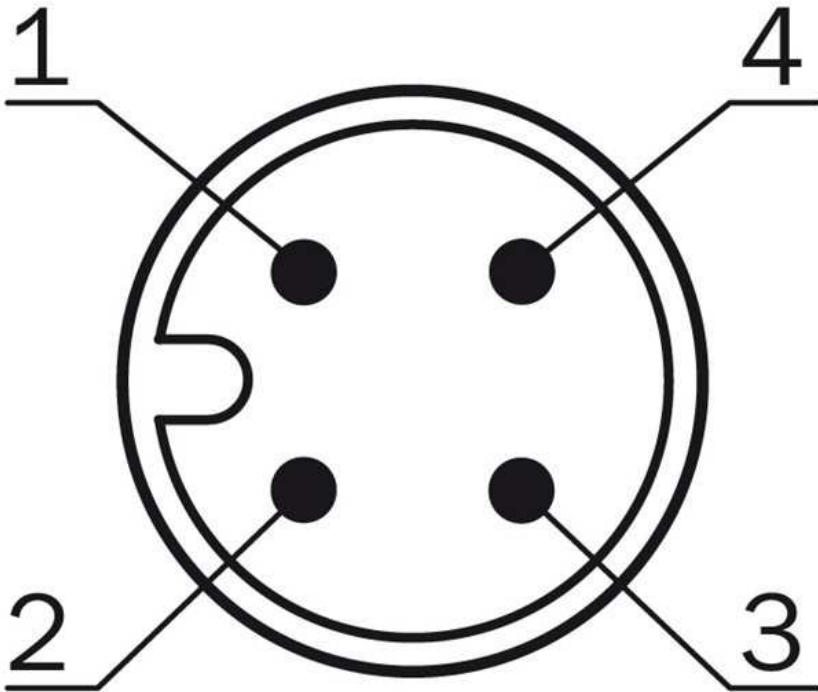


|6| Liquid crystal display with funktion keys

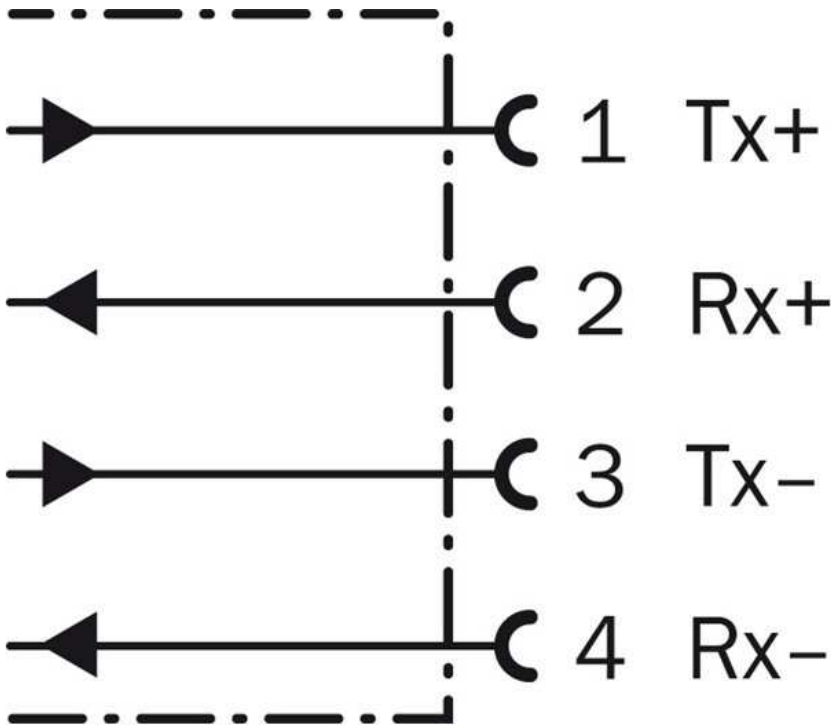
Connection type Ethernet



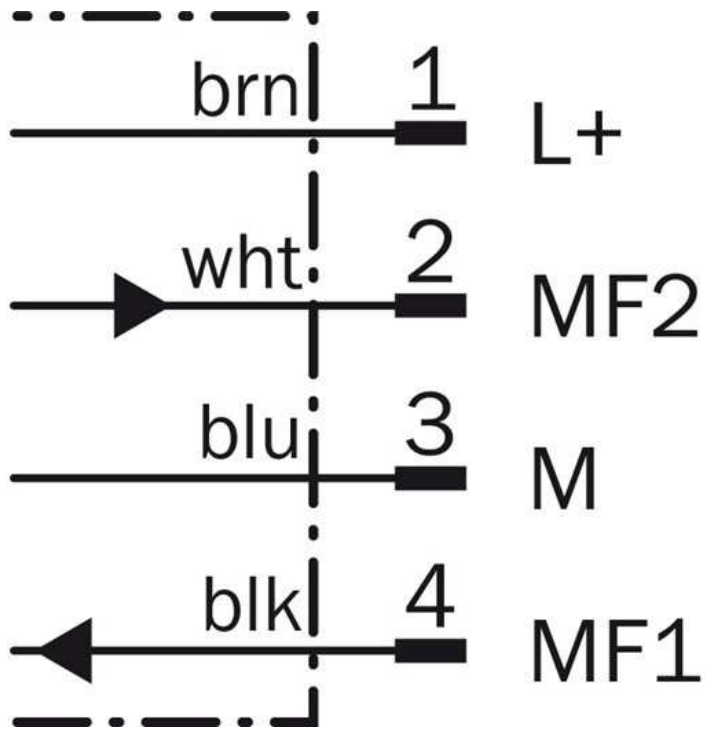
Connection type supply voltage



Connection diagram Ethernet



Connection diagram power supply



Australia

Phone +61 3 9457 0600
1800 33 48 02 – tollfree
E-Mail sales@sick.com.au

Belgium/Luxembourg

Phone +32 (0)2 466 55 66
E-Mail info@sick.be

Brasil

Phone +55 11 3215-4900
E-Mail marketing@sick.com.br

Canada

Phone +1 905 771 14 44
E-Mail information@sick.com

Česká republika

Phone +420 2 57 91 18 50
E-Mail sick@sick.cz

China

Phone +86 4000 121 000
E-Mail info.china@sick.net.cn
Phone +852-2153 6300
E-Mail ghk@sick.com.hk

Danmark

Phone +45 45 82 64 00
E-Mail sick@sick.dk

Deutschland

Phone +49 211 5301-301
E-Mail info@sick.de

España

Phone +34 93 480 31 00
E-Mail info@sick.es

France

Phone +33 1 64 62 35 00
E-Mail info@sick.fr

Great Britain

Phone +44 (0)1727 831121
E-Mail info@sick.co.uk

India

Phone +91-22-4033 8333
E-Mail info@sick-india.com

Israel

Phone +972-4-6881000
E-Mail info@sick-sensors.com

Italia

Phone +39 02 27 43 41
E-Mail info@sick.it

Japan

Phone +81 (0)3 5309 2112
E-Mail support@sick.jp

Magyarország

Phone +36 1 371 2680
E-Mail office@sick.hu

Nederland

Phone +31 (0)30 229 25 44
E-Mail info@sick.nl

Norge

Phone +47 67 81 50 00
E-Mail sick@sick.no

Österreich

Phone +43 (0)22 36 62 28 8-0
E-Mail office@sick.at

Polska

Phone +48 22 837 40 50
E-Mail info@sick.pl

România

Phone +40 356 171 120
E-Mail office@sick.ro

Russia

Phone +7-495-775-05-30
E-Mail info@sick.ru

Schweiz

Phone +41 41 619 29 39
E-Mail contact@sick.ch

Singapore

Phone +65 6744 3732
E-Mail sales.gsg@sick.com

Slovenija

Phone +386 (0)1-47 69 990
E-Mail office@sick.si

South Africa

Phone +27 11 472 3733
E-Mail info@sickautomation.co.za

South Korea

Phone +82 2 786 6321/4
E-Mail info@sickkorea.net

Suomi

Phone +358-9-25 15 800
E-Mail sick@sick.fi

Sverige

Phone +46 10 110 10 00
E-Mail info@sick.se

Taiwan

Phone +886 2 2375-6288
E-Mail sales@sick.com.tw

Türkiye

Phone +90 (216) 528 50 00
E-Mail info@sick.com.tr

United Arab Emirates

Phone +971 (0) 4 88 65 878
E-Mail info@sick.ae

USA/México

Phone +1(952) 941-6780
1 (800) 325-7425 – tollfree
E-Mail info@sickusa.com

More representatives and agencies
at www.sick.com